



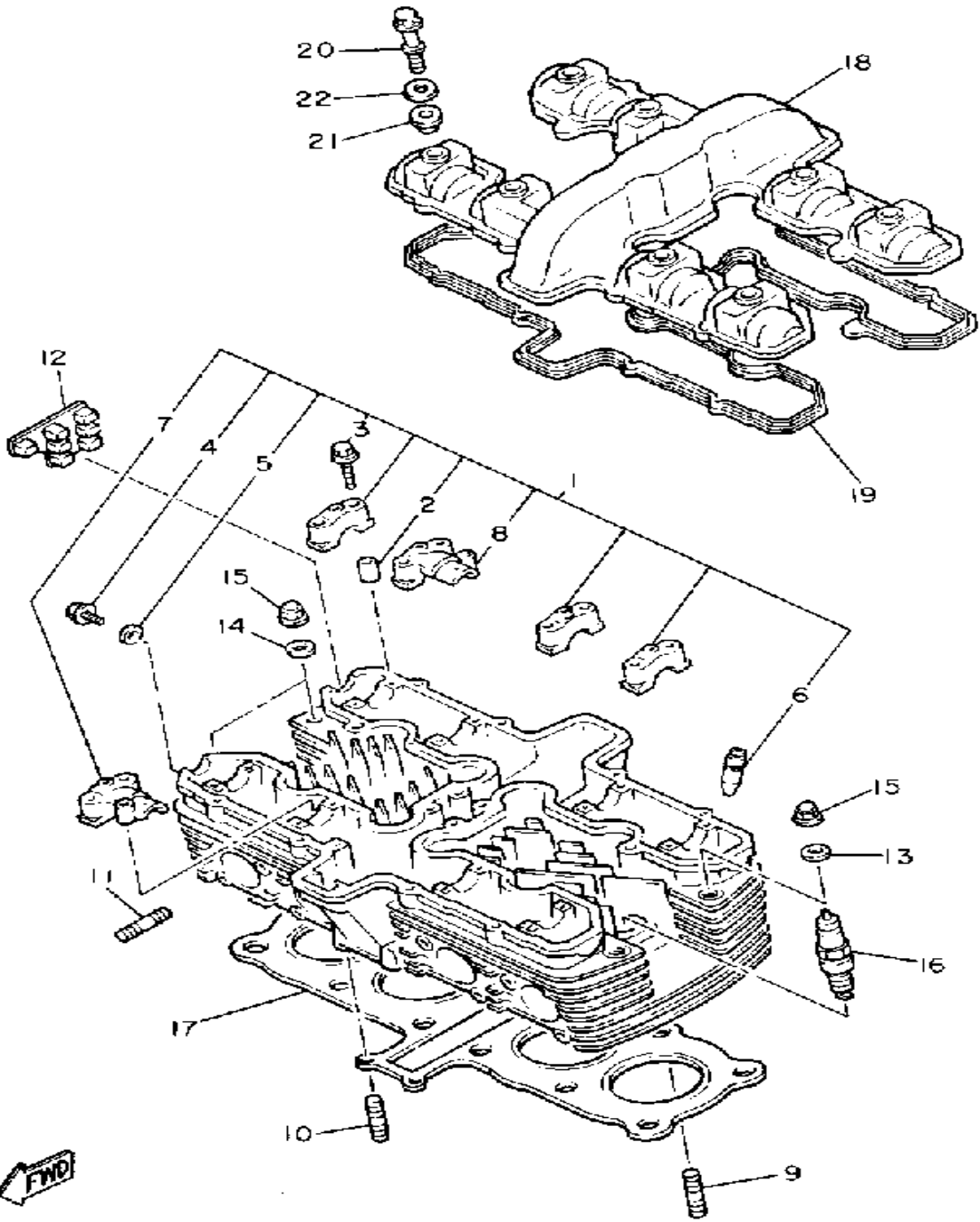
**YAMAHA**

**GENUINE**

**PARTS CATALOGUE**

**MOTORCYCLE**

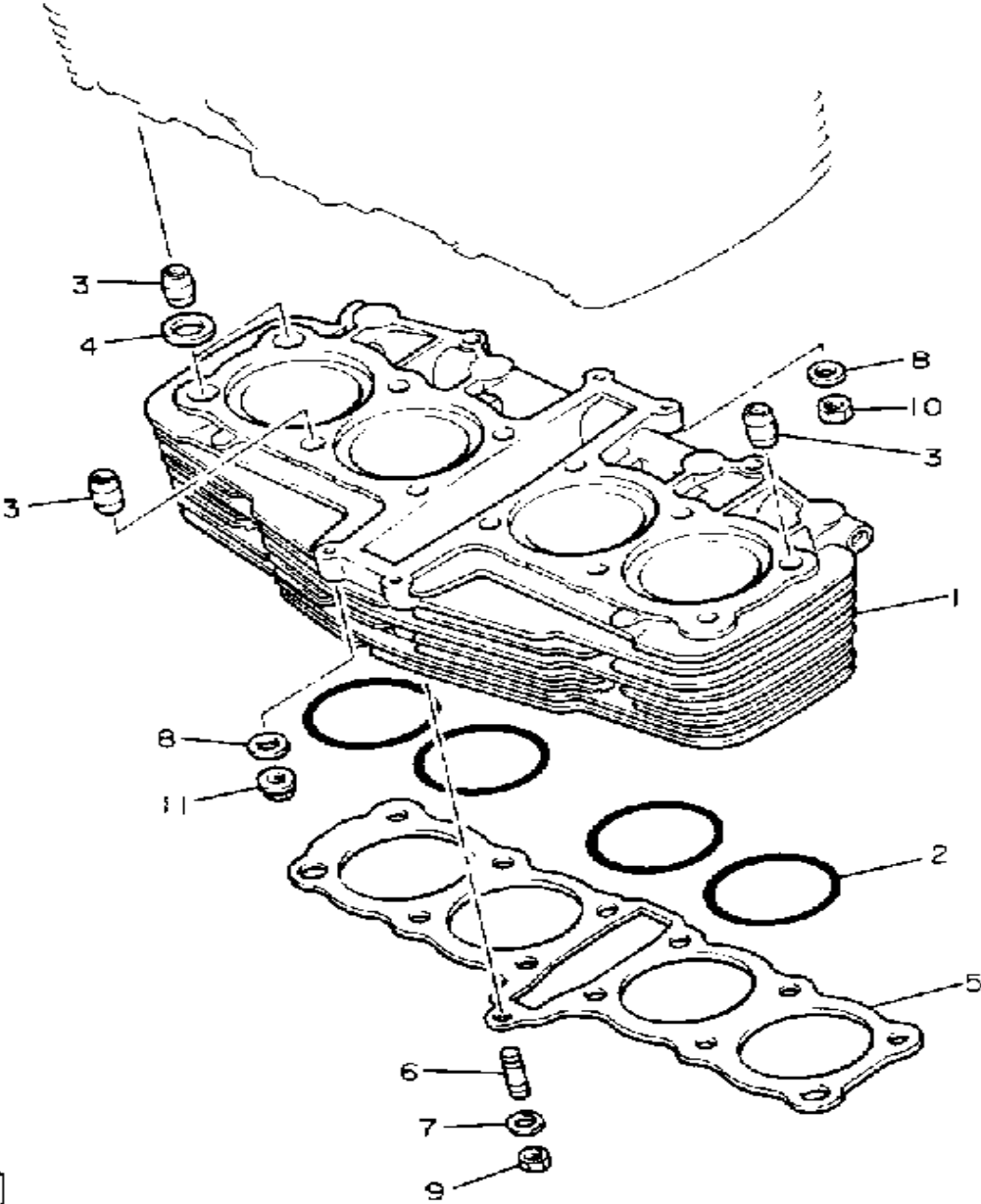
# CYLINDER HEAD



3CV1310-B010

Ref. No.	Part Number	Description	Qty	Remarks
1	36Y-11101-02-00	CYLINDER HEAD ASSEMBLY	1	
2	99510-08016-00	. PIN, DOWEL	16	
3	90105-06305-00	. BOLT, WASHER BASED	18	
4	90153-06045-00	. SCREW, HEXAGON	1	
5	90430-06014-00	. GASKET	1	
6	36Y-11133-10-00	. GDE, INTK VLV 1 O/S	16	
7	36Y-12193-10-00	. CAP, CAMSHAFT 3	1	
8	36Y-12178-10-00	. CAP, CAMSHAFT 4	1	
9	95612-06625-00	BOLT, STUD	2	
10	95611-06630-00	BOLT, STUD	2	
11	95611-08635-00	BOLT, STUD	8	
12	3XW-11161-00-00	ABSORBER 1	1	
13	90201-102G9-00	WASHER, PLATE	10	
14	90201-10128-00	WASHER, PLATE	2	
15	90176-10053-00	NUT, CROWN	12	
16	NGK-DP8EA-90-00	PLUG, SPARK (NGK DP8EA-9)	4	
17	1TX-11181-00-00	GASKET, CYLINDER HEAD 1CYLINDER HEAD 1	1	
18	36Y-11191-01-00	COVER, CYLINDER.HEAD 1	1	
19	36Y-11193-00-00	GASKET, HD.COVER 1	1	
20	90109-064F0-00	BOLT	8	
21	2GH-1111G-00-00	RUBBER, MOUNT 1	8	
22	90209-11262-00	WASHER	8	

# CYLINDER

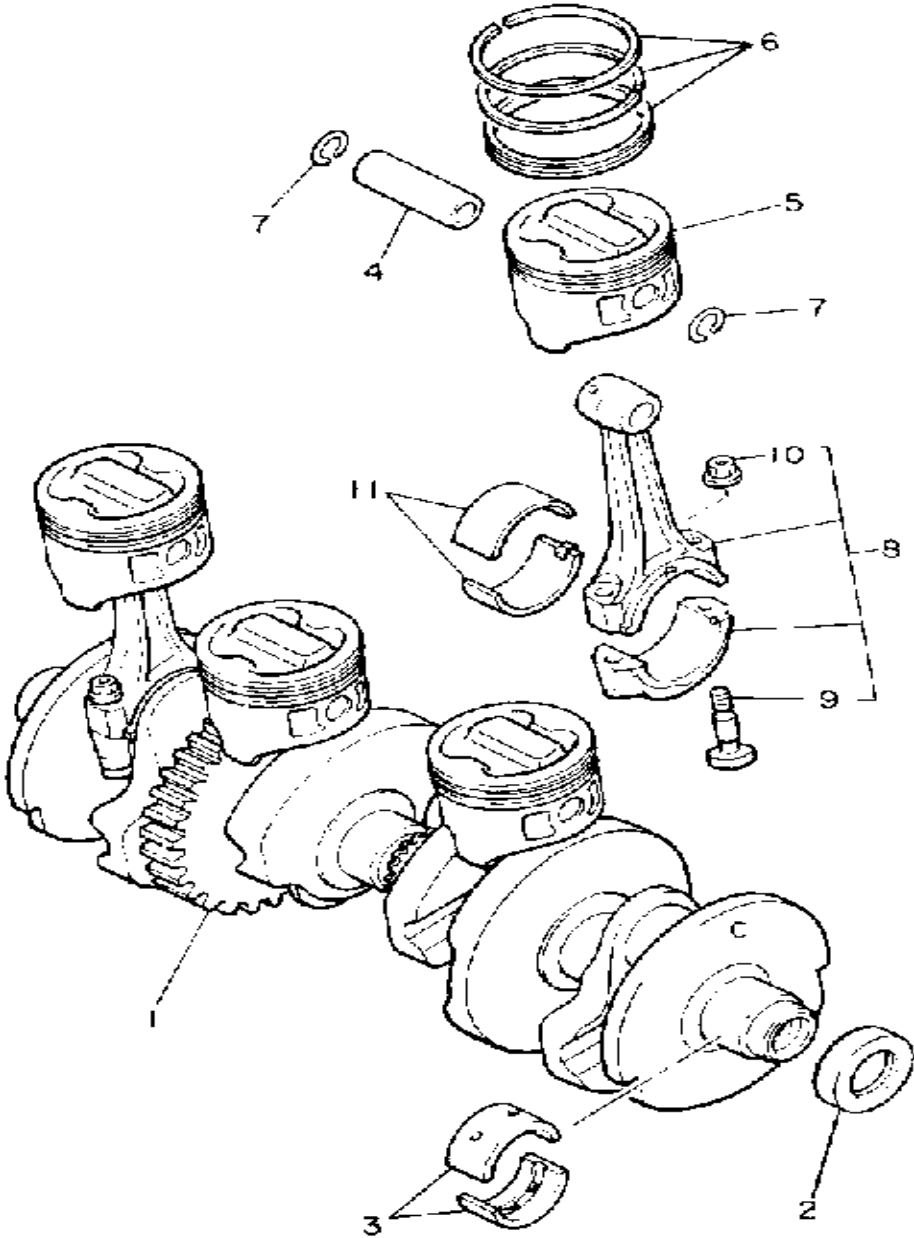


Ref. No.	Part Number	Description	Qty	Remarks
1	1TX-11310-00-00	CYLINDER .....	1	
2	93210-81731-00	O-RING .....	4	
3	99530-14016-00	PIN, DOWEL .....	4	
4	90430-14131-00	GASKET .....	2	
5	4CR-11351-00-00	GASKET, CYLINDER .....	1	
6	95611-08330-00	BOLT, STUD .....	1	
7	90201-084G3-00	WASHER, PLATE .....	1	
8	92901-06600-00	WASHER .....	4	
9	95333-08600-00	NUT .....	1	
10	95311-06600-00	NUT .....	2	
11	90179-06499-00	NUT .....	2	



36Y310-4020

# CRANKSHAFT - PISTON

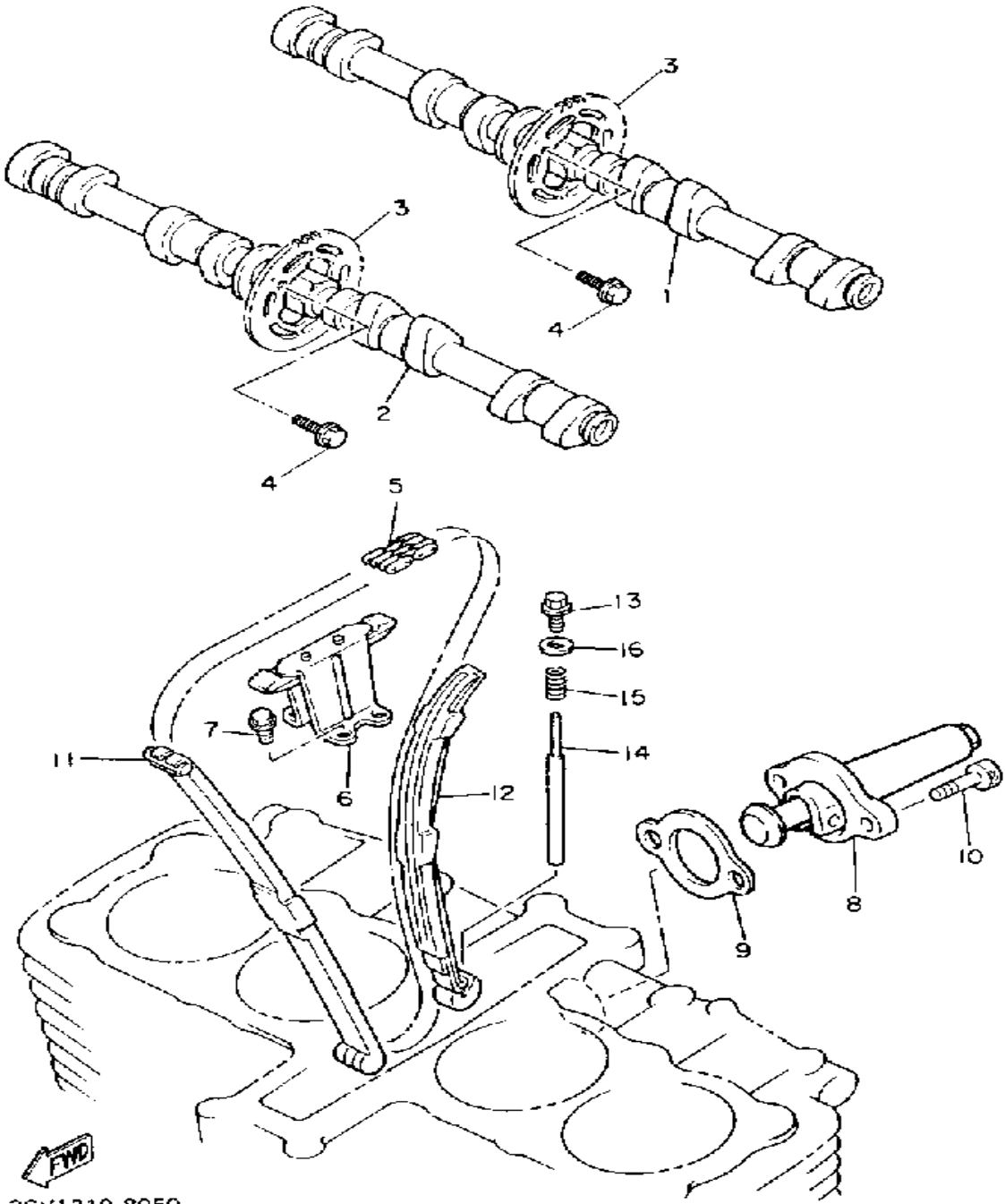


Ref. No.	Part Number	Description	Qty	Remarks
1	36Y-11411-01-00	CRANKSHAFT (36Y-11411-01-00)	1	
2	36Y-15389-09-00	OIL SEAL	1	
3	2H7-11416-01-00	PLANE BRNG, CRSF 1CRANKSHAFT 1	10	UR BLUE
	2H7-11416-11-00	PLANE BRNG, CRSF 1CRANKSHAFT 1	10	UR BLACK
	2H7-11416-21-00	PLANE BRNG, CRSF 1CRANKSHAFT 1	10	UR BROWN
	2H7-11416-31-00	PLANE BRNG, CRSF 1CRANKSHAFT 1	10	UR GREEN
	2H7-11416-41-00	PLANE BRNG, CRSF 1CRANKSHAFT 1	10	UR YELLOW
4	30X-11633-03-00	PIN, PISTON	4	
5	1TX-11631-00-A0	PISTON STD	4	
	1TX-11636-00-00	PISTON 2 O/S 0.0	4	AP
6	1TX-11610-00-00	PISTON RING SET	4	
	1TX-11610-20-00	PISTON RING SET (0.50MM O/S)	4	AP
7	93450-19052-00	CIRCLIP	8	
8	36Y-11650-00-00	CONNECTING ROD ASSEMBLY	4	
9	36Y-11654-00-00	. BOLT, CONNECTING ROD	2	
10	90179-08327-00	. NUT	2	
11	36Y-11656-00-00	PLANE BRNG, CON RODCONNECTING ROD	8	UR PINK
	36Y-11656-10-00	PLANE BRNG, CON RODCONNECTING ROD	8	UR BLUE
	36Y-11656-20-00	PLANE BRNG, CON RODCONNECTING ROD	8	UR BLACK
	36Y-11656-30-00	PLANE BRNG, CON RODCONNECTING ROD	8	UR BROWN



38Y310-4030

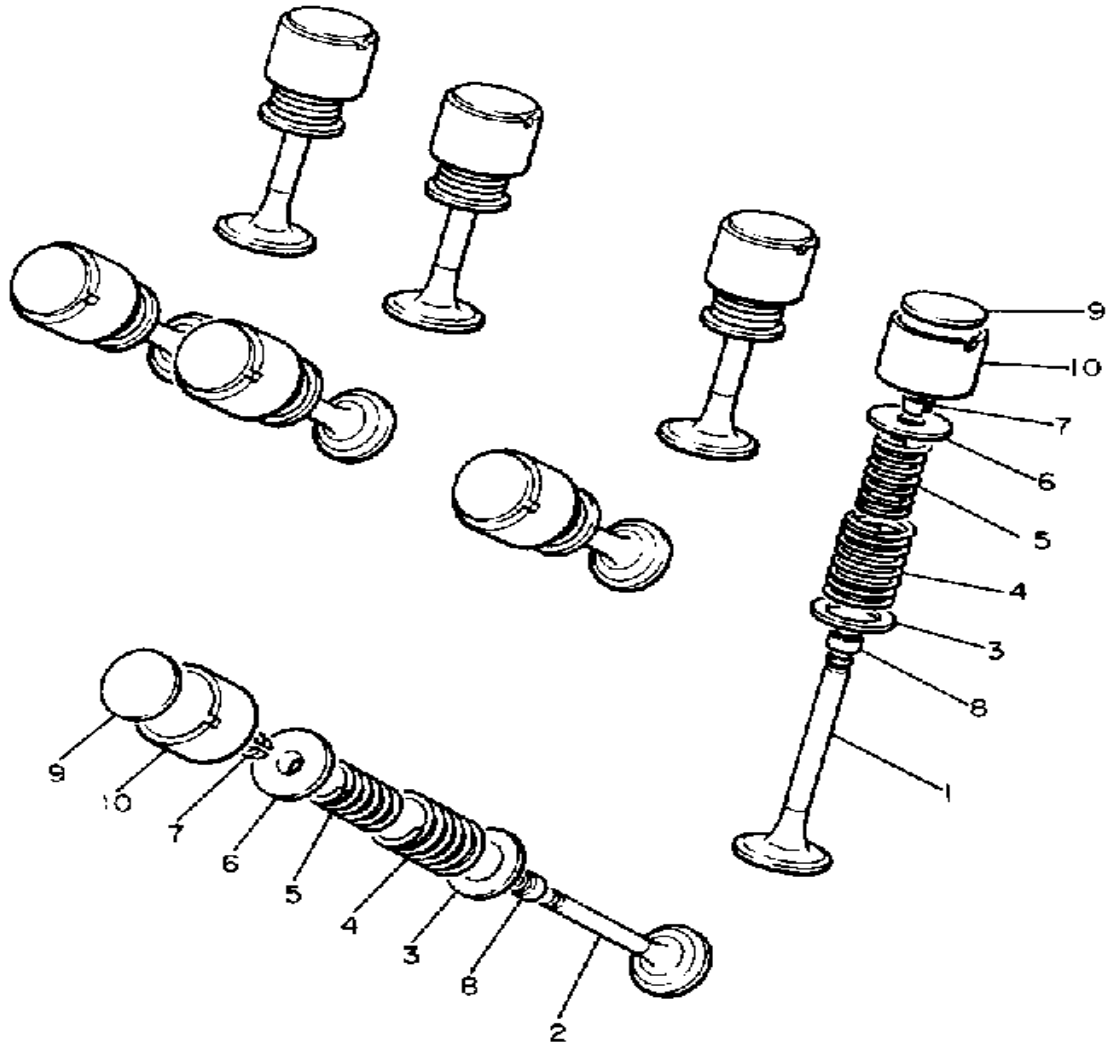
# CAMSHAFT - CHAIN



Ref. No.	Part Number	Description	Qty	Remarks
1	47M-12171-00-00	CAMSHAFT 1 .....	1	
2	47M-12181-00-00	CAMSHAFT 2 .....	1	
3	36Y-12176-00-00	SPROCKET, CAM CHAIN .....	2	
4	90105-07087-00	BOLT, WASHER BASED .....	4	
5	94591-05156-00	CHAIN, CAM .....	1	
6	36Y-12241-01-00	GUIDE, STOPPER 2 .....	1	
7	90105-06424-00	BOLT, WASHER BASED .....	4	
8	1TX-12210-00-00	TENSNR ASSEMBLY, CAM CHNCAM CHAIN .....	1	
9	4BE-12213-00-00	GASKET, TENSIONER CASE ..	1	
10	91316-06025-00	BOLT .....	2	
11	36Y-12251-00-00	DAMPER, CHAIN 1 .....	1	
12	36Y-12252-03-00	DAMPER, CHAIN 2 .....	1	
13	90340-10108-00	PLUG, STRAIGHT SCRW .....	1	
14	90249-04184-00	PIN, SPEC"L SHAPE .....	1	
15	90501-153A2-00	SPRING, COMPRESSION .....	1	
16	90201-10118-00	WASHER, PLATE .....	1	

3CV1310-8050

# VALVE



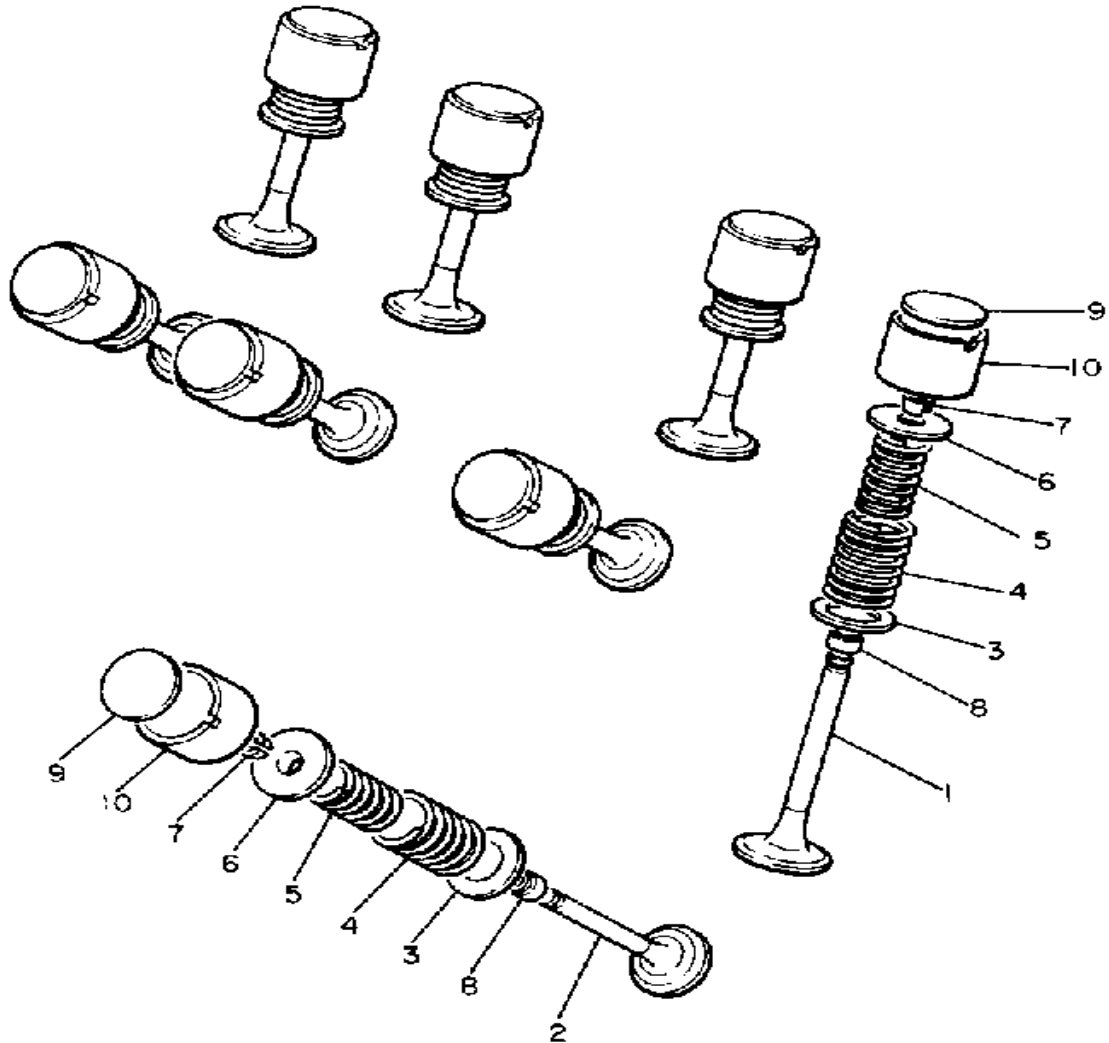
Ref. No.	Part Number	Description	Qty	Remarks
1	36Y-12111-00-00	VALVE, INTAKE .....	8	
2	36Y-12121-00-00	VALVE, EXHAUST .....	8	
3	26H-12116-00-00	SEAT, VALVE SPRING .....	16	
4	36Y-12114-00-00	SPRING, VALVE OUTER .....	16	
5	36Y-12113-00-00	SPRING, VALVE INNER .....	16	
6	30X-12117-00-00	RETAINER, VALVE SPRING ..	16	
7	30X-12118-00-00	COTTER, VALVE .....	32	
8	51Y-12119-00-00	SEAL, VALVE STEM .....	16	
9	26H-12168-00-00	PAD, ADJUSTING (2.00) .....	16	UR
	26H-12168-20-00	PAD, ADJUSTING (2.05) .....	16	UR
	26H-12168-40-00	PAD, ADJUSTING (2.10) .....	16	UR
	26H-12168-60-00	PAD, ADJUSTING (2.15) .....	16	UR
	26H-12168-80-00	PAD, ADJUSTING (2.20) .....	16	UR
	26H-12168-A0-00	PAD, ADJUSTING (2.25) .....	16	UR
	26H-12168-F0-00	PAD, ADJUSTING (2.30) .....	16	UR
	26H-12168-H0-00	PAD, ADJUSTING (2.35) .....	16	UR
	26H-12168-K0-00	PAD, ADJUSTING (2.40) .....	16	UR
	26H-12168-M0-00	PAD, ADJUSTING (2.45) .....	16	UR
	26H-12168-R0-00	PAD, ADJUSTING (2.50) .....	16	UR
	26H-12168-U0-00	PAD, ADJUSTING (2.55) .....	16	UR
	26H-12168-W0-00	PAD, ADJUSTING (2.60) .....	16	UR
	26H-12168-Y0-00	PAD, ADJUSTING (2.65) .....	16	UR
	26H-12169-10-00	PAD, ADJUSTING (2.70) .....	16	UR
	26H-12169-30-00	PAD, ADJUSTING (2.75) .....	16	UR
	26H-12169-50-00	PAD, ADJUSTING (2.80) .....	16	UR
	26H-12169-70-00	PAD, ADJUSTING (2.85) .....	16	UR
	26H-12169-90-00	PAD, ADJUSTING (2.90) .....	16	UR
	26H-12169-E0-00	PAD, ADJUSTING (2.95) .....	16	UR
	26H-12169-G0-00	PAD, ADJUSTING (3.00) .....	16	UR

 4H7110-0050

CONTINUED ON NEXT FRAME ➤

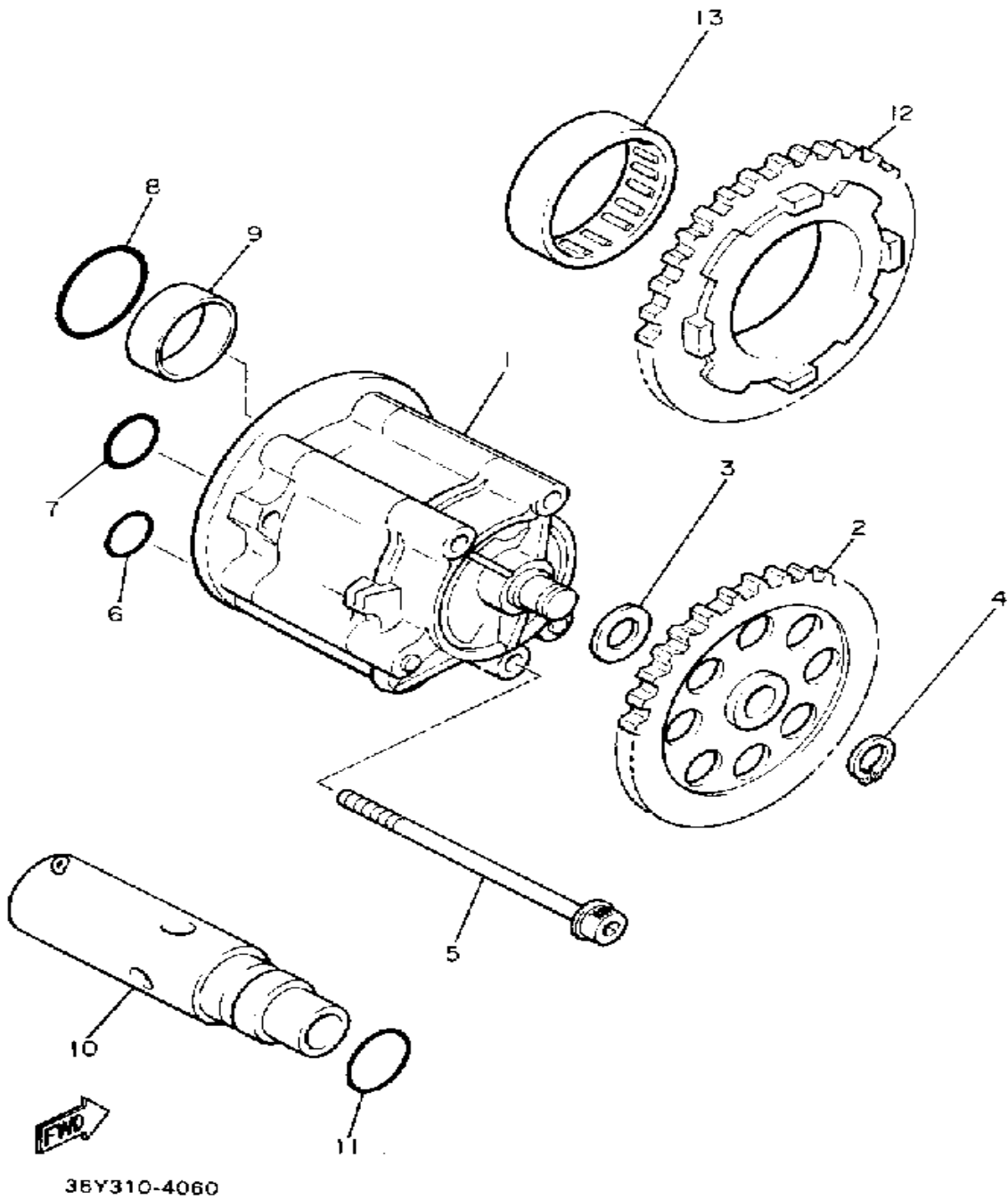
# VALVE

Ref. No.	Part Number	Description	Qty	Remarks
9	26H-12169-J0-00	PAD, ADJUSTING (3.05)	16	UR
	26H-12169-L0-00	PAD, ADJUSTING (3.10)	16	UR
	26H-12169-N0-00	PAD, ADJUSTING (3.15)	16	UR
	26H-12169-T0-00	PAD, ADJUSTING (3.20)	16	UR
10	26H-12153-00-J0	LIFTER, VALVE (O/S)	16	UR
	26H-12153-00-Y0	LIFTER, VALVE	16	UR



4H7110-0050

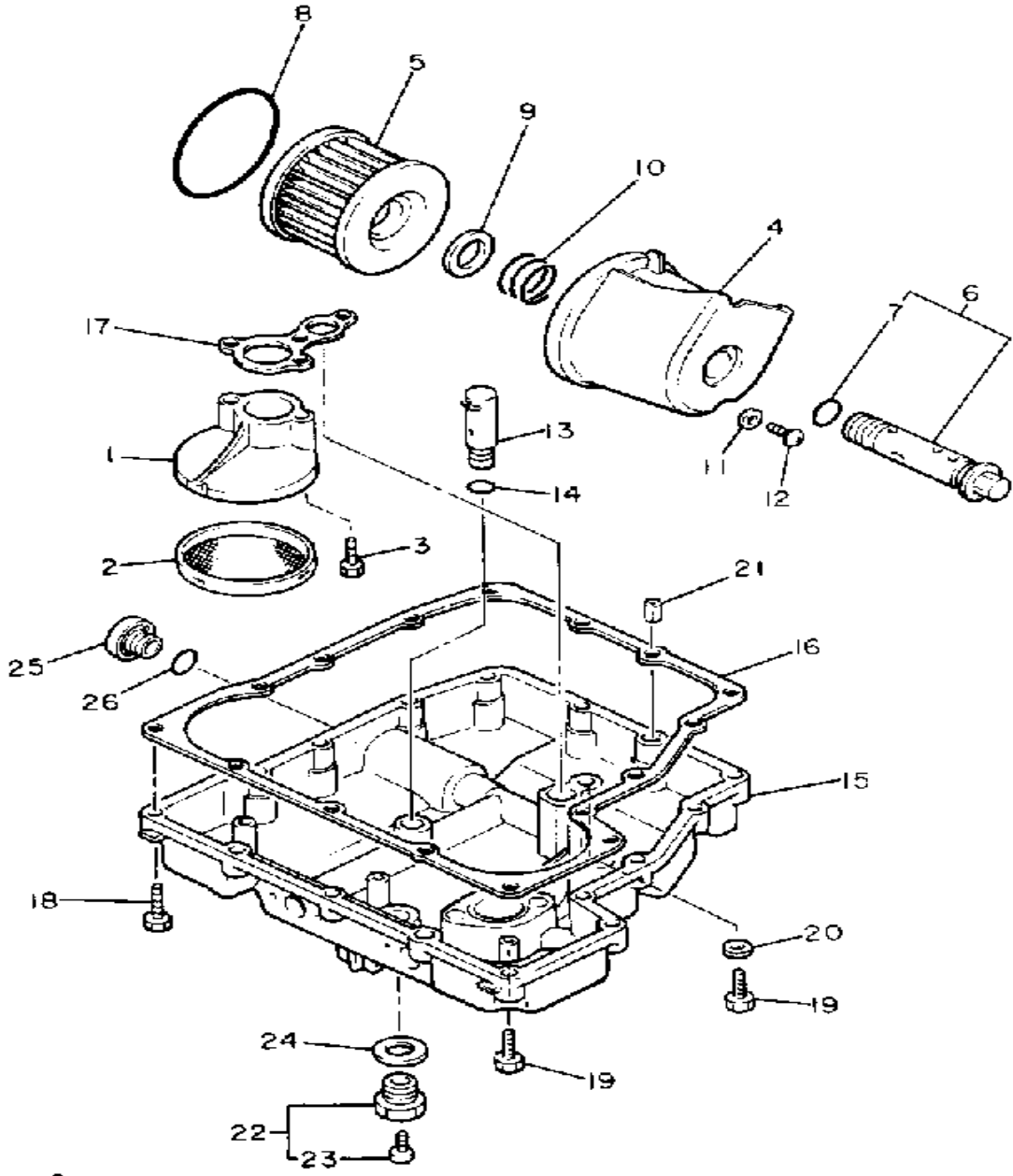
# OIL PUMP



Ref. No.	Part Number	Description	Qty	Remarks
1	3CV-13300-00-00	OIL PUMP ASSEMBLY .....	1	
2	36Y-13325-00-00	GEAR, PUMP DRIVEN .....	1	
3	90201-106H7-00	WASHER, PLATE .....	1	
4	93440-09139-00	CIRCLIP, OUTER .....	1	
5	95811-06080-00	BOLT, FLANGE .....	3	
6	93210-13657-00	O-RING .....	1	
7	93210-15566-00	O-RING .....	1	
8	93210-26658-00	O-RING .....	1	
9	93626-08210-00	PIN, DOWEL (36Y) .....	1	
10	36Y-13490-00-00	RELIEF VALVE ASSEMBLY ...	1	
11	93210-15566-00	O-RING .....	1	
12	36Y-13324-00-00	GEAR, PUMP DRIVE .....	1	
13	93315-23612-00	BEARING .....	1	



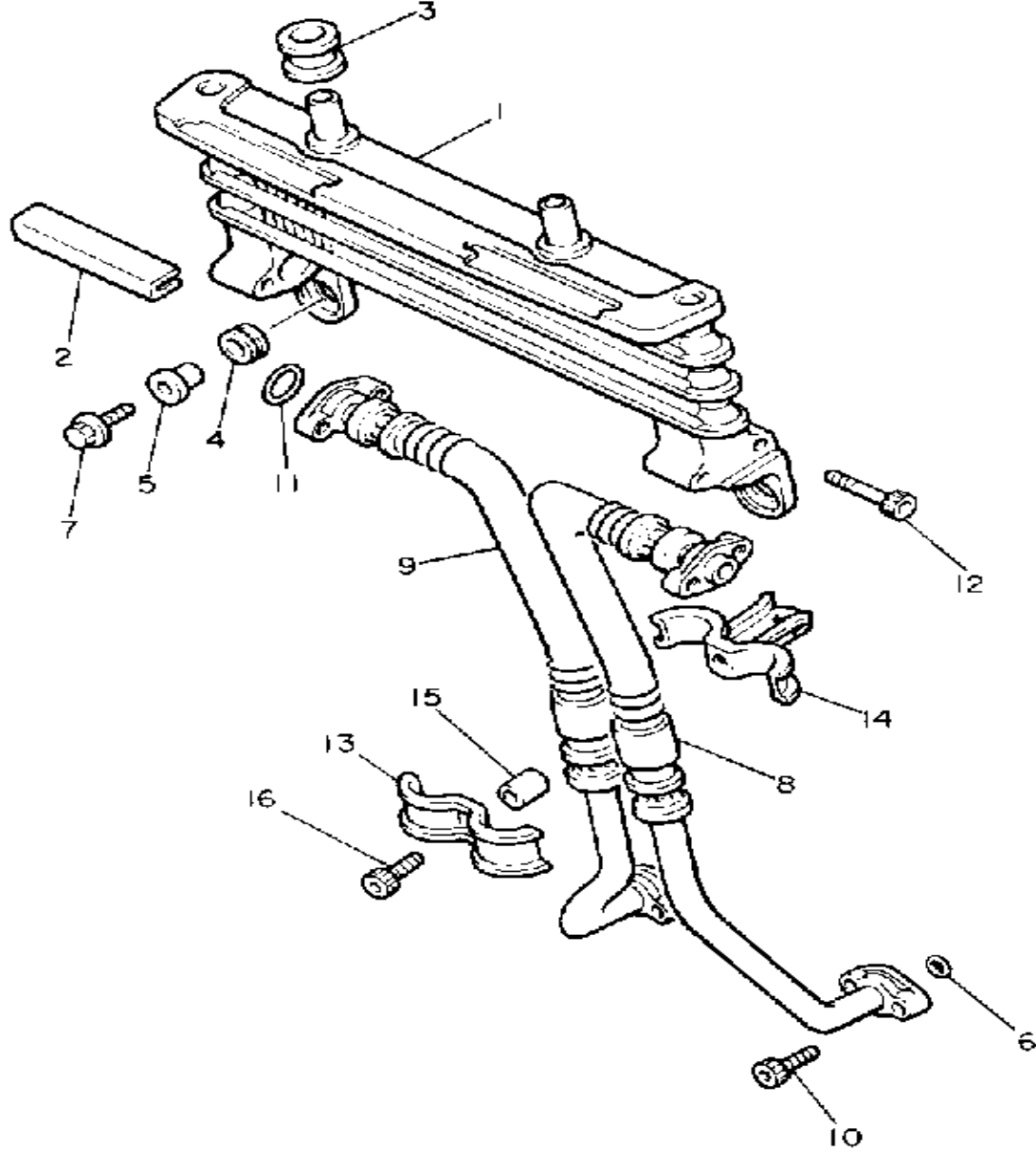
# OIL FILTER



Ref. No.	Part Number	Description	Qty	Remarks
1	36Y-13412-00-00	HOUSING, STRAINER	1	
2	4H7-13411-02-00	STRAINER, OIL	1	
3	91316-06020-00	BOLT, SOCKET HEAD	2	
4	36Y-13447-01-00	COVER, OIL ELEMENT	1	
5	36Y-13441-00-00	ELEMENT, OIL CLNR	1	
6	36Y-13340-00-00	BY-PASS VALVE ASSEMBLY	1	
7	93210-16629-00	. O-RING	1	
8	93210-87723-00	O-RING	1	
9	90201-21608-00	WASHER, PLATE	1	
10	90501-20422-00	SPRING, COMPRESSION	1	
11	90430-05126-00	GASKET	1	
12	90149-05110-00	SCREW	1	
13	25G-13490-00-00	RELIEF VALVE ASSEMBLY	1	
14	93210-10096-00	O-RING	1	
15	36Y-13417-02-00	COVER, STRAINER	1	
16	4CR-13414-00-00	GASKET, STRNR COVERSTRAINER COVER	1	
17	36Y-13415-00-00	SEAL, OIL STRAINER	1	
18	91316-06025-00	BOLT	14	
19	91316-06035-00	BOLT	3	
20	90430-06014-00	GASKET	1	
21	99510-08016-00	PIN, DOWEL	2	
22	3VD-13455-00-00	PLUG	1	
23	98901-06008-00	. SCREW, BIND	1	
24	214-11198-01-00	GASKET	1	
25	36Y-15189-00-00	PLUG	1	
26	93210-16629-00	O-RING	1	

  
36Y310-4080

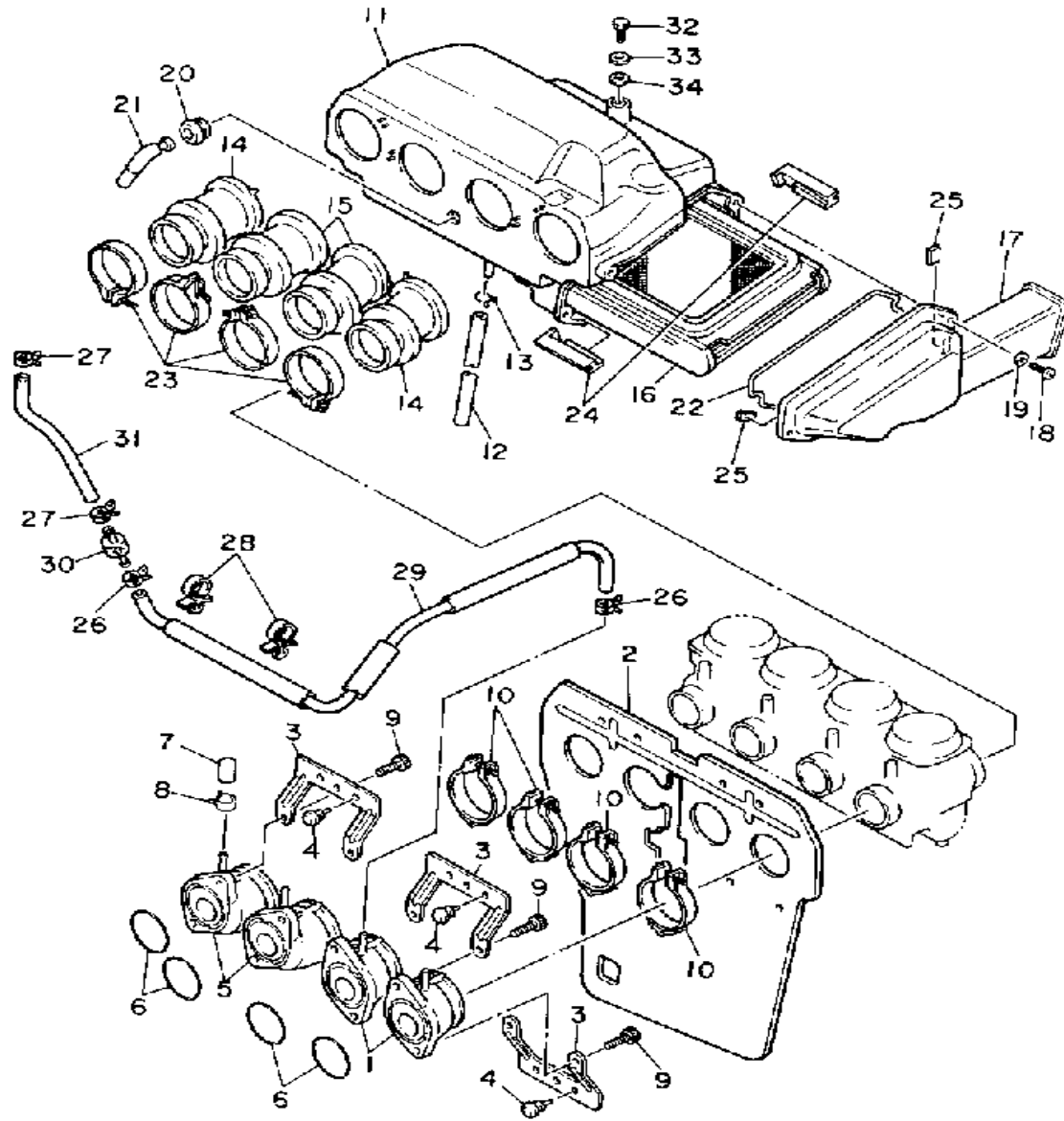
# OIL COOLER



Ref. No.	Part Number	Description	Qty	Remarks
1	36Y-13470-01-00	OIL COOLER ASSEMBLY	1	
2	36Y-13159-00-00	DAMPER	2	
3	90480-16284-00	GROMMET	2	
4	90480-12475-00	GROMMET	2	
5	90387-067K8-00	COLLAR	2	
6	93210-13657-00	O-RING	2	
7	95826-06020-00	BOLT, flange (95806-06020-00)	2	
8	36Y-13464-03-00	HOSE, OIL 1	1	
9	36Y-13465-03-00	HOSE, OIL 2	1	
10	91316-06020-00	BOLT, SOCKET HEAD	4	
11	93210-16629-00	O-RING	2	
12	91316-06040-00	BOLT, SOCKET HEAD	4	
13	90465-08250-00	CLAMP	1	
14	90465-08249-00	CLAMP	1	
15	90387-064A5-00	COLLAR	1	
16	91316-06025-00	BOLT	1	

**FWD**  
36Y310-4070

# AIR FILTER (NON-CALIFORNIA MODEL)



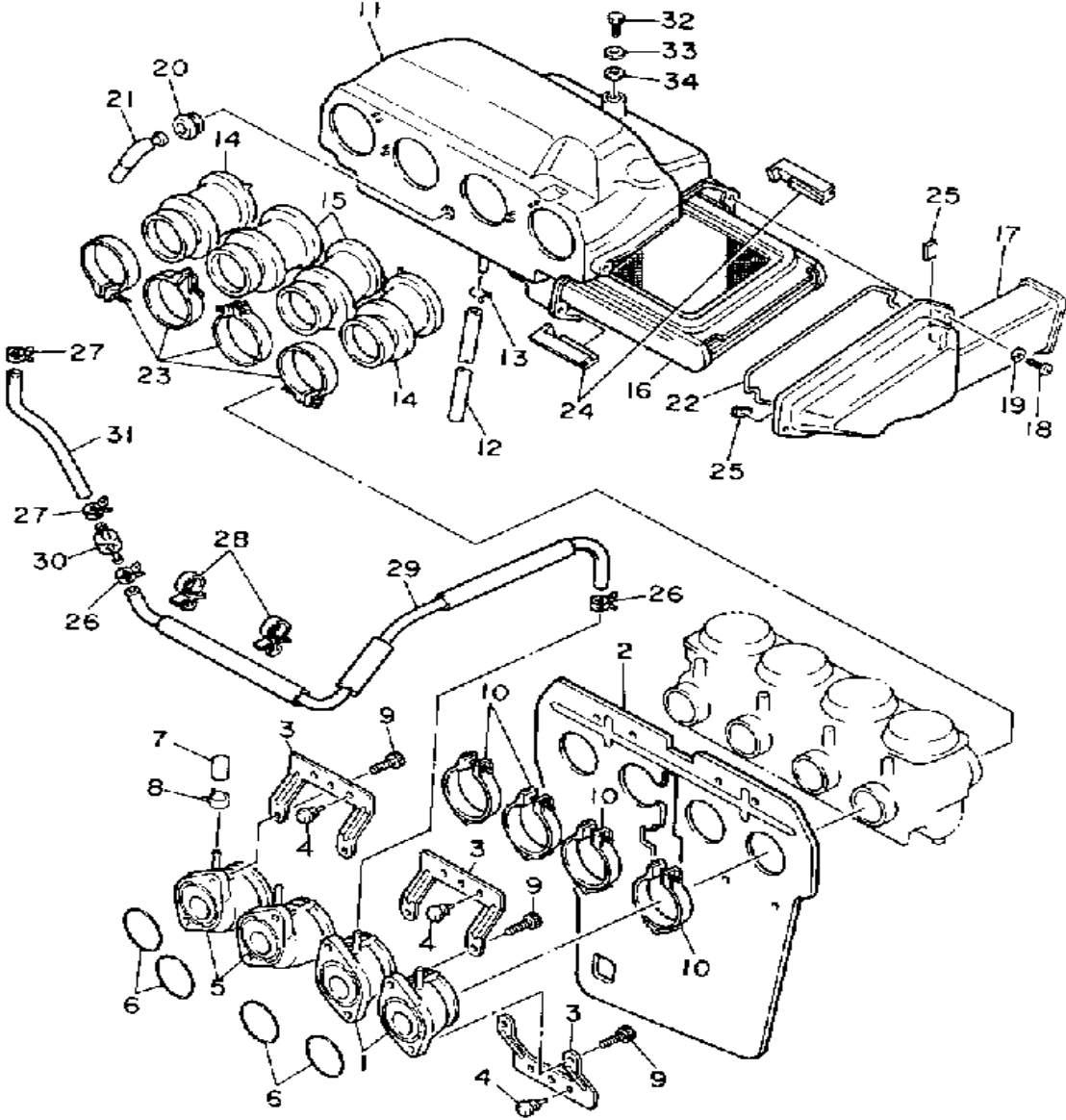
Ref. No.	Part Number	Description	Qty	Remarks
1	36Y-13586-00-00	JOINT, CARBURETOR 1	2	
2	3XW-12682-00-00	HEAT PROTECTOR 1	1	
3	36Y-12637-00-00	STAY 1	3	
4	90480-08395-00	GROMMET	6	
5	36Y-13596-00-00	JOINT, CARBURETOR 2	2	
6	93210-40659-00	O-RING	4	
7	16G-13569-00-00	PLUG, BLIND	3	4
8	90467-10039-00	CLIP	3	4
9	91316-06020-00	BOLT, SOCKET HEAD	8	
10	90460-52264-00	CLAMP, HOSE (90460-52210-00)	4	
11	3CV-14401-00-00	AIR CLNR CASE ASSEMBLY	1	
12	90445-11182-00	HOSE	1	
13	90467-09006-00	CLIP	1	
14	36Y-14453-00-00	JOINT, AIR CLNR 1	2	
15	36Y-14463-00-00	JOINT, AIR CLNR 2	2	
16	36Y-14451-00-00	ELEMENT, AIR CLNR	1	
	UNA-VAILA-BL-EI	0 0		
17	3CV-14412-00-00	CAP, CLEANER CASE 1	1	
18	98506-05020-00	SCREW, PAN HEAD	3	
19	92906-05600-00	WASHER, PLATE	3	
20	31A-14435-00-00	GROMMET	1	
21	31A-14419-00-00	PIPE	1	
22	5T0-14457-00-00	SEAL	1	
23	90460-58015-00	CLAMP, HOSE	4	
24	36Y-W1441-00-00	AIR CLEANER CASE	1	
25	36Y-14409-00-00	DAMPER	2	
26	90467-08092-00	CLIP	2	
27	90467-07093-00	CLIP	2	
28	90464-13133-00	CLAMP	2	



3SK110-9090

CONTINUED ON NEXT FRAME ➤

# AIR FILTER (NON-CALIFORNIA MODEL)

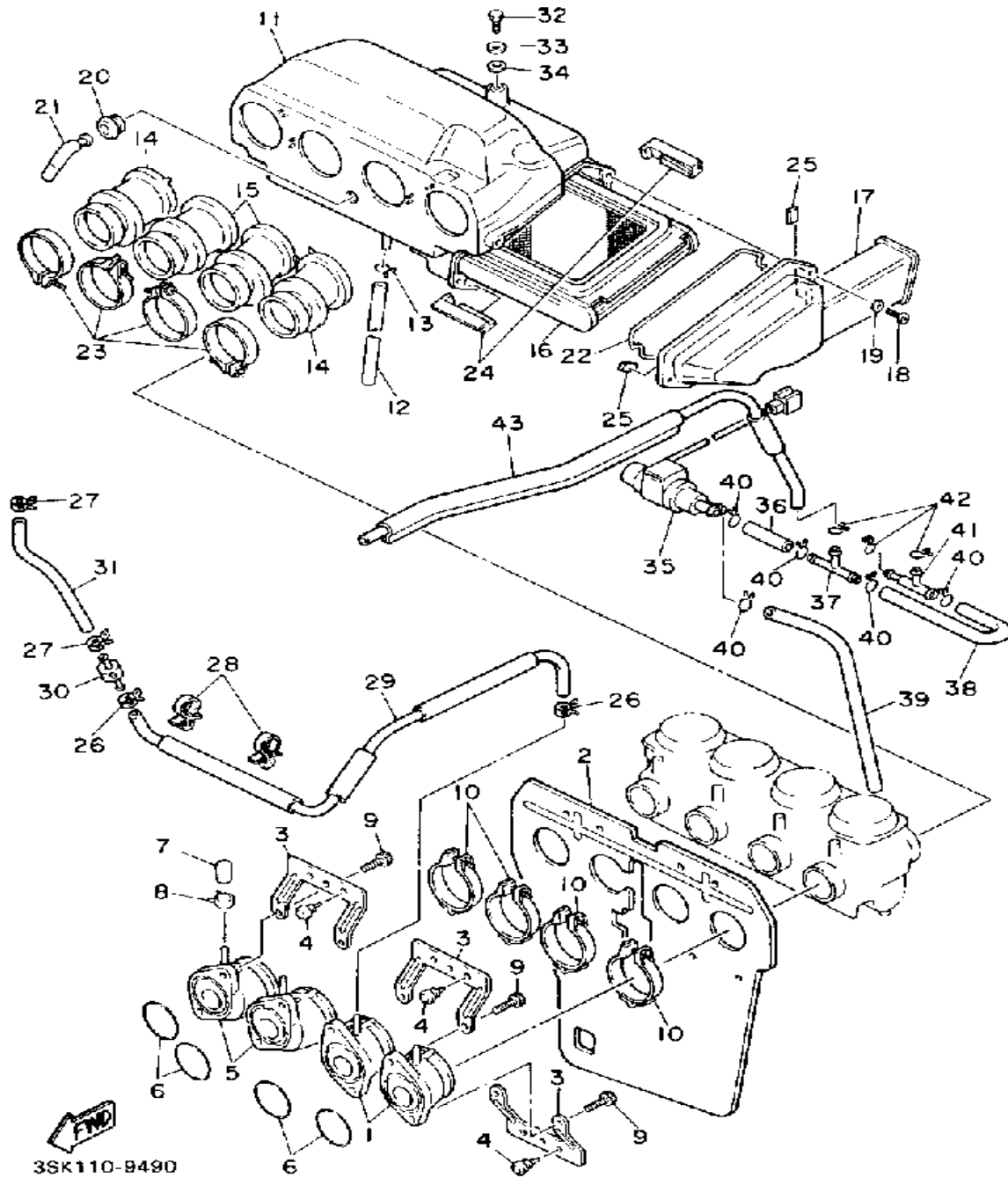


Ref. No.	Part Number	Description	Qty	Remarks
29	3SK-14872-00-00	PIPE 2 .....	1	
30	41R-14489-00-00	NOZZLE .....	1	
31	90445-08676-00	HOSE (DV) .....	1	
32	97026-06012-00	BOLT .....	3	
33	92906-06700-00	WASHER, WAVE .....	3	
34	92906-06600-00	WASHER .....	3	



3SK110-9090

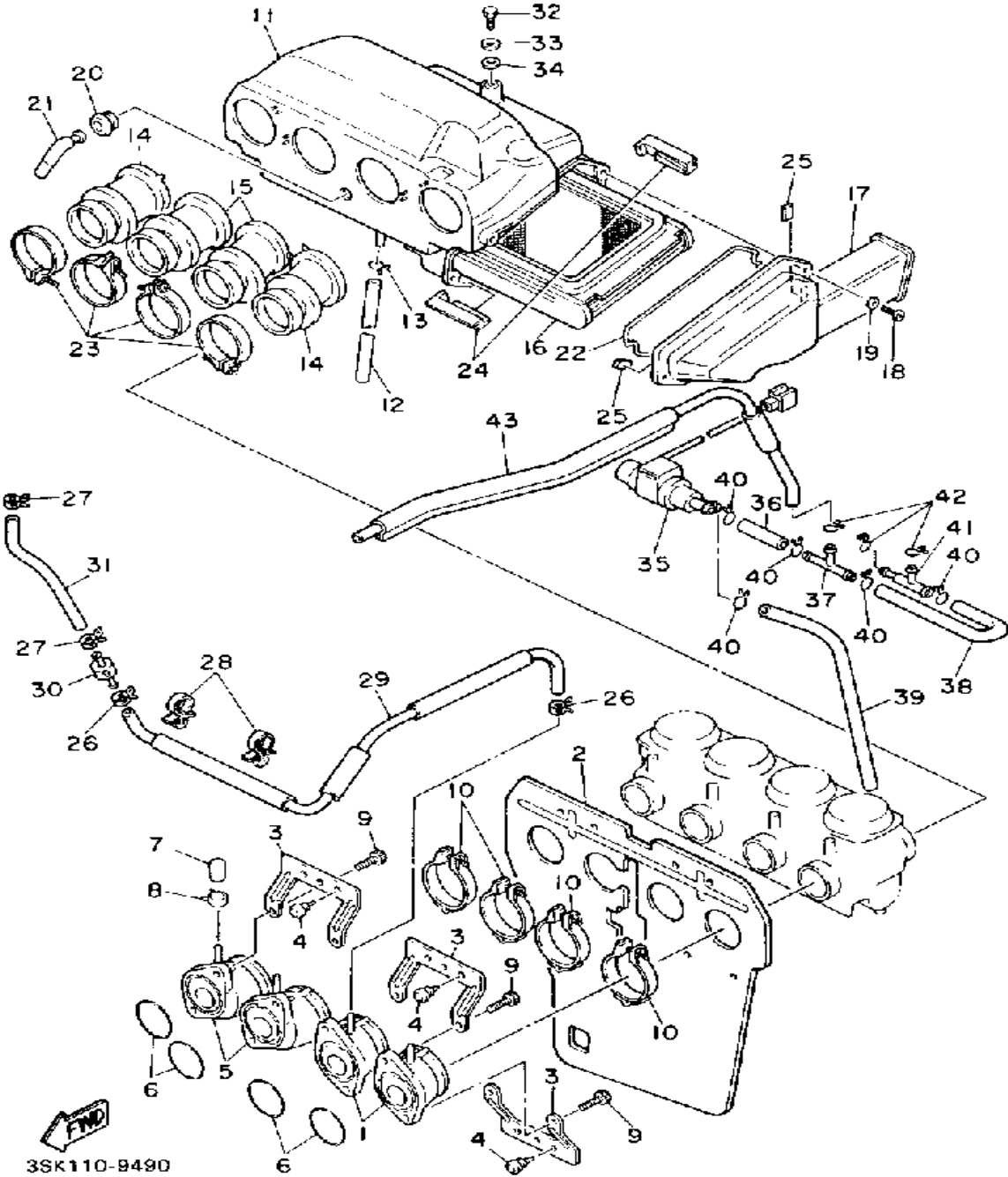
# AIR FILTER (CALIFORNIA MODEL ONLY)



Ref. No.	Part Number	Description	Qty	Remarks
1	36Y-13586-00-00	JOINT, CARBURETOR 1	2	
2	3XW-12682-00-00	HEAT PROTECTOR 1	1	
3	36Y-12637-00-00	STAY 1	3	
4	90480-08395-00	GROMMET	6	
5	36Y-13596-00-00	JOINT, CARBURETOR 2	2	
6	93210-40659-00	O-RING	4	
7	16G-13569-00-00	PLUG, BLIND	3	3
8	90467-10039-00	CLIP	3	3
9	91316-06020-00	BOLT, SOCKET HEAD	8	
10	90460-52264-00	CLAMP, HOSE (90460-52210-00)	4	
11	3CV-14401-00-00	AIR CLNR CASE ASSEMBLY	1	
12	90445-11182-00	HOSE	1	
13	90467-09006-00	CLIP	1	
14	36Y-14453-00-00	JOINT, AIR CLNR 1	2	
15	36Y-14463-00-00	JOINT, AIR CLNR 2	2	
16	36Y-14451-00-00	ELEMENT, AIR CLNR	1	
17	3CV-14412-00-00	CAP, CLEANER CASE 1	1	
18	98506-05020-00	SCREW, PAN HEAD	3	
19	92906-05600-00	WASHER, PLATE	3	
20	31A-14435-00-00	GROMMET	1	
21	31A-14419-00-00	PIPE	1	
22	5T0-14457-00-00	SEAL	1	
23	90460-58015-00	CLAMP, HOSE	4	
24	36Y-W1441-00-00	AIR CLEANER CASE	1	
25	36Y-14409-00-00	DAMPER	2	
26	90467-08092-00	CLIP	2	
27	90467-07093-00	CLIP	2	
28	90464-13133-00	CLAMP	2	
29	3SK-14872-00-00	PIPE 2	1	

CONTINUED ON NEXT FRAME ➤

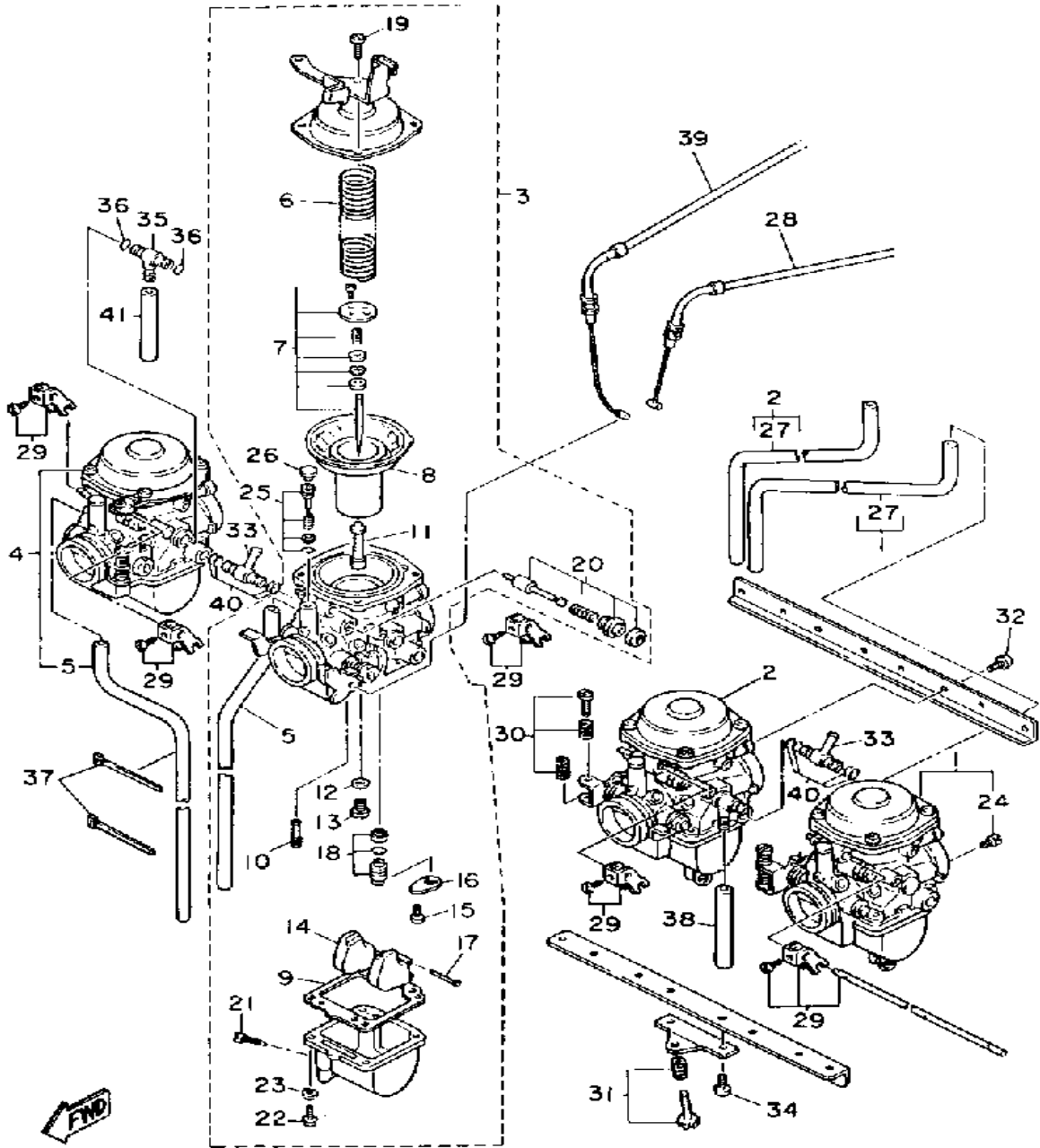
# AIR FILTER (CALIFORNIA MODEL ONLY)



3SK110-9490

Ref. No.	Part Number	Description	Qty	Remarks
30	41R-14489-00-00	NOZZLE .....	1	
31	90445-08676-00	HOSE (DV) .....	1	
32	97026-06012-00	BOLT .....	3	
33	92906-06700-00	WASHER, WAVE .....	3	
34	92906-06600-00	WASHER .....	3	
35	1WJ-14896-00-00	VLV, OUT VENT CON 2CONTROL 2 .....	1	
36	90445-136E2-00	HOSE .....	1	
37	90413-11028-00	WAY 3 .....	1	
38	(1WJ-14872-00-00)	PIPE 2 .....	1	
39	90445-136E3-00	HOSE .....	1	
40	90467-12052-00	CLIP .....	5	
41	90413-11027-00	WAY 3 .....	1	
42	90467-10008-00	CLIP .....	3	
43	1WJ-14871-00-00	PIPE 1 .....	1	

# CARBURETOR

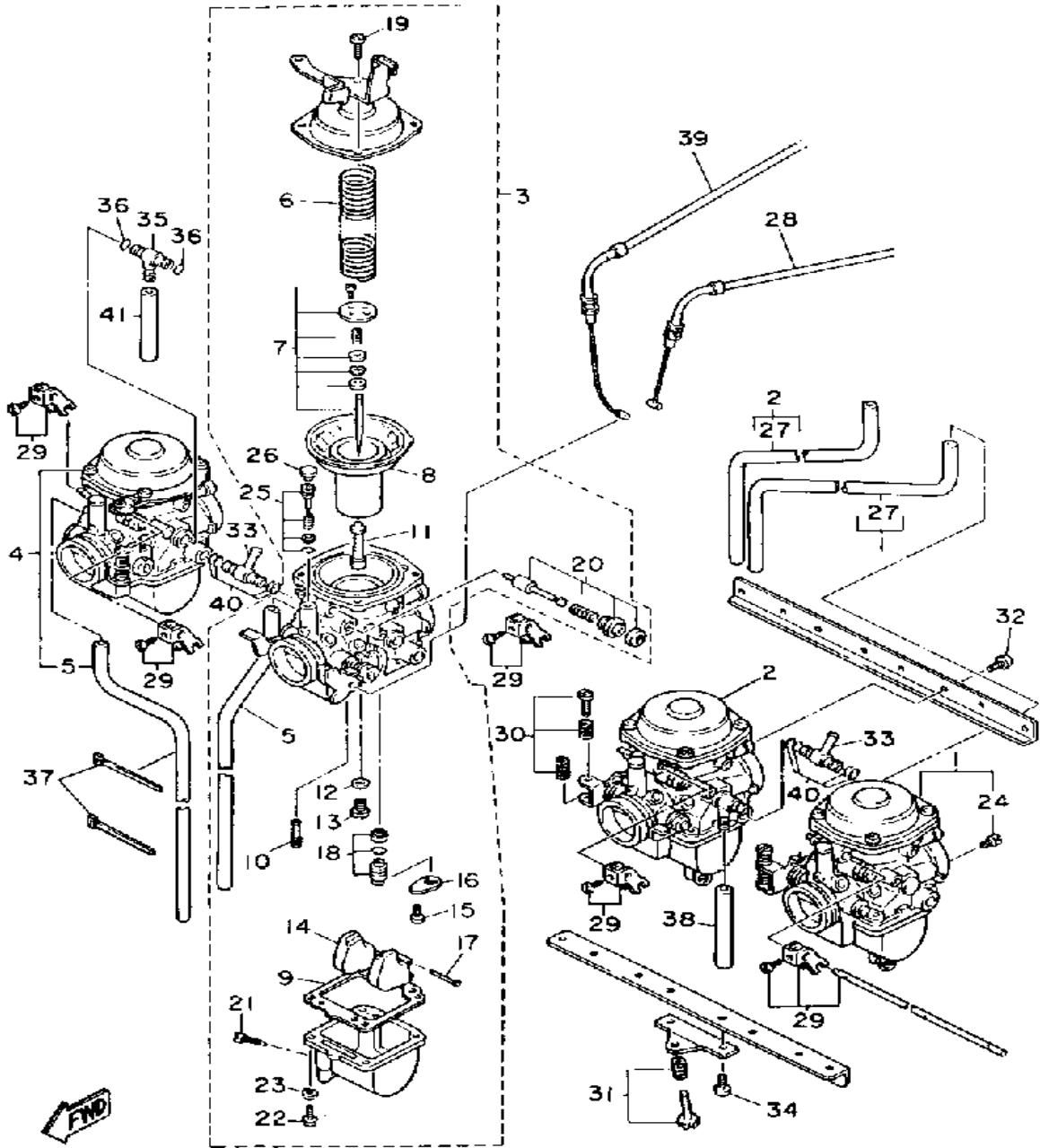


3SK110-9100

Ref. No.	Part Number	Description	Qty	Remarks
1	3SK-14901-10-00	CARBURETOR ASSEMBLY 1	1	UR CALIF
	3SK-14901-10-00	CARBURETOR ASSEMBLY 1	1	UR NON-CALIF
2	3SK-14902-10-00	CARBURETOR ASSEMBLY 2	1	UR CALIF
	3SK-14902-10-00	CARBURETOR ASSEMBLY 2	1	UR NON-CALIF
3	3SK-14903-10-00	CARBURETOR ASSEMBLY 3	1	UR CALIF.
	3SK-14903-10-00	CARBURETOR ASSEMBLY 3	1	UR NON-CALIF
4	3SK-14904-10-00	CARBURETOR ASSEMBLY 4	1	UR CALIF
	3SK-14904-10-00	CARBURETOR ASSEMBLY 4	1	UR NON-CALIF
5	26H-14197-01-00	. PIPE	1	4
6	3Y6-14933-00-00	. SPRING, DIAPHRAGM	1	
7	1TX-1490J-00-00	. NEEDLE SET	1	
8	50H-14940-00-00	. DIAPHRAGM ASSEMBLY	1	
9	3XW-14984-00-00	. GASKET, FLOAT CHMBR	1	
10	4G0-14142-37-A0	. JET, PILOT #37.5 (4G0-14142-37-00)	1	
11	50H-14941-92-00	. NOZZLE MAIN	1	
12	137-14153-00-00	. WASHER, MAIN JET	1	
13	620-14231-22-A0	. JET, MAIN #110 (620-14231-22)	1	
14	3H5-14985-00-00	. FLOAT	1	
15	98511-04006-00	. SCREW, PAN HEAD (98501-04005)	1	
16	2H0-14146-00-00	. PLATE	1	
17	537-14186-00-00	. PIN, FLOAT	1	
18	3CF-14107-15-00	. NEEDLE VALVE SET	1	
19	98580-05010-00	. SCREW, PAN HEAD	4	
20	36Y-1410A-00-00	. STARTER SET	1	
21	12R-14191-00-00	. PLUG, DRAIN	1	
22	98580-05016-00	. SCREW, PAN HEAD	4	
23	92990-05100-00	. WASHER, SPRING		

CONTINUED ON NEXT FRAME ➤

# CARBURETOR

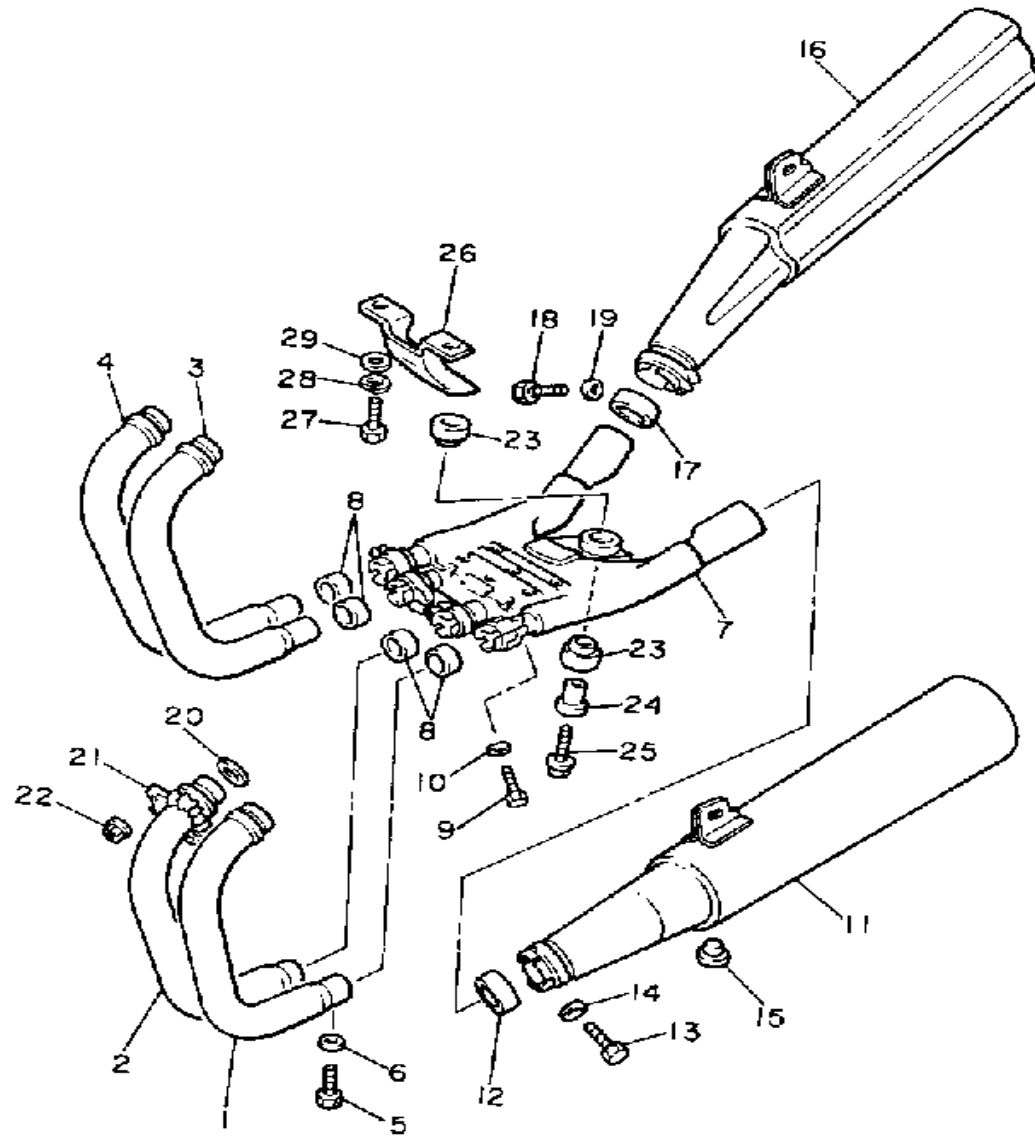


3SK110-9100

Ref. No.	Part Number	Description	Qty	Remarks
23	UNA-VAILA-BL-EI	0 0	11	
24	3G2-14231-31-00	. JET, MAIN (#155)	1	
25	12R-14105-00-00	. PILOT SCREW SET	1	
26	3F9-14118-00-00	. CAP	1	
27	26H-14197-00-00	. PIPE	1	2
28	36Y-2631J-00-00	CABLE, THROTTLE 4	1	
29	36Y-1490L-00-00	STARTER LEVER SET	1	
30	36Y-1490K-00-00	STOP SCREW SET	3	
31	36Y-14103-00-00	THROTTLE SCREW SET	1	
32	98580-05010-00	SCREW, PAN HEAD	8	
33	16H-14988-00-00	PIPE, STARTER CON	2	
34	98503-06014-00	SCREW, PAN HEAD (92502-06016)	8	
35	17A-14251-00-00	NIPPLE	2	
36	822-14147-00-00	O-RING	4	
37	35H-14139-00-00	CLIP, PIPE	2	
38	(50H-14987-00-00)	HOSE	1	UR NON-CALIF
	1WJ-14987-00-00	HOSE	1	UR CALIF
39	36Y-26313-00-00	CABLE, THROTTLE 3	1	
40	36Y-14147-00-00	O-RING	8	
41	1WJ-14197-00-00	PIPE	1	UR CALIF
	4G0-14197-00-00	PIPE (2GH-14197-00-00)	1	UR NON-CALIF



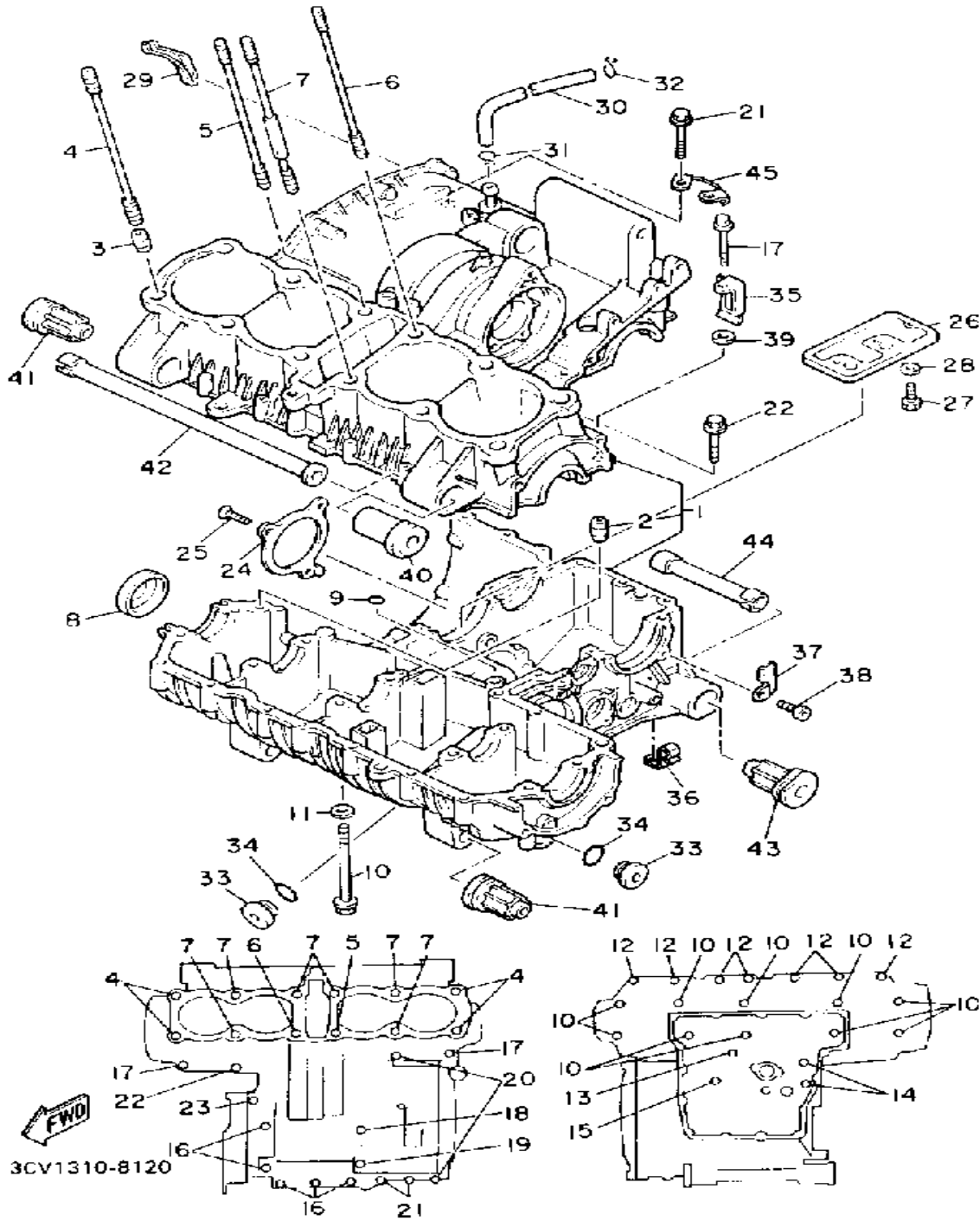
# EXHAUST



1UX110-6110

Ref. No.	Part Number	Description	Qty	Remarks
1	1TX-14611-00-00	PIPE, EXHAUST L	1	
2	1TX-14621-00-00	PIPE, EXHAUST R	1	
3	1TX-14631-00-00	PIPE, EXHAUST 3	1	
4	1TX-14641-00-00	PIPE, EXHAUST 4	1	
5	90101-06576-00	BOLT	4	
6	92906-06600-00	WASHER	4	
7	1TX-14615-10-00	JOINT, EXHAUST L	1	
8	36Y-14755-01-00	GASKET, SILENCER	4	
9	97011-08025-00	BOLT	4	
10	92901-08600-00	WASHER	4	
11	3SK-14711-00-00	MUFFLER L	1	
12	36Y-14714-00-00	GASKET, MUFFLER	1	
13	97016-08025-00	BOLT	1	
14	92906-08600-00	WASHER	1	
15	371-27114-00-00	STOPPER, MAIN STAND	1	
16	3SK-14721-00-00	MUFFLER R	1	
17	36Y-14714-00-00	GASKET, MUFFLER	1	
18	97016-08025-00	BOLT	1	
19	92906-08600-00	WASHER	1	
20	4BE-14613-00-00	GASKET, EXHAUST PIPE	4	
21	36Y-14612-00-00	NUT, RING	4	
22	90179-08345-00	NUT, SPEC'L SHAPE	8	
23	36Y-14747-00-00	DAMPER, MUFFLER	2	
24	4G0-14638-00-00	COLLAR	1	
25	95811-10040-00	BOLT, FLANGE (95801-10040)	1	
26	36Y-14791-00-00	STAY, MUFFLER	1	
27	97011-08025-00	BOLT	2	
28	92990-08100-00	WASHER	2	
29	92901-08600-00	WASHER	2	

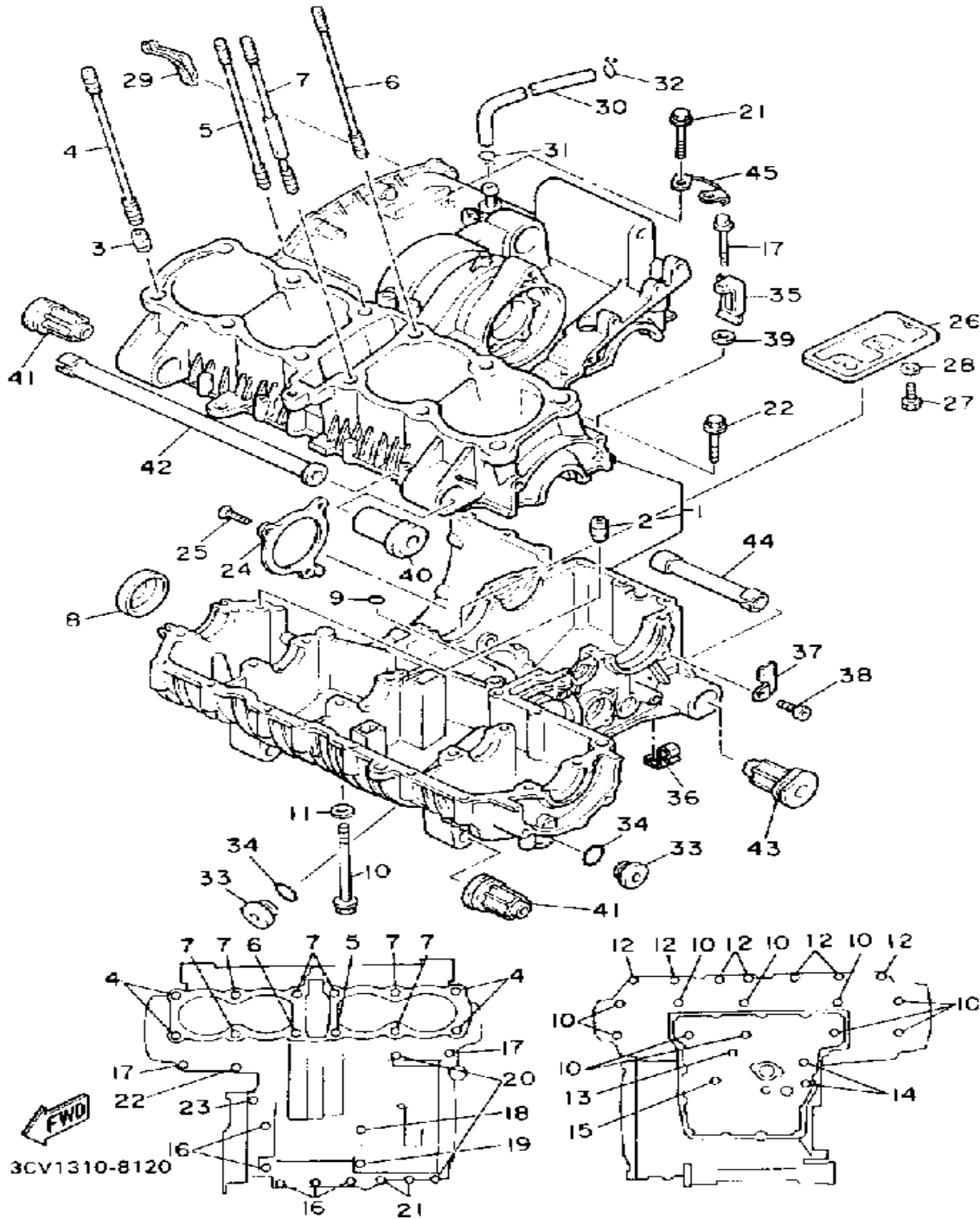
# CRANKCASE



Ref. No.	Part Number	Description	Qty	Remarks
1	1TX-15100-01-00	CRANKCASE ASSEMBLY	1	
2	99510-12016-00	. PIN, DOWEL	2	
3	99530-14016-00	PIN, DOWEL	2	
4	90116-10516-00	BOLT, STUD	4	
5	90116-10514-00	BOLT, STUD	1	
6	90116-10515-00	BOLT, STUD	1	
7	3CV-11363-00-00	BOLT, CYLINDER HOLDING 3	6	
8	4H7-15167-10-00	PLUG, BLIND 1	1	
9	93210-07438-00	O-RING	1	
10	95816-08100-00	BOLT, FLANGE	10	
11	90201-094G1-00	WASHER, PLATE	7	
12	95816-08045-00	BOLT, FLANGE	7	
13	95816-06110-00	BOLT, FLANGE	1	
14	95816-06095-00	BOLT, FLANGE	2	
15	95816-06040-00	BOLT	1	
16	95816-08055-00	BOLT, FLANGE (91006-08055-00)	5	
17	95816-06050-00	BOLT, FLANGE	2	
18	95816-06125-00	BOLT, FLANGE	1	
19	95816-06070-00	BOLT, FLANGE	1	
20	95816-06065-00	BOLT, FLANGE	2	
21	95816-06055-00	BOLT, FLANGE	2	
22	95816-06040-00	BOLT	1	
23	95816-06030-00	BOLT, FLANGE	1	
24	36Y-15383-01-00	PLATE, BRNG COVER	1	
25	90151-06025-00	SCREW, COUNTERSUNK	3	
26	36Y-15412-00-00	COVER, OIL PUMP	1	
27	97001-05010-00	BOLT	3	
28	92901-05600-00	WASHER, PLATE	3	

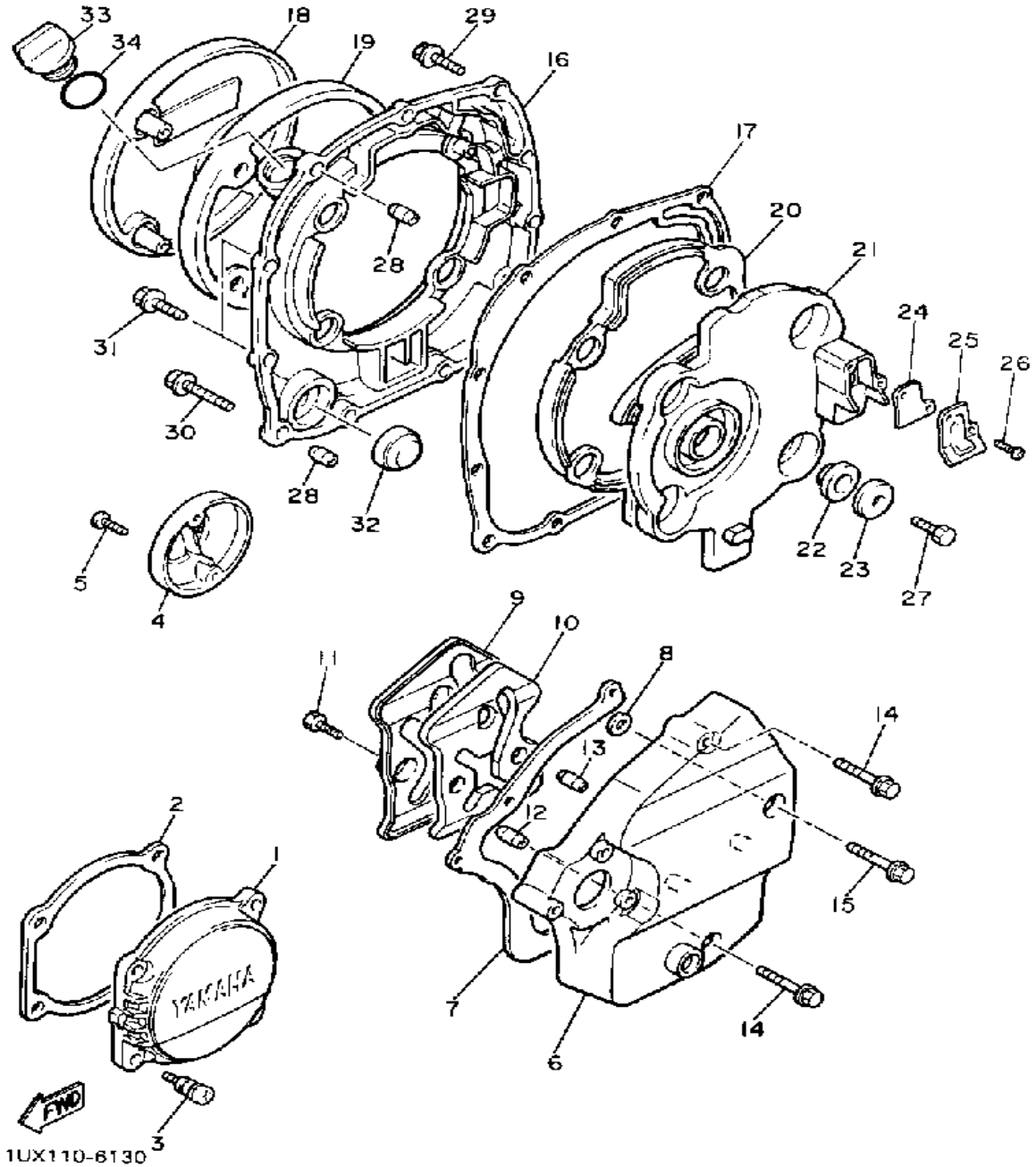
CONTINUED ON NEXT FRAME ►

# CRANKCASE



Ref. No.	Part Number	Description	Qty	Remarks
29	1TX-15365-00-00	GROMMET .....	1	
30	36Y-11166-00-00	PIPE, BREATHER 1 .....	1	
31	90467-14015-00	CLIP .....	1	
32	90467-14015-00	CLIP .....	1	
33	4H7-15189-00-00	PLUG .....	3	
34	93210-20573-00	O-RING .....	3	
35	90465-10251-00	CLAMP .....	1	
36	(90465-08252-00)	CLAMP .....	2	
37	90465-08253-00	CLAMP .....	1	
38	91316-06010-00	BOLT, SOCKET HEAD .....	1	
39	92906-06600-00	WASHER .....	1	
40	90387-100L4-00	COLLAR .....	1	
41	36Y-15336-00-00	DAMPER, ENG MOUNT 3 (4H7-15326-00) .....	3	
42	36Y-15317-00-00	SPACER, ENG MOUNT .....	1	
43	36Y-15326-00-00	DAMPER, ENGINE MOUNT 2 (2H7-15326-01-00) .....	2	
44	36Y-15327-00-00	SPACER, ENG MOUNT .....	1	
45	90462-10145-00	CLAMP .....	1	

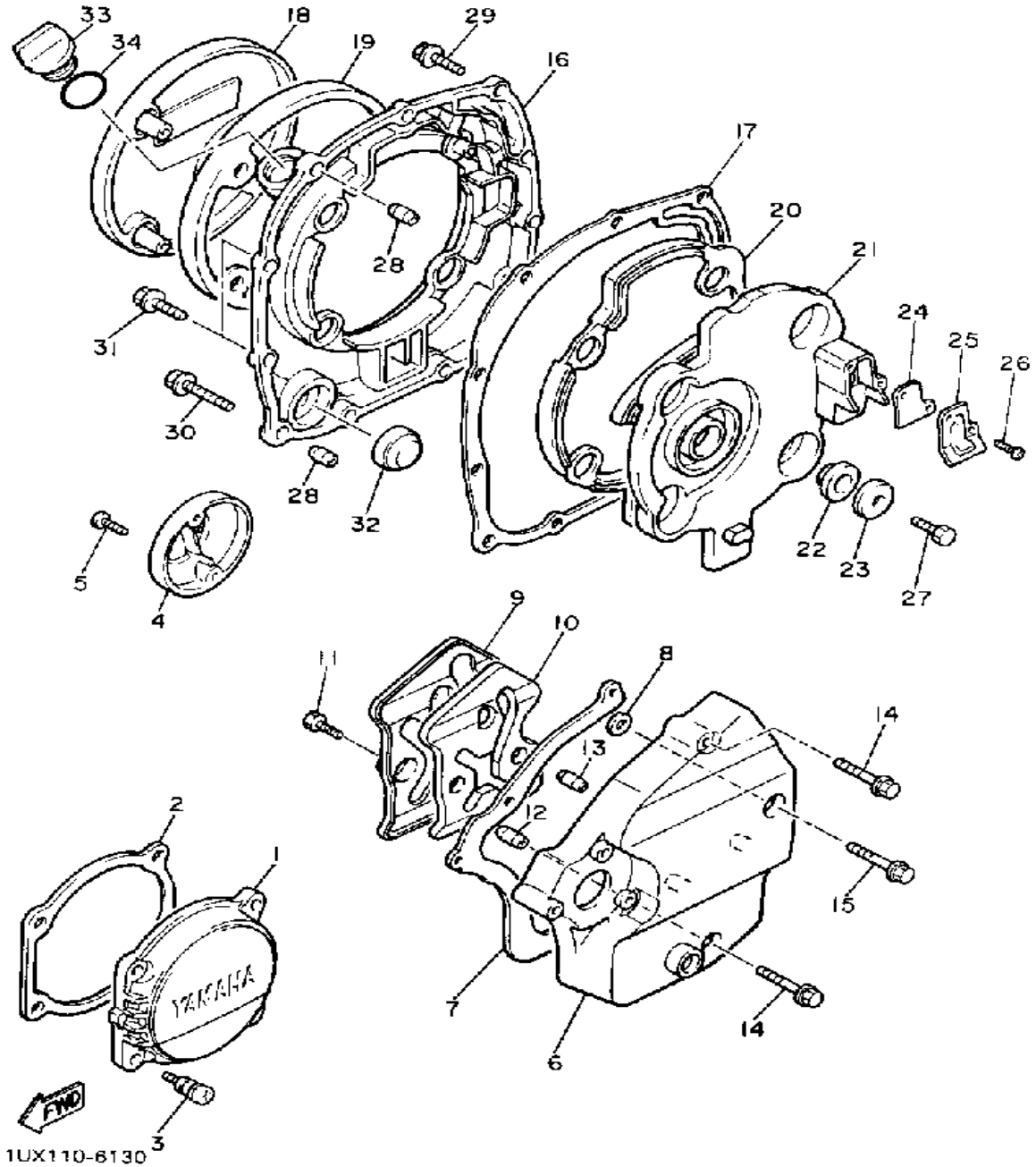
# CRANKCASE COVER 1



Ref. No.	Part Number	Description	Qty	Remarks
1	36Y-15416-00-00	COVER, OIL PUMP	1	
2	33M-15449-00-00	RING, RUBBER	1	
3	33M-15481-10-00	BOLT 1	4	
4	36Y-15426-00-00	COVER, OIL PUMP R	1	
5	90154-05026-00	SCREW, BINDING	2	
6	1TX-15411-01-00	COVER, CRANKCASE L	1	
7	4CR-15451-00-00	GASKET, CRCS COVERCRANKCASE COVER 1	1	
8	1UF-15467-00-00	GASKET	1	
9	1TX-15427-00-00	COVER, CAP 2	1	
10	1TX-15316-00-00	DAMPER, ENG MOUNT 1ENGINE MOUNT 1	1	
11	90153-06055-00	SCREW, HEXAGON	4	
12	99530-10014-00	PIN, DOWEL	1	
13	99510-08016-00	PIN, DOWEL	1	
14	95026-06040-00	BOLT, FLANGE	2	
15	95026-06050-00	BOLT, FLANGE	1	
16	3XW-W1543-00-00	CRANKCASE COVER AS	1	
17	4CR-15461-00-00	GASKET, CRCS CVR 2CRANKCASE 2	1	
18	36Y-15417-01-00	COVER, CAP	1	
19	36Y-15449-00-00	RING, RUBBER	1	
20	1TX-15367-00-00	GROMMET	1	
21	1TX-15346-00-00	BREATHER 1	1	
22	4H7-15486-00-00	GROMMET	4	
23	90209-06096-00	WASHER	4	
24	1TX-15374-00-00	GASKET, BREATHER	1	
25	1TX-15333-00-00	COVER	1	
26	98580-05010-00	SCREW, PAN HEAD	2	
27	91316-06012-00	BOLT, SOCKET HEAD	4	

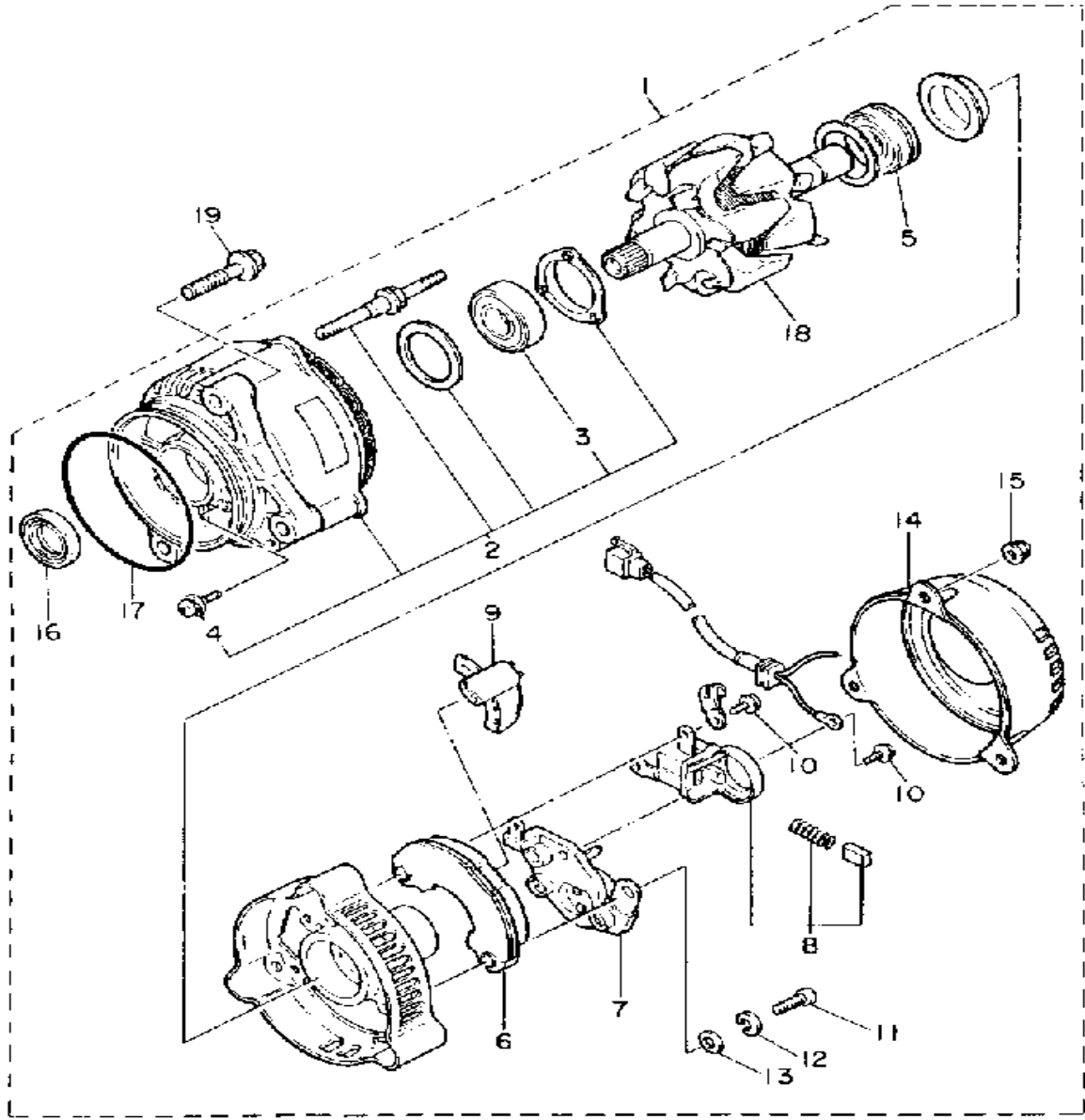
CONTINUED ON NEXT FRAME ►

# CRANKCASE COVER 1



Ref. No.	Part Number	Description	Qty	Remarks
28	99530-10014-00	PIN, DOWEL	2	
29	95026-06020-00	BOLT, FLANGE	7	
30	95026-06035-00	BOLT, FLANGE	2	
31	95026-06025-00	BOLT, FLANGE	2	
32	2H7-15361-00-00	GAUGE, LEVEL	1	
33	2H9-15363-00-00	PLUG, OIL	1	
34	93210-27778-00	O-RING	1	

# GENERATOR

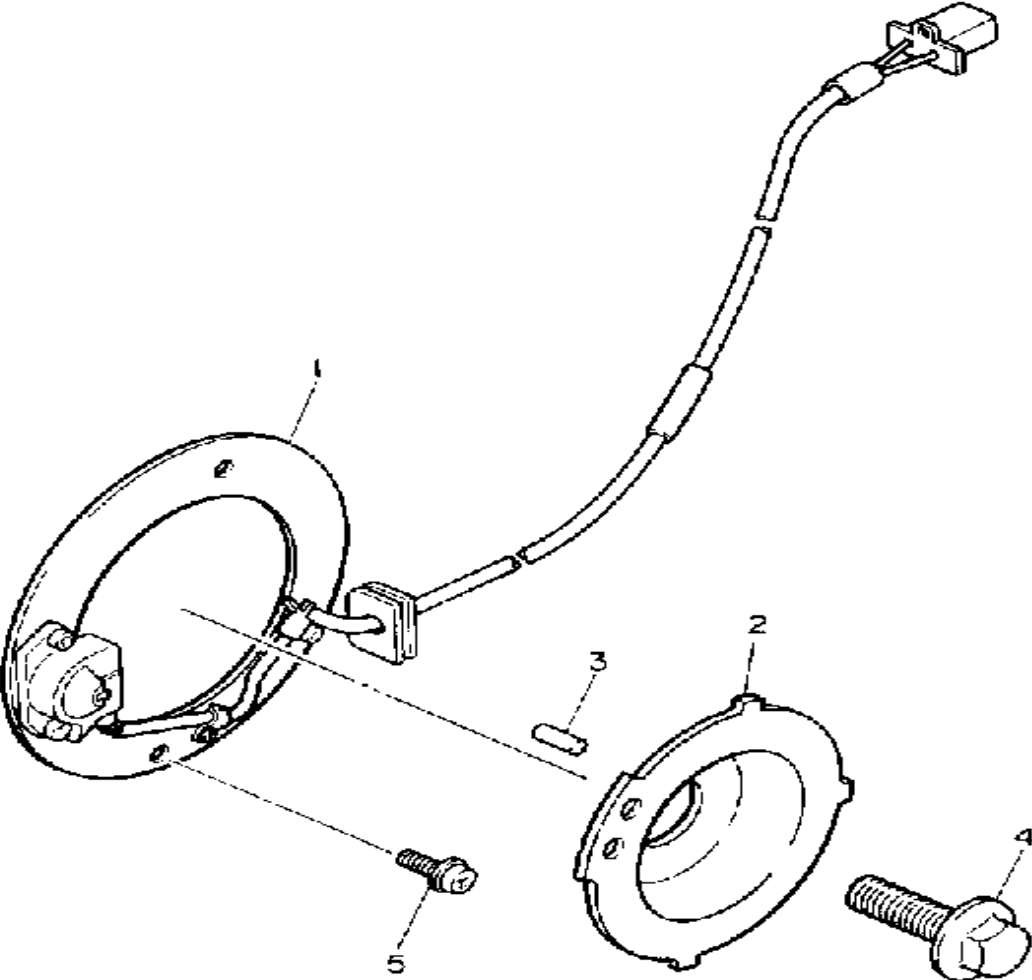


Ref. No.	Part Number	Description	Qty	Remarks
1	2GH-81600-55-00	A.C. GENERATOR ASSEMBLY	1	
2	2KT-81634-50-00	. . STATOR ASSEMBLY . . . . .	1	
4	2KT-81645-50-00	. . SCREW . . . . .	3	
5	36Y-81643-50-00	. BEARING . . . . .	1	
6	36Y-81970-50-00	. RECTIFIER ASSEMBLY . . . . .	1	
7	36Y-81910-50-00	. VOLTAGE REGULATOR ASSEMBLY . . . . .	1	
8	3FV-81619-00-00	. BRUSH HOLDER ASSEMBLY	1	
9	36Y-81972-50-00	. COVER, RECTIFIER . . . . .	1	
10	36Y-81645-30-00	. SCREW . . . . .	2	
11	98501-05018-00	. SCREW, PAN HEAD . . . . .	3	
12	92990-05100-00	. WASHER, SPRING . . . . .		
	UNA-VAILA-BL-EI	0 0 . . . . .	11	
13	92901-05600-00	. WASHER, PLATE . . . . .	3	
14	2GH-81604-50-00	. COVER ASSEMBLY . . . . .	1	
15	2KT-81675-50-00	. NUT . . . . .	3	
16	36Y-81638-50-00	. OIL SEAL . . . . .	1	
17	2KT-81642-50-00	. O-RING . . . . .	1	
18	2GH-81660-52-00	. ROTOR ASSEMBLY . . . . .	1	
19	95816-08030-00	BOLT, FLANGE . . . . .	3	

**FWD**  
3LE332-940C

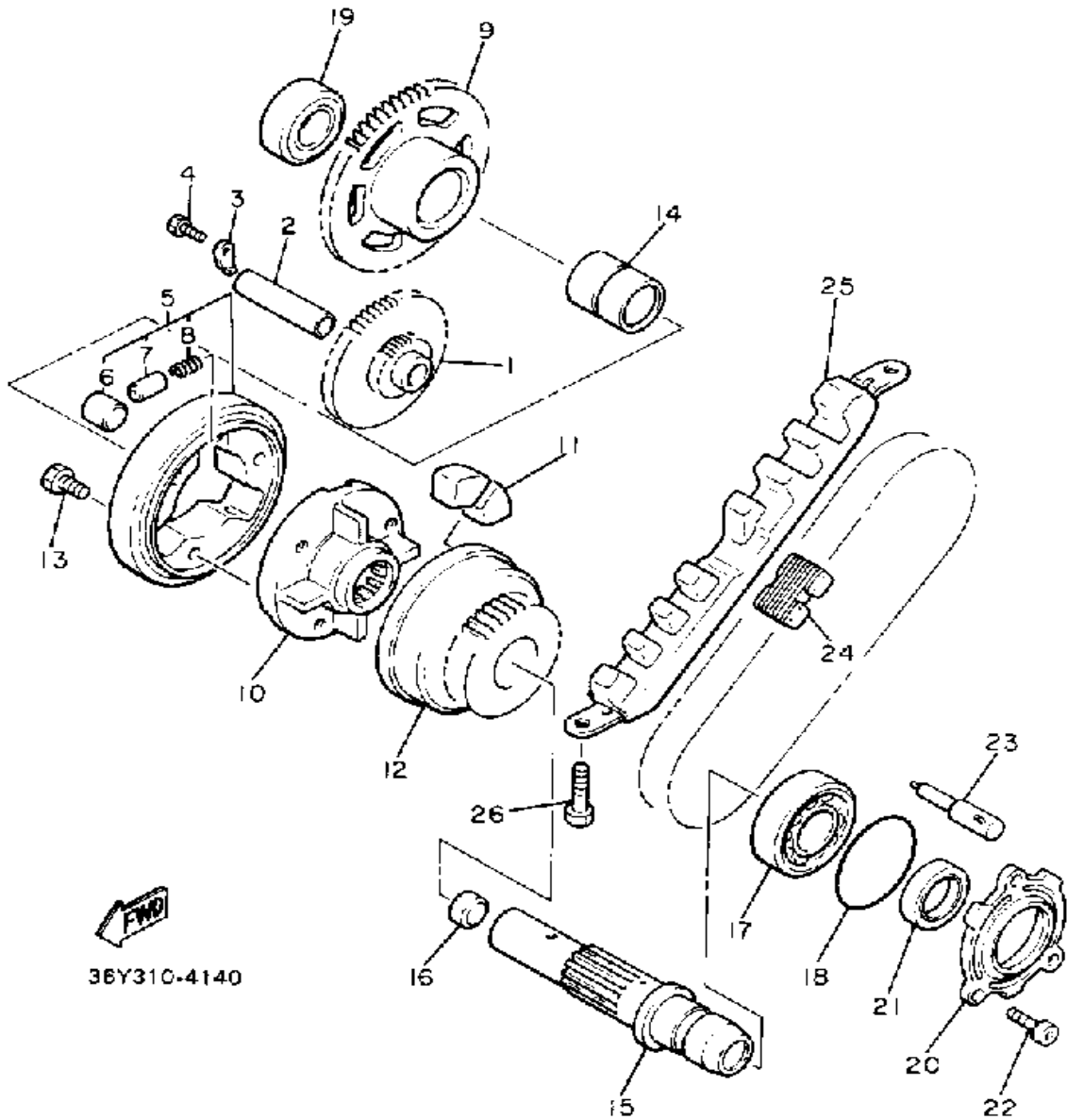
# PICK UP COIL - GOVERNOR

Ref. No.	Part Number	Description	Qty	Remarks
1	3CV-81671-00-00	BASE, PICKUP .....	1	
2	3CV-81673-00-00	ROTOR .....	1	
3	93604-08071-00	PIN, DOWEL .....	1	
4	90105-10445-00	BOLT, WASHER BASED .....	1	
5	90159-06107-00	SCREW, WITH WASHER .....	2	



3CV1310-8400

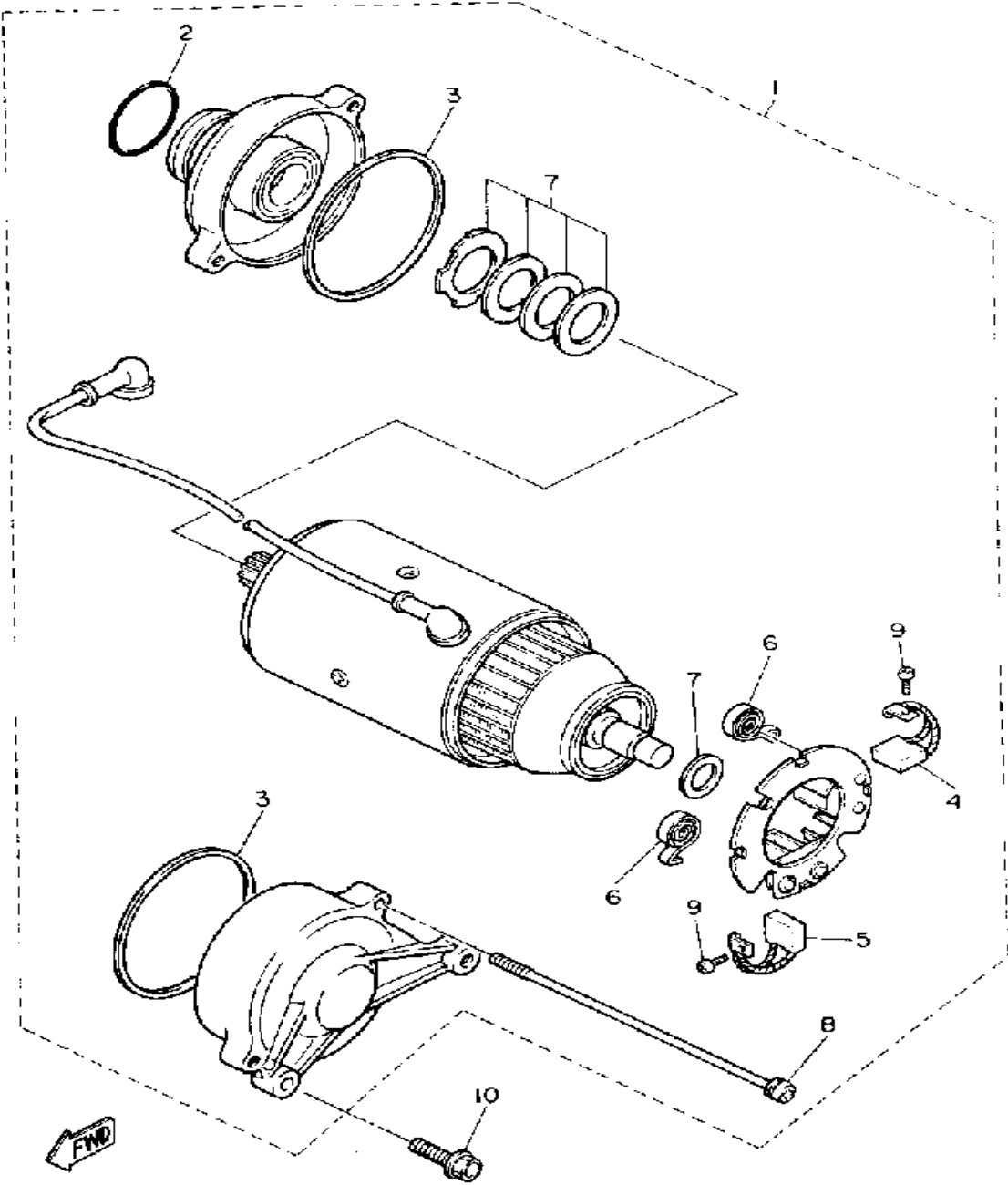
# STARTER



Ref. No.	Part Number	Description	Qty	Remarks
1	36Y-15512-01-00	GEAR, IDLER 1	1	
2	36Y-15521-01-00	SHAFT 1	1	
3	2H7-15531-00-00	PLATE, STOPPER	1	
4	97021-06012-00	BOLT	1	
5	36Y-15580-01-00	STR CLUTCH OTR ASSEMBLY OUTER ASSEMBLY	1	
6	93615-17125-00	. PIN, DOWEL	3	
7	1J7-15583-01-00	. CAP, STARTER CLUTCH SPRING	3	
8	90501-04503-00	. SPRING, COMPRESSION	3	
9	36Y-15517-01-00	GEAR, IDLER 2	1	
10	12R-15524-00-00	WHEEL, STARTER	1	
11	4H7-16155-01-00	ABSORBER 1	4	
12	36Y-15519-00-00	SPROCKET, STARTER 2	1	
13	91316-08016-00	BOLT, SOCKET HEAD	3	
14	90387-201L2-00	COLLAR	1	
15	3CV-15522-00-00	SHAFT 2	1	
16	90331-15039-00	PLUG	1	
17	93306-20545-00	BEARING	1	
18	93210-47440-00	O-RING	1	
19	93306-00426-00	BEARING	1	
20	36Y-15163-00-00	HOUSING, BEARING 1	1	
21	93102-25253-00	OIL SEAL	1	
22	91316-06016-00	BOLT, SOCKET HEAD	3	
23	36Y-13454-00-00	NOZZLE	1	
24	36Y-11456-00-00	CHAIN, PRIMARY	1	
25	36Y-11474-00-00	GUIDE, UPPER	1	
26	97011-06016-00	BOLT	2	



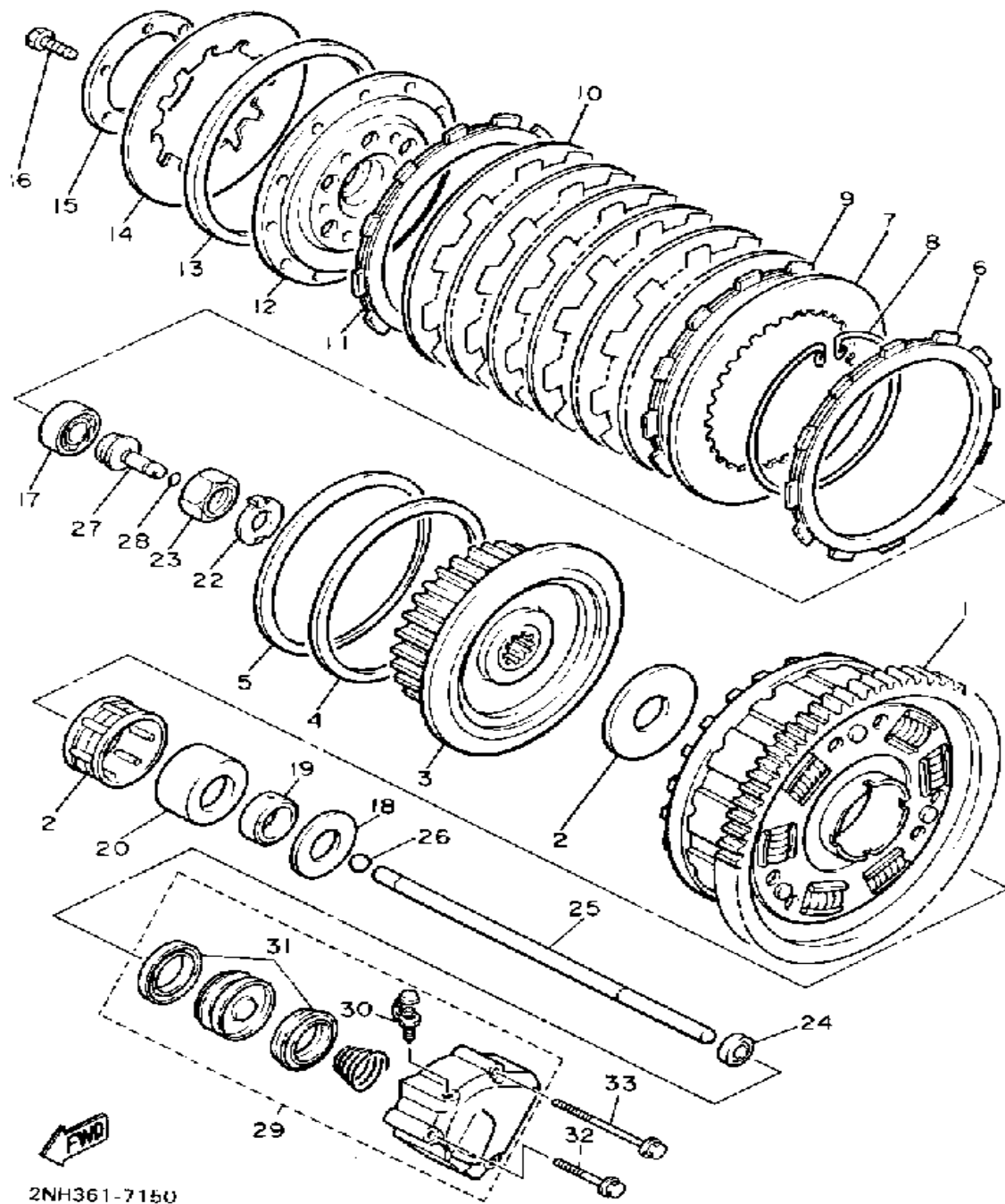
# STARTING MOTOR



Ref. No.	Part Number	Description	Qty	Remarks
1	36Y-81800-10-00	STARTING MOTOR ASSEMBLY	1	
2	26H-81847-00-00	. O-RING	1	
3	371-81847-20-00	. O-RING	2	
4	371-81811-20-00	. BRUSH 1	1	
5	371-81812-20-00	. BRUSH 2	1	
6	371-81813-20-00	. SPRING, BRUSH	2	
7	36Y-81809-00-00	. WASHER KIT	1	
8	36Y-81826-00-00	. BOLT	2	
9	98580-03008-00	. SCREW, PAN HEAD	2	
10	95026-06025-00	BOLT, FLANGE	2	

36Y310-4400

# CLUTCH

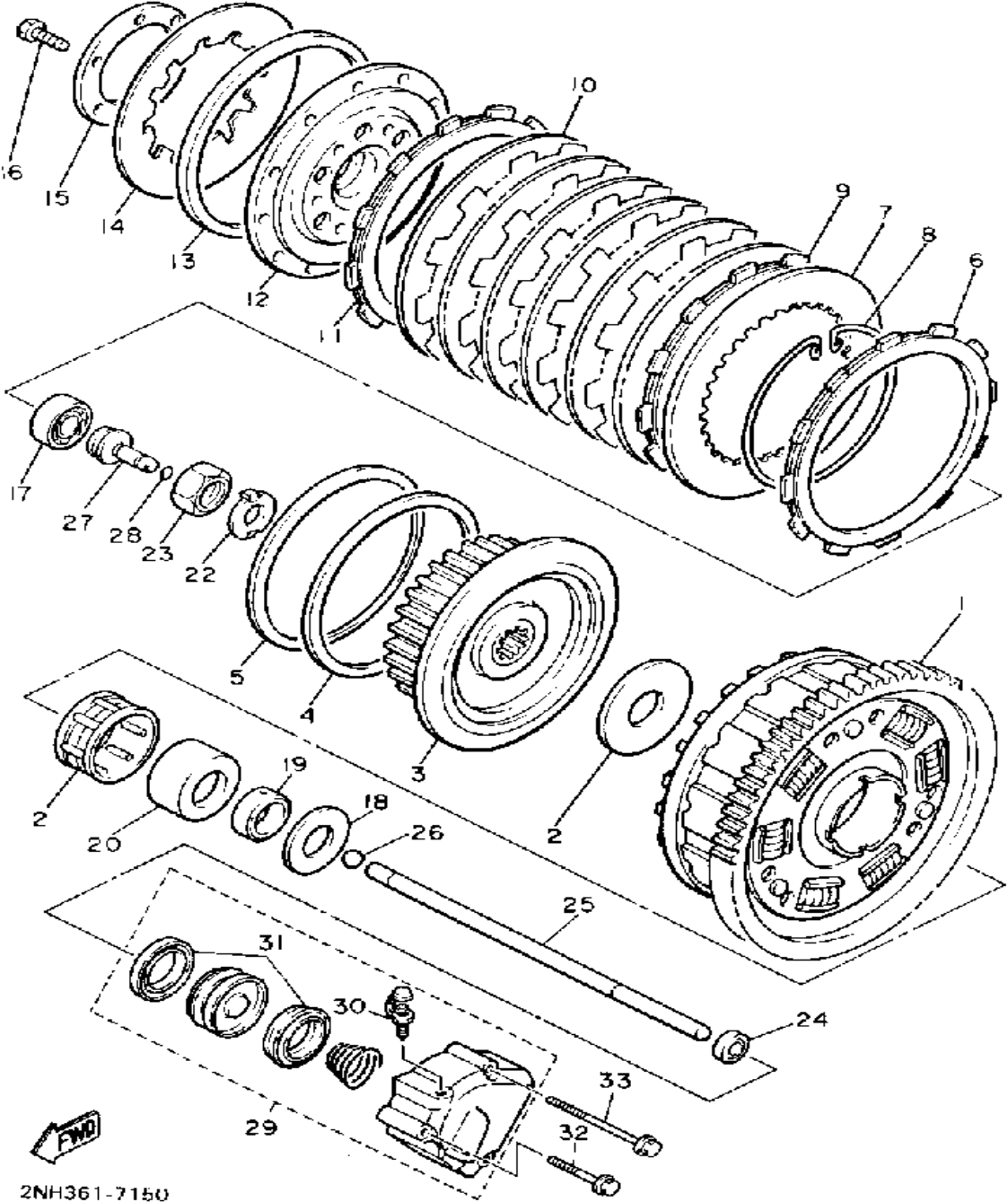


2NH361-7150

Ref. No.	Part Number	Description	Qty	Remarks
1	1TX-16150-00-00	PRI DRVN GEARGEAR COMP.	1	
2	36Y-16154-00-00	PLATE, THRUST 1	1	
3	36Y-16371-00-00	BOSS, CLUTCH	1	
4	36Y-16384-00-00	PLATE, SEAT	1	
5	36Y-16383-00-00	SPRING, CLUTCH BOSS	1	
6	36Y-16331-00-00	PLATE, FRICTION 2	1	
7	2H7-16325-00-00	PLATE, CLUTCH 2	1	
8	2H7-16385-00-00	RING, CLUTCH BOSS	1	
9	341-16321-13-00	PLATE, FRICTION	6	
10	2H7-16325-00-00	PLATE, CLUTCH 2	6	
11	36Y-16331-00-00	PLATE, FRICTION 2	1	
12	36Y-16351-00-00	PLATE, PRESSURE 1	1	
13	36Y-16335-00-00	HOUSING, SPRING	1	
14	1TX-16334-00-00	SPRING, CLUTCH 2	1	
15	1TX-16352-00-00	PLATE, PRESSURE 2	1	
16	97011-06016-00	BOLT	6	
17	93306-00315-00	BEARING (6003SH2C4)	1	
18	90201-286H8-00	WASHER, PLATE	1	
19	90387-284K1-00	COLLAR	1	
20	36Y-16181-00-00	SPACER 1	1	
21	93310-350M3-00	BEARING, CYLINDER.# 0	1	
22	90215-25218-00	WASHER, LOCK	1	
23	90170-20323-00	NUT	1	
24	93109-08061-00	OIL SEAL	1	
25	3CV-16357-00-00	ROD, PUSH 2	1	
26	93511-32027-00	BALL	1	
27	36Y-16356-00-00	ROD, PUSH 1	1	
28	93210-06632-00	O-RING	1	
29	36Y-16381-10-00	PUSH LEVER COMP.	1	

CONTINUED ON NEXT FRAME ►

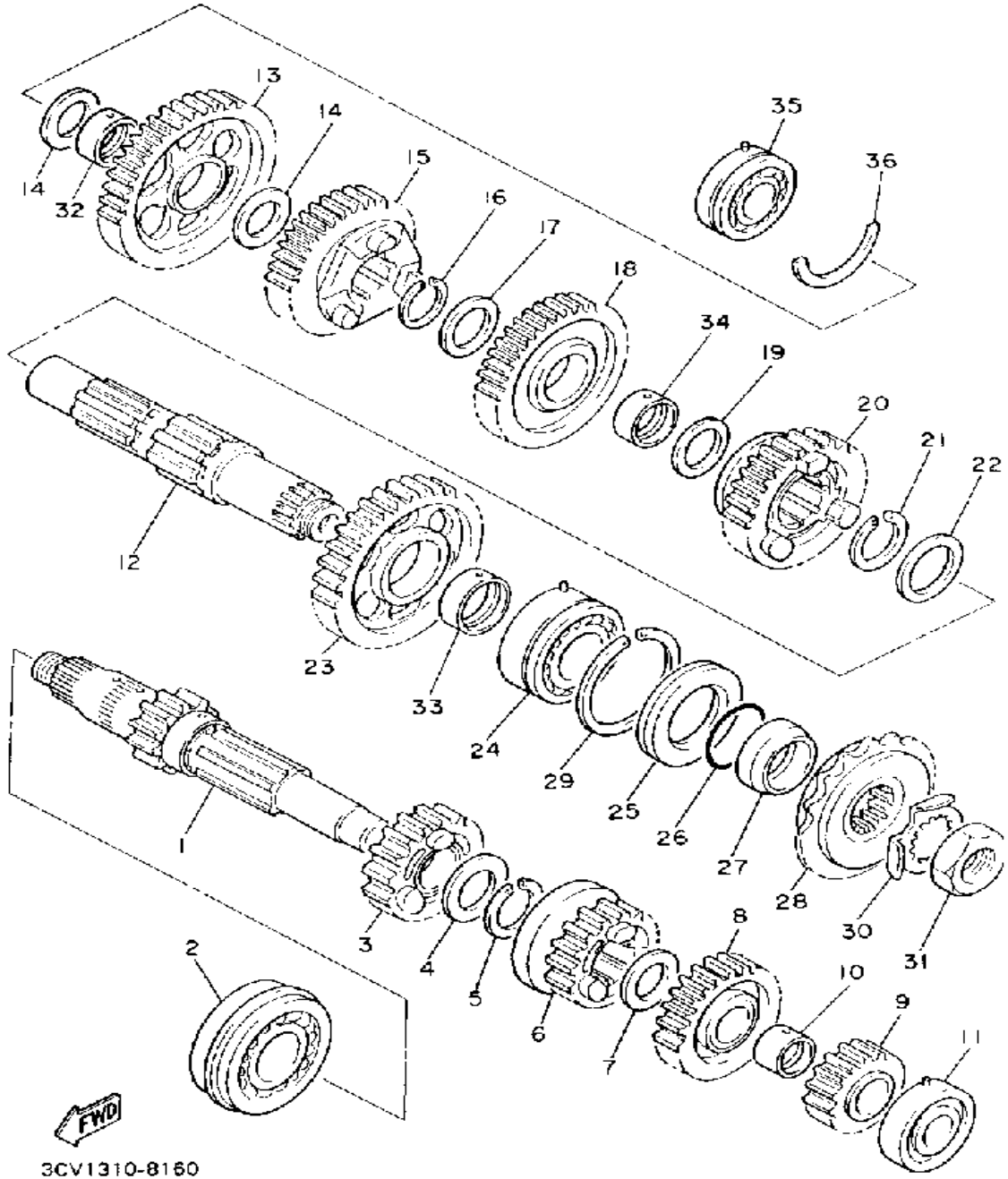
# CLUTCH



Ref. No.	Part Number	Description	Qty	Remarks
30	36Y-W0048-00-00	. BLEED SCREW KIT	1	
31	26H-W0098-00-00	. PUSH LEVER SEAL KIT	1	
32	95026-06040-00	BOLT, FLANGE	1	
33	90105-06306-00	BOLT, WASHER BASED	2	

2NH361-7150

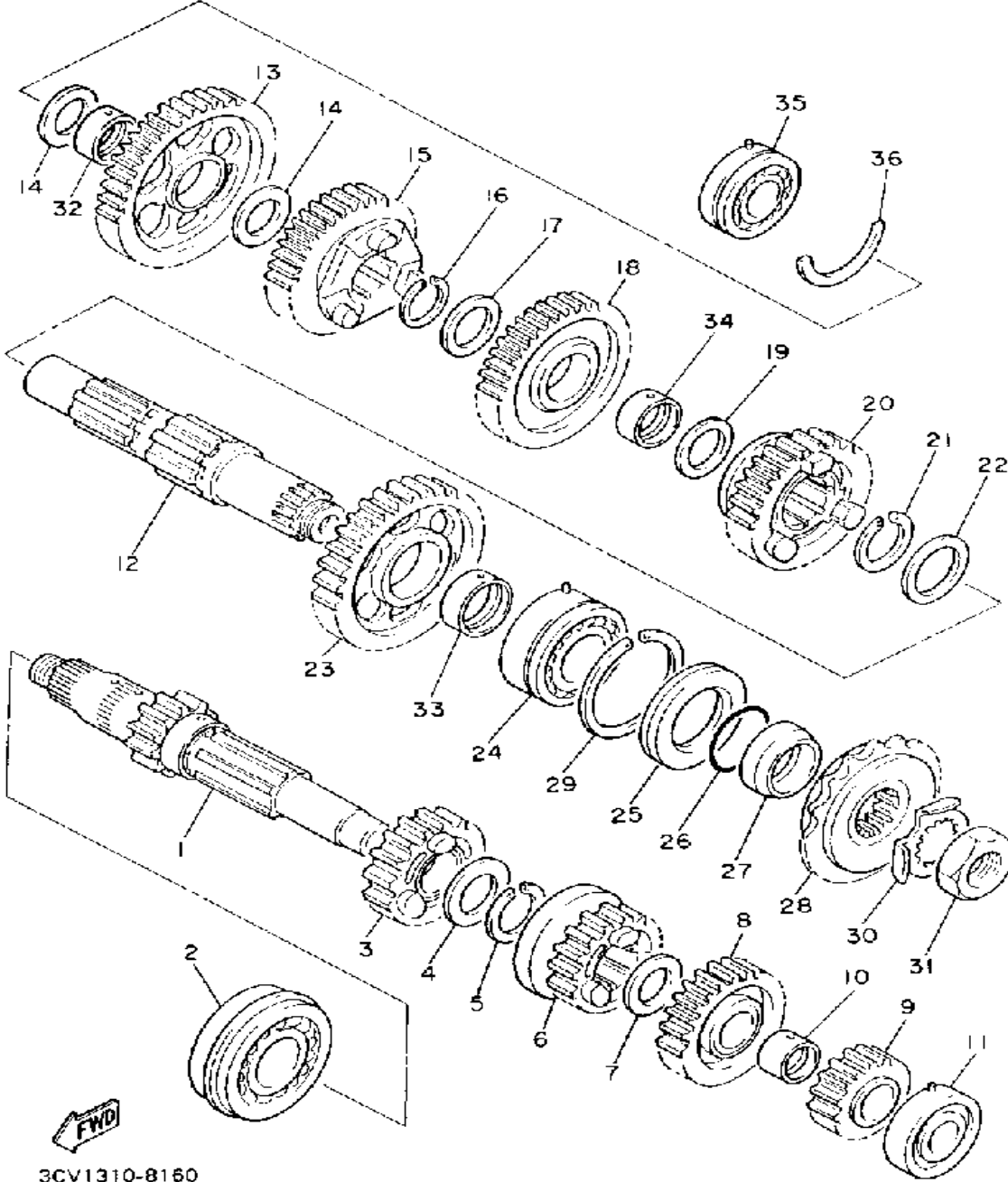
# TRANSMISSION



Ref. No.	Part Number	Description	Qty	Remarks
1	1TX-W1741-00-00	MAIN AXLE ASSEMBLY	1	
2	93306-36401-00	BEARING	1	
3	1TX-17141-00-00	GEAR, 4TH PINION	1	
4	90209-25196-00	WASHER	1	
5	93440-28062-00	CIRCLIP	1	
6	1TX-17131-00-00	GEAR, 3RD PINION	1	
7	90201-226H9-00	WASHER, PLATE	1	
8	1TX-17151-00-00	GEAR, 5TH PINION	1	
9	3CV-17121-00-00	GEAR, 2ND PINION	1	
10	90387-220R2-00	COLLAR	1	
11	93306-30434-00	BEARING	1	
12	1TX-17421-00-00	AXLE, DRIVE	1	
13	1TX-17211-00-00	GEAR, 1ST WHEEL	1	
14	90201-257H0-00	WASHER, PLATE	2	
15	36Y-17241-00-00	GEAR, 4TH WHEEL	1	
16	93440-30077-00	CIRCLIP	1	
17	90209-27192-00	WASHER	1	
18	1TX-17231-00-00	GEAR, 3RD WHEEL	1	
19	90201-307H1-00	WASHER, PLATE	1	
20	1TX-17251-00-00	GEAR, 5TH WHEEL	1	
21	93440-34025-00	CIRCLIP	1	
22	90209-32231-00	WASHER	1	
23	3CV-17221-00-00	GEAR, 2ND WHEEL	1	
24	93305-20605-00	BEARING	1	
25	93102-40330-00	OIL SEAL	1	
26	93210-30660-00	O-RING	1	
27	90387-304K7-00	COLLAR	1	
28	3CV-17460-00-00	SPROCKET, DRIVE 16T	1	
29	93440-62032-00	CIRCLIP, OUTER	1	

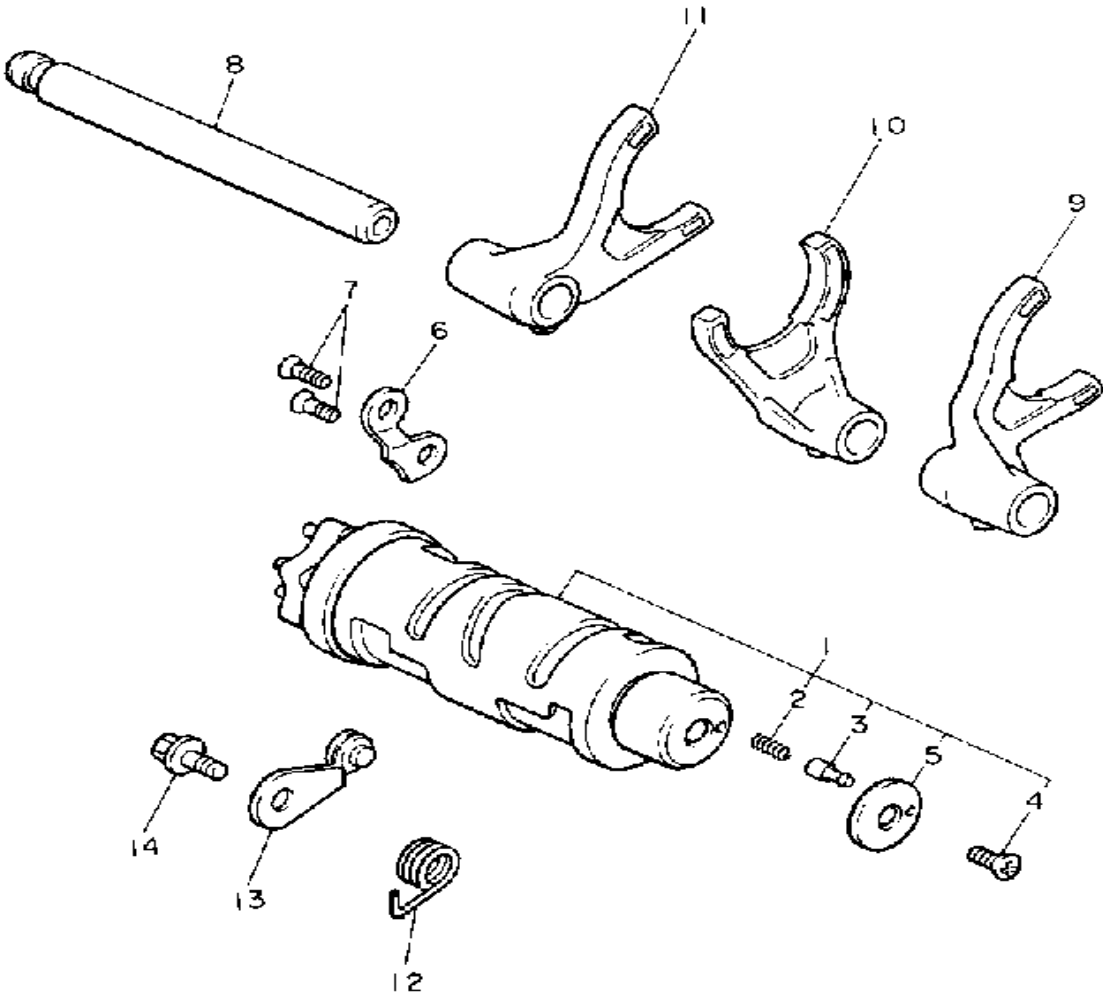
CONTINUED ON NEXT FRAME ►

# TRANSMISSION



Ref. No.	Part Number	Description	Qty	Remarks
30	90215-26241-00	WASHER, LOCK	1	
31	90179-22063-00	NUT	1	
32	90387-250R3-00	COLLAR	1	
33	90387-350R5-00	COLLAR	1	
34	90387-300R4-00	COLLAR	1	
35	93306-20561-00	BEARING	1	
36	93440-52118-00	CIRCLIP	1	

# SHIFT CAM - FORK

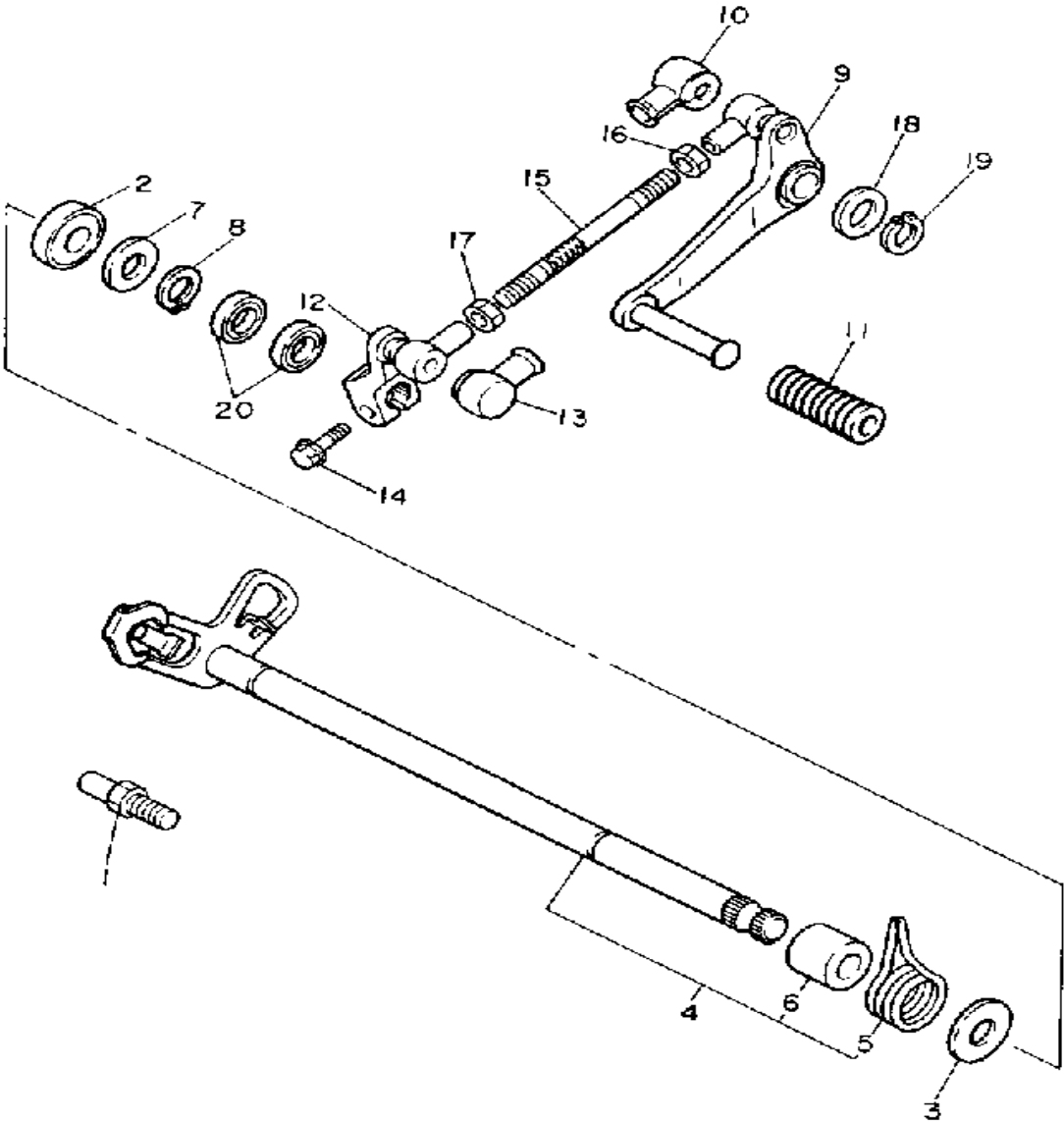


Ref. No.	Part Number	Description	Qty	Remarks
1	1TX-18540-01-00	SHIFT CAM ASSEMBLY	1	
2	90501-06022-00	. SPRING, COMPRESSION	1	
3	278-18542-00-00	. POINT, NEUTRAL	1	
4	98701-05012-00	. SCREW, FLAT HEAD	1	
5	278-18566-00-00	. PLATE, SIDE 2	1	
6	36Y-18562-00-00	PLATE, STOPPER 2	1	
7	98701-06014-00	SCREW, FLAT HEAD	2	
8	4G0-18531-00-00	BAR, SHIF FRK GDE 1	1	
9	1TX-18511-00-00	FORK, SHIFT 1	1	
10	1TX-18512-00-00	FORK, SHIFT 2	1	
11	1TX-18513-00-00	FORK, SHIFT 3	1	
12	90508-23707-00	SPRING, TORSION	1	
13	36Y-18140-00-00	STOPPER LEVER ASSEMBLY	1	
14	90109-063F7-00	BOLT	1	



36Y310-4170

# SHIFT SHAFT

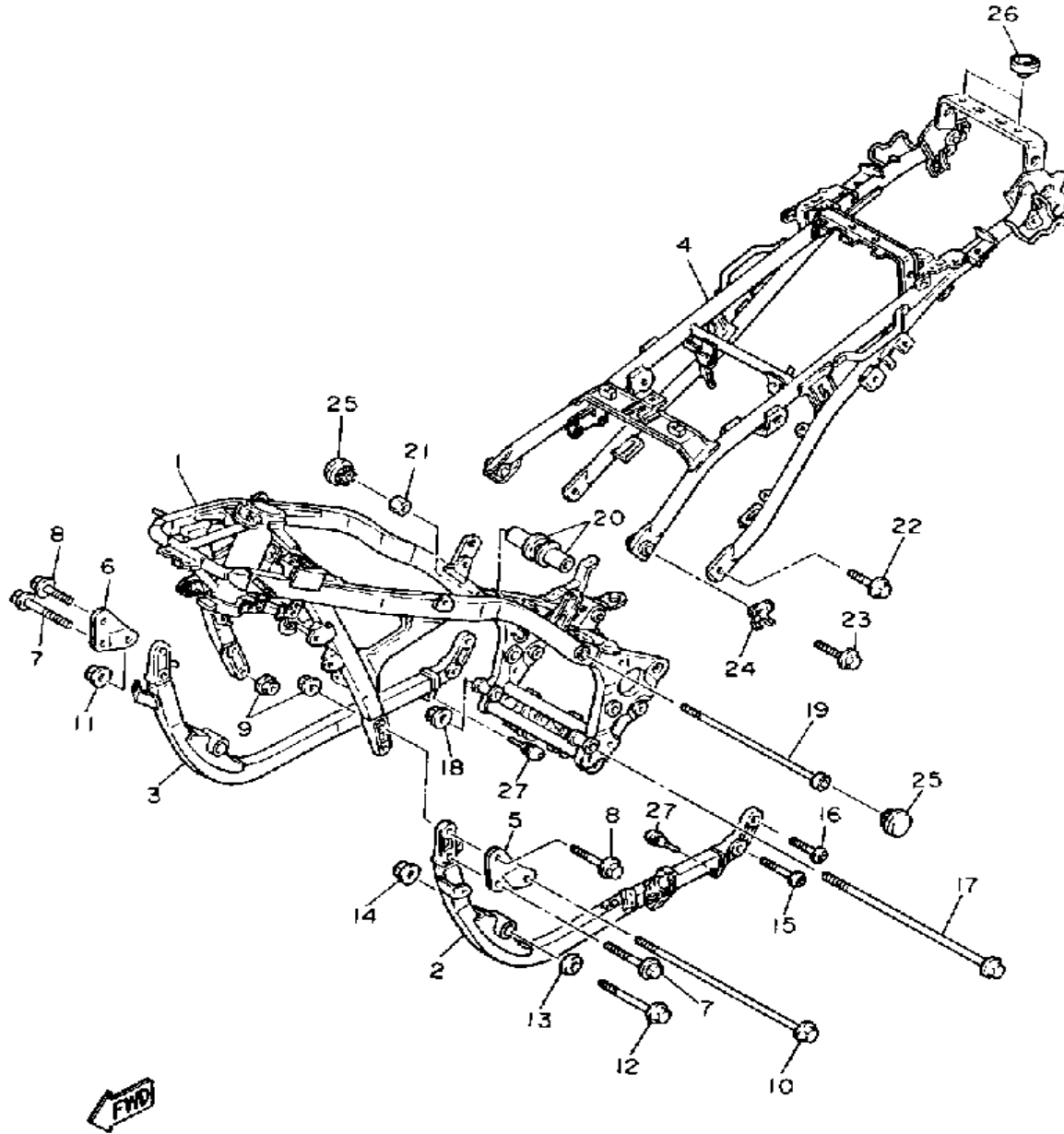


Ref. No.	Part Number	Description	Qty	Remarks
1	4G0-18127-00-00	STOPPER, SCREW	1	
2	93102-12321-00	OIL SEAL, SD-TYPE	1	
3	90201-12588-00	WASHER, PLATE	1	
4	1TX-18101-00-00	SHIFT SHAFT ASSEMBLY 1	1	
5	90508-32682-00	. SPRING, TORSION	1	
6	90387-114K8-00	. COLLAR	1	
7	90201-12575-00	WASHER, PLATE	1	
8	99006-10600-00	CIRCLIP	1	
9	36Y-18111-00-00	PEDAL, SHIFT	1	
10	2H9-18154-00-00	COVER, DUST	1	
11	132-18113-01-00	COVER, SHIFT PEDAL	1	
12	1TX-18112-00-00	ARM, SHIFT	1	
13	2H9-18154-00-00	COVER, DUST	1	
14	95811-06020-00	BOLT, FLANGE	1	
15	36Y-18115-00-00	ROD, SHIFT	1	
16	90170-06228-00	NUT (COUNTER CLOCKWISE)	1	
17	95380-06700-00	NUT	1	
18	90201-124E4-00	WASHER, PLATE	1	
19	99009-12400-00	CIRCLIP	1	
20	93109-12053-00	OIL SEAL (SDO 12/18/4-1)	2	



1UX110-6180

# FRAME



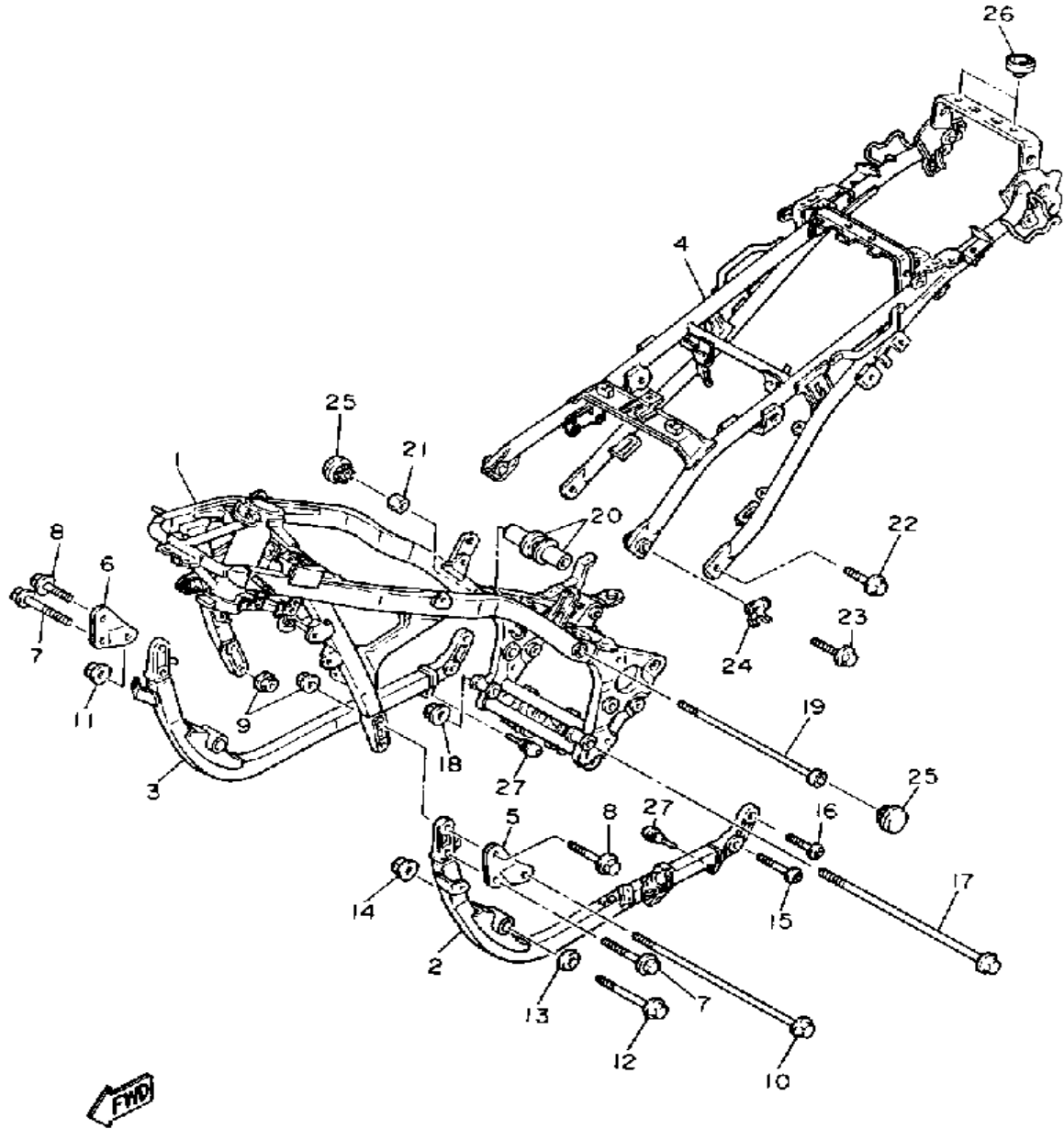
3SK110-9190

Ref. No.	Part Number	Description	Qty	Remarks
1	3BC-21110-01-35	FRAME .....	1	UR SILVER NON-CALIF
	3SK-21110-01-35	FRAME .....	1	UR SILVER FOR CALIF
2	3GP-21140-00-35	TUBE, DOWN .....	1	UR SILVER NON-CALIF
	3SK-21140-00-35	TUBE, DOWN .....	1	UR SILVER FOR CALIF
3	3GP-21150-00-35	DOWN TUBE COMP 2 .....	1	UR SILVER NON-CALIF
	3SK-21150-00-35	DOWN TUBE COMP 2 .....	1	UR SILVER FOR CALIF
4	3CV-21190-00-33	FRAME, REAR .....	1	YAMAHA BLACK
5	36Y-21315-00-00	STAY, ENGINE 2 .....	1	
6	36Y-21316-00-00	STAY, ENGINE 3 .....	1	
7	90105-08310-00	BOLT, WASHER BASED .....	2	
8	90105-08311-00	BOLT, WASHER BASED .....	2	
9	90179-08246-00	NUT, SPEC'L SHAPE .....	4	
10	90105-10313-00	BOLT, WASHER BASED .....	1	
11	90179-10247-00	NUT .....	1	
12	90105-10312-00	BOLT, WASHER BASED .....	2	
13	90208-10039-00	WASHER, CONICAL SPR .....	2	
14	90179-10247-00	NUT .....	2	
15	90149-08255-00	SCREW, SPEC'L SHAPE .....	2	
16	90149-08254-00	SCREW, SPEC'L SHAPE .....	2	
17	90105-12523-00	BOLT, WASHER BASED .....	1	
18	90179-12421-00	NUT, SPEC'L SHAPE .....	1	
19	90110-10073-00	BOLT, HEX SKT HEAD .....	1	
20	90387-101V2-00	COLLAR .....	2	
21	90179-10377-00	NUT, SPEC'L SHAPE .....	1	
22	90149-10276-00	SCREW, SPEC'L SHAPE .....	2	

CONTINUED ON NEXT FRAME ►



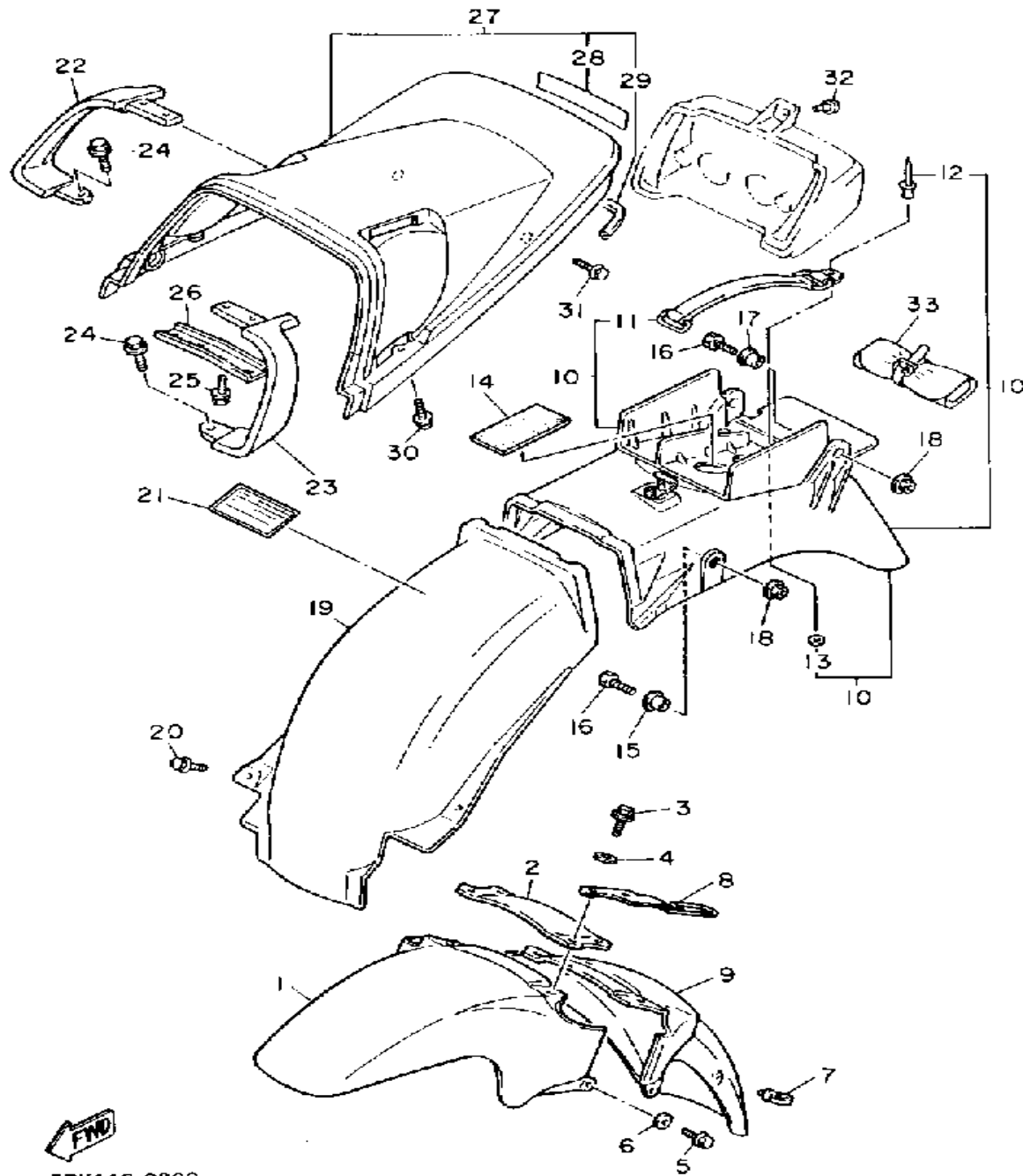
# FRAME



Ref. No.	Part Number	Description	Qty	Remarks
23	90101-10524-00	BOLT .....	2	
24	36Y-21491-00-00	WASHER, LOCK .....	2	
25	36Y-21470-00-00	CAP ASSEMBLY .....	2	
26	1L9-24741-00-00	PAD, SEAT .....	2	
27	90338-04209-00	PLUG, SPEC'L SHAPE .....	2	

3SK110-9190

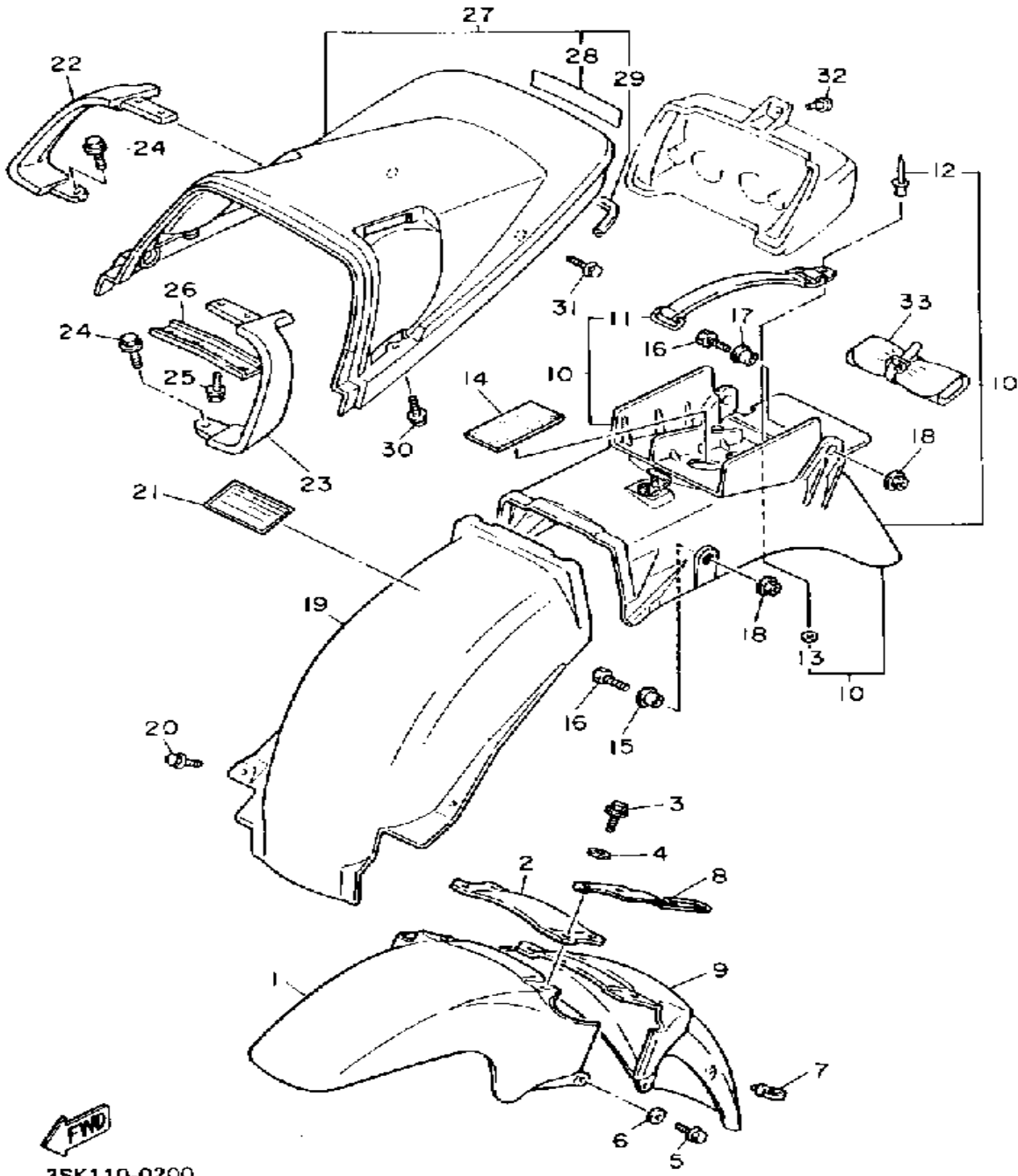
# FENDER



Ref. No.	Part Number	Description	Qty	Remarks
1	36Y-21511-01-MW	FENDER, FRONT	1	UR BLUISH BLACK
	36Y-21511-01-P0	FENDER, FRONT	1	UR LIGHT GRAYISH BLUOMETALLIC 1
2	36Y-21512-00-00	BRACKET, FENDER	1	
3	95023-06020-00	BOLT, FLANGE	4	
4	90201-06050-00	WASHER, PLATE	4	
5	95026-06020-00	BOLT, FLANGE	2	
6	90201-062A8-00	WASHER, PLATE	2	
7	1A8-21518-00-00	HOLDER, CABLE	1	
8	3CV-21596-00-00	HOLDER	1	
9	36Y-21556-01-MW	FENDER, FRONT 2	1	UR BLUISH BLACK
	36Y-21556-01-P0	FENDER, FRONT 2	1	UR LIGHT GRAYISH BLUOMETALLIC 1
10	47M-W2161-01-00	REAR FENDER	1	
11	36Y-21376-00-00	. BAND, TOOL	1	
12	90267-40076-00	. RIVET, BLIND	1	
13	92901-04600-00	. WASHER, PLATE	1	
14	26H-2848K-00-00	SEAT 2	1	
15	90387-06648-00	COLLAR	2	
16	97011-06020-00	BOLT	4	
17	90387-06648-00	COLLAR	2	
18	95706-06500-00	NUT, FLANGE	4	
19	36Y-21629-00-00	GUARD, MUD	1	
20	90119-06056-00	BOLT, WITH WASHER	2	
21	3SK-2179R-10-00	PLATE, EPA CAL 2	1	UR CALIF
	3SK-2179V-10-00	PLATE, EPA U 9	1	UR NON-CALIF
22	1TX-21645-00-00	STAY, REAR	1	
23	1TX-21644-00-00	STAY, REAR	1	
24	95821-08020-00	BOLT, FLANGE (95801-08020)	2	

CONTINUED ON NEXT FRAME ►

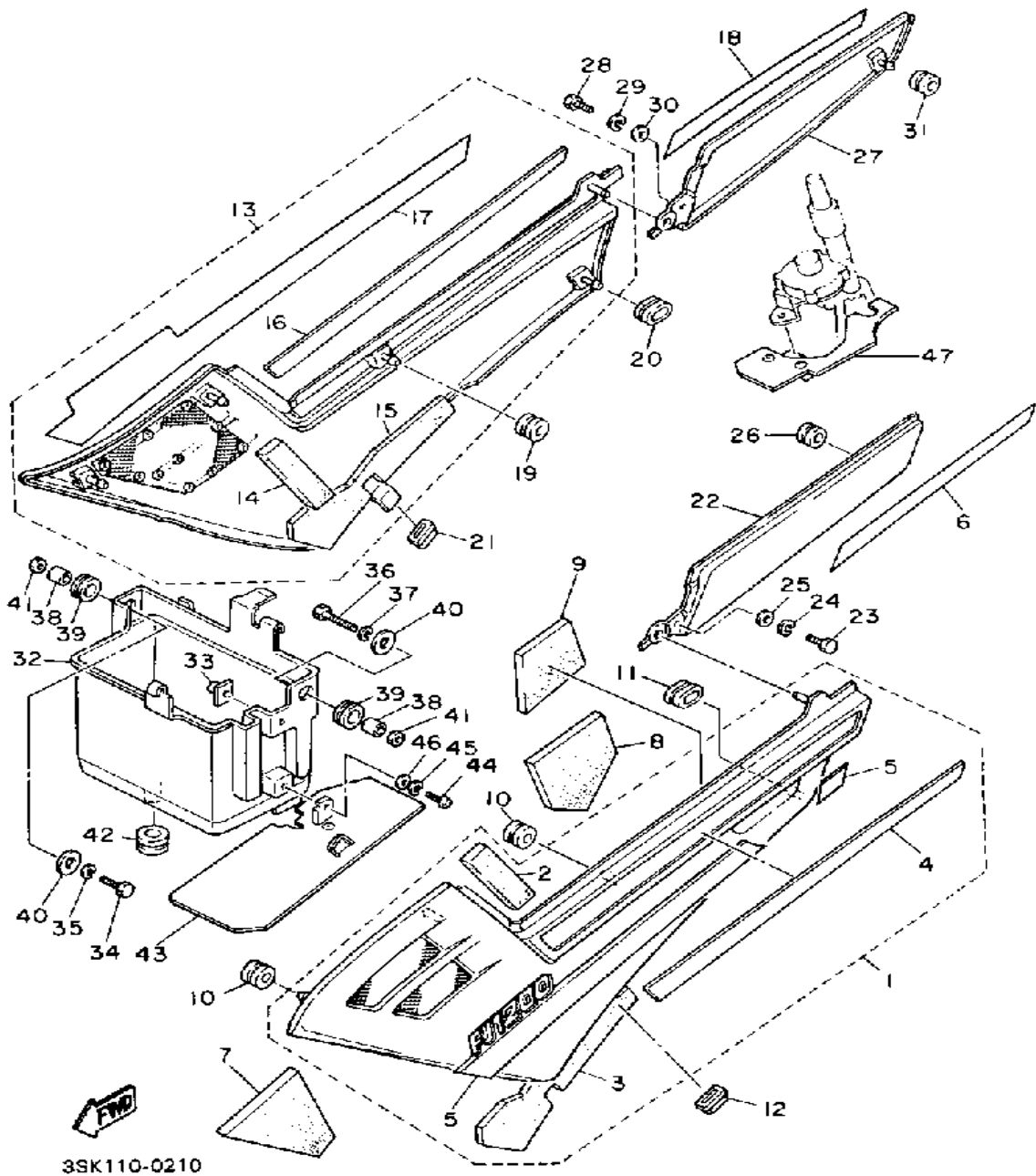
# FENDER



3SK110-0200

Ref. No.	Part Number	Description	Qty	Remarks
25	95821-06014-00	BOLT, FLANGE	4	
26	1TX-2164F-00-00	STAY 1	1	
27	1TX-Y2165-30-P0	COVER, REAR FENDER	1	UR SILKY WHITE/ MARBLE SILVER
	1TX-Y2165-40-MW	COVER, REAR FENDER	1	UR BLUISH BLACK
28	99224-00020-00	. EMBLEM, YAMAHA	1	UR FOR LGBM 1
	99226-00020-00	. EMBLEM, YAMAHA	1	UR FOR BIB
29	36Y-21649-00-00	. DAMPER	1	
30	90159-05022-00	SCREW, WITH WASHER	2	
31	90119-06044-00	BOLT, WITH WASHER	2	
32	36Y-21639-00-00	DAMPER 2	1	
33	36Y-28100-01-00	TOOL KIT	1	

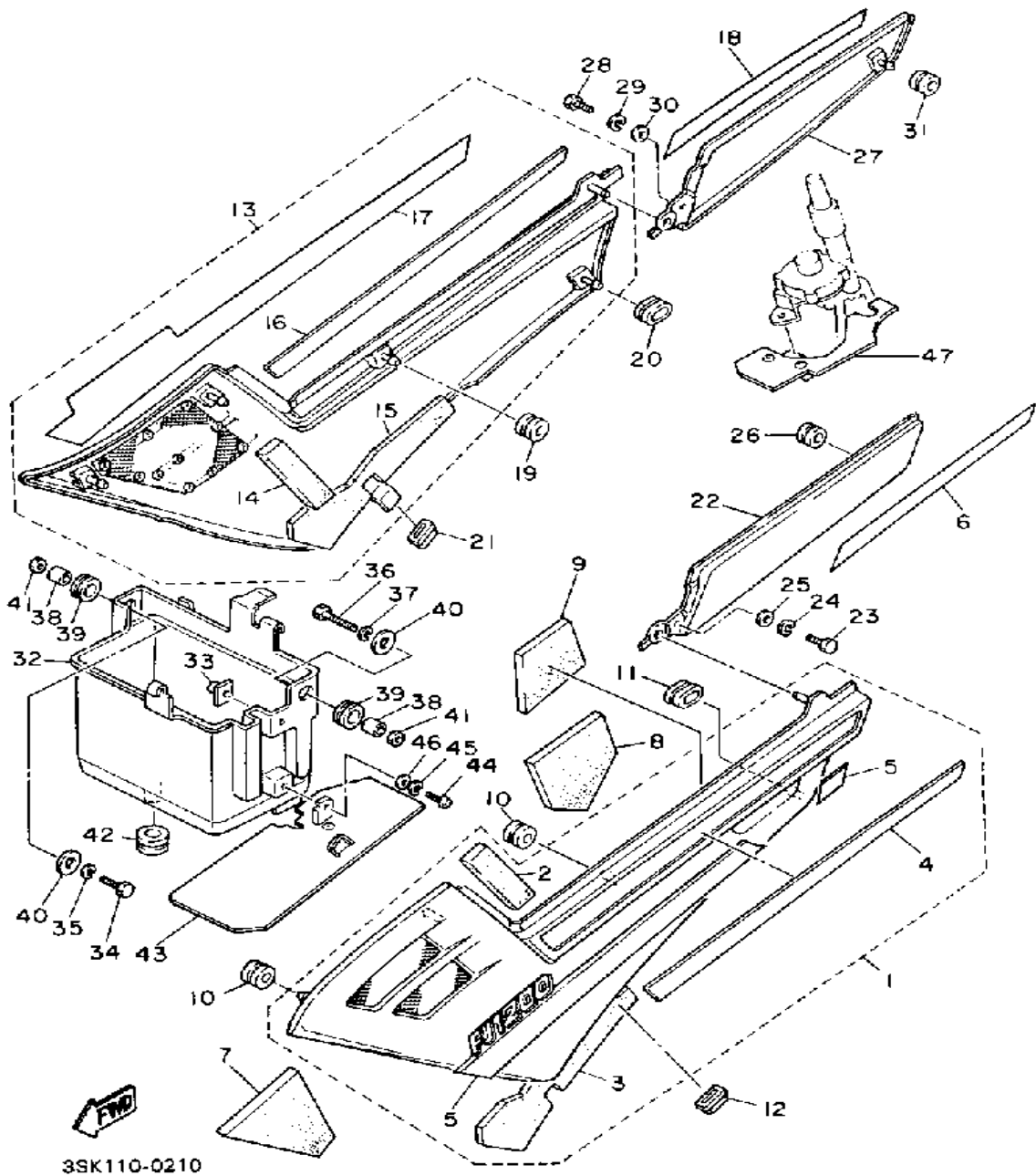
# SIDE COVER



Ref. No.	Part Number	Description	Qty	Remarks
1	36Y-Y2171-20-0Y 36Y-Y2171-31-1Y	COVER, SIDE 1 COVER, SIDE 1 (3BC-Y2171-10-8X)	1	UR SILKY WHITE UR YAMAHA BLACK
2	36Y-21735-00-00	. SEAL 2	1	
3	36Y-21746-01-00	. DAMPER	1	
4	1TX-2171L-00-00 3CV-2171L-20-00	. MOLD, SIDE COVER 1 . MOLD, SIDE COVER 1	1	UR FOR YB UR FOR SW
5	3CV-2173L-20-00 3CV-2173L-30-00	. GRAPHIC SET 1 . GRAPHIC SET 1	1	UR FOR SW UR FOR YB
6	3CV-2174G-20-00 3CV-2174G-30-00	. GRAPHIC 3 . GRAPHIC 3	1	UR FOR SW UR FOR YB
7	3BC-21778-00-00	DAMPER, LOCATING 1	1	
8	3BC-21779-00-00	DAMPER, LOCATING 2	1	
9	3BC-2177M-00-00	DAMPER, LOCATING	1	
10	90480-01401-00	GROMMET	3	
11	90480-13398-00	GROMMET	1	
12	90480-01390-00	GROMMET	1	
13	36Y-Y2172-20-0Y 36Y-Y2172-31-1Y	COVER, SIDE 2 COVER, SIDE 2 (3CV-Y2172-11-8X)	1	UR SILKY WHITE UR YAMAHA BLACK
14	36Y-21735-00-00	. SEAL 2	1	
15	36Y-21747-01-00	. DAMPER	1	
16	1TX-2171M-00-00 3CV-2171M-20-00	. MOLD, SIDE COVER 2 . MOLD, SIDE COVER 2	1	UR FOR YB UR FOR SW
17	3CV-2174J-20-00 3CV-2174J-30-00	. GRAPHIC 5 . GRAPHIC 5	1	UR FOR SW UR FOR YB
18	3CV-2174H-20-00 3CV-2174H-30-00	GRAPHIC 4 GRAPHIC 4	1	UR FOR SW UR FOR YB
19	90480-01401-00	GROMMET	3	

CONTINUED ON NEXT FRAME ►

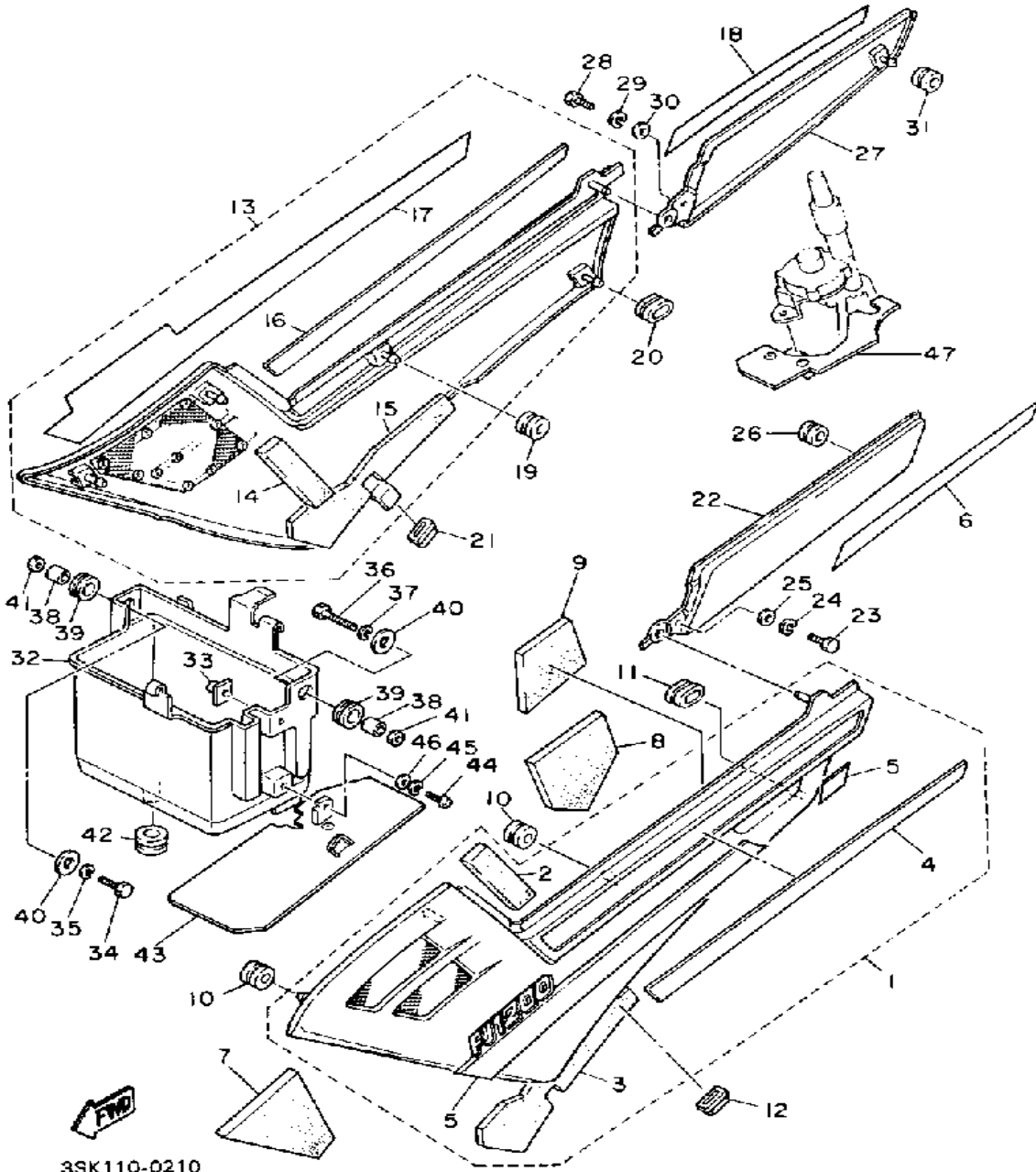
# SIDE COVER



Ref. No.	Part Number	Description	Qty	Remarks
20	90480-13398-00	GROMMET	1	
21	90480-01390-00	GROMMET	1	
22	36Y-21731-00-33	COVER, SIDE 3	1	UR YAMAHA BLACK
	36Y-21731-00-GE	COVER, SIDE 3	1	UR SILKY WHITE
23	97313-06016-00	BOLT, HEXAGON	1	
24	92995-06100-00	WASHER, SPRING	1	
25	90201-062G3-00	WASHER, PLATE	1	
26	90480-13163-00	GROMMET	1	
27	36Y-21741-00-33	COVER, SIDE 4	1	UR YAMAHA BLACK
	36Y-21741-00-GE	COVER, SIDE 4	1	UR SILKY WHITE
28	97313-06016-00	BOLT, HEXAGON	1	
29	92995-06100-00	WASHER, SPRING	1	
30	90201-062G3-00	WASHER, PLATE	1	
31	90480-13163-00	GROMMET	1	
32	36Y-21245-00-00	BOX	1	
33	31A-14477-00-00	PLATE	1	
34	97011-06020-00	BOLT	1	
35	92995-06100-00	WASHER, SPRING	1	
36	97022-06025-00	BOLT	1	
37	92995-06100-00	WASHER, SPRING	1	
38	90387-060A7-00	COLLAR	2	
39	90480-16233-00	GROMMET	2	
40	90201-06407-00	WASHER, PLATE (90201-06747-00)	2	
41	95311-06600-00	NUT	2	
42	90480-23192-00	GROMMET	1	
43	(36Y-2172G-00-00)	UNAVAILABLE IN PRICE BOOK	1	
44	98506-06016-00	SCREW, PANHEAD	1	
45	92906-06100-00	WASHER, SPRING	1	

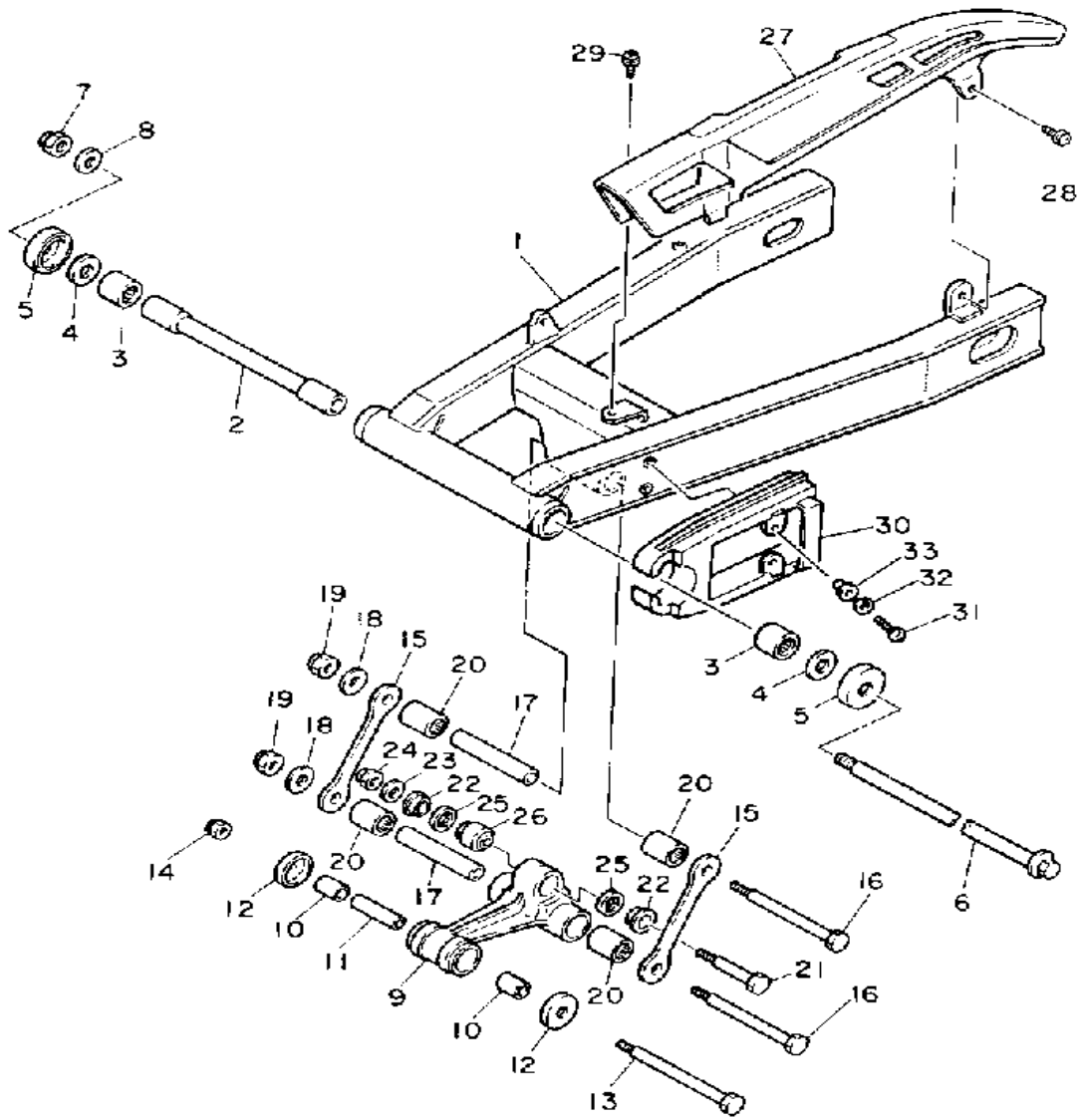
CONTINUED ON NEXT FRAME ►

# SIDE COVER



Ref. No.	Part Number	Description	Qty	Remarks
46	92906-06600-00	WASHER .....	1	
47	3CV-2172H-00-00	PANEL 1 .....	1	

# SWING ARM



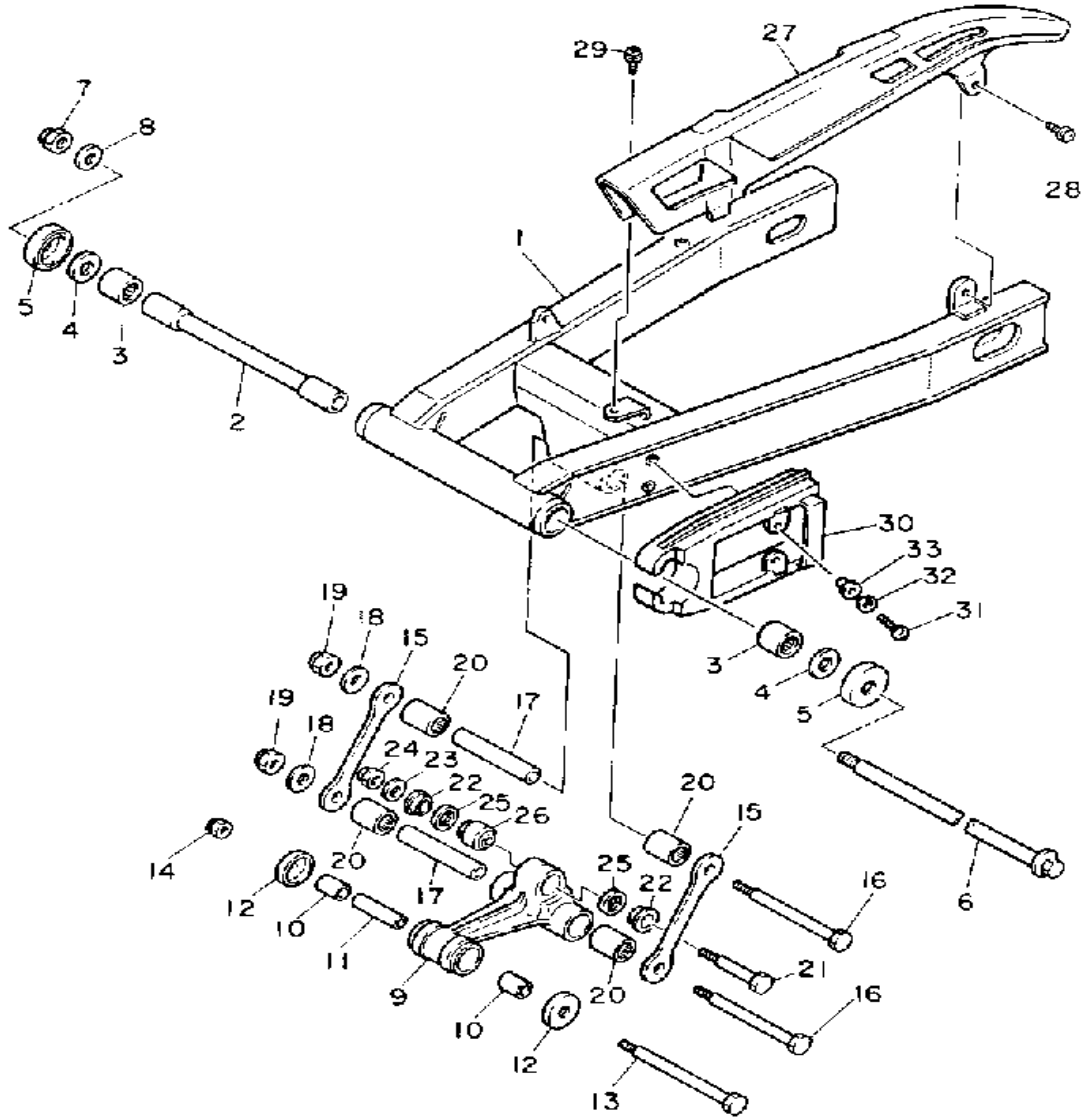
Ref. No.	Part Number	Description	Qty	Remarks
1	3CV-22110-00-00	REAR ARM .....	1	
2	36Y-22184-00-00	BUSH .....	1	
3	93317-42550-00	BEARING .....	2	
4	36Y-22127-00-00	SHIM .....	2	
5	36Y-22128-00-00	COVER, THRUST 1 .....	2	
6	36Y-22141-00-00	SHAFT, PIVOT .....	1	
7	90185-14070-00	NUT, SELF-LOCKING .....	1	
8	90201-142M6-00	WASHER, PLATE .....	1	
9	3CV-2217A-00-00	ARM, RELAY .....	1	
10	93315-21813-00	BEARING .....	2	
11	90387-123M4-00	COLLAR .....	1	
12	36Y-22129-00-00	COVER, THRUST 2 .....	2	
13	90101-12605-00	BOLT .....	1	
14	95611-12100-00	NUT, U .....	1	
15	3CV-2217M-00-00	ARM 1 .....	2	
16	90101-12673-00	BOLT .....	2	
17	90387-126T1-00	COLLAR .....	2	
18	90201-126A7-00	WASHER, PLATE .....	2	
19	95611-12100-00	NUT, U .....	2	
20	93317-41761-00	BEARING .....	4	
21	90101-10659-00	BOLT .....	1	
22	90387-124W2-00	COLLAR .....	2	
23	90201-101J1-00	WASHER, PLATE .....	1	
24	95611-10100-00	NUT, U .....	1	
25	93101-16131-00	OIL SEAL .....	2	
26	93399-99919-00	BEARING .....	1	
27	36Y-22311-00-00	CASE, CHAIN .....	1	
28	90159-06084-00	SCREW, WITH WASHER .....	1	
29	90159-06059-00	SCREW, WITH WASHER .....	1	



3CV1310-8220

CONTINUED ON NEXT FRAME ➤

# SWING ARM



Ref. No.	Part Number	Description	Qty	Remarks
30	2KT-22151-00-00	SEAL, GUARD .....	1	
31	98511-06025-00	SCREW PAN HEAD (92501-06025) .....	2	
32	92995-06100-00	WASHER, SPRING .....	2	
33	90387-06681-00	COLLAR .....	2	

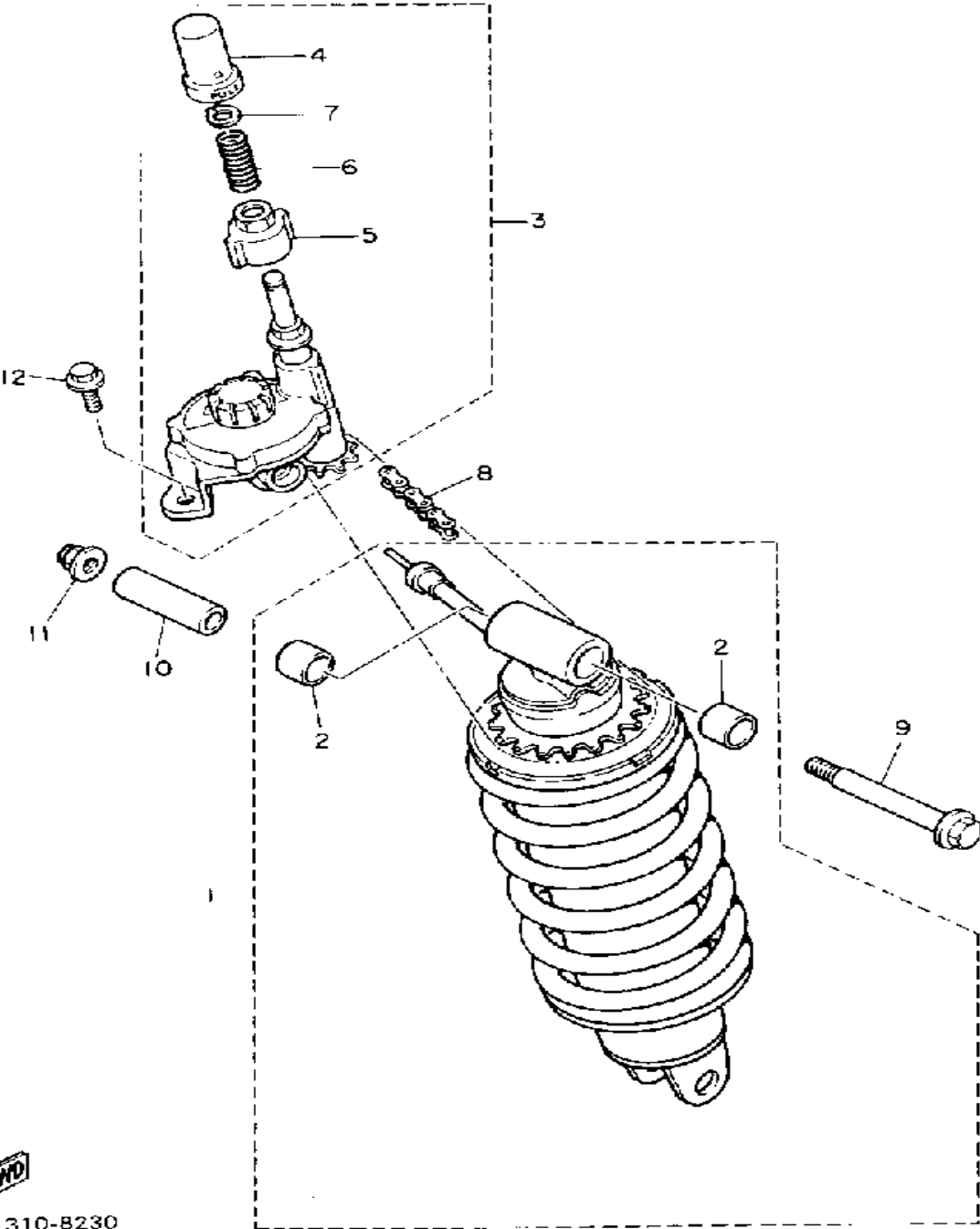


3CV1310-8220



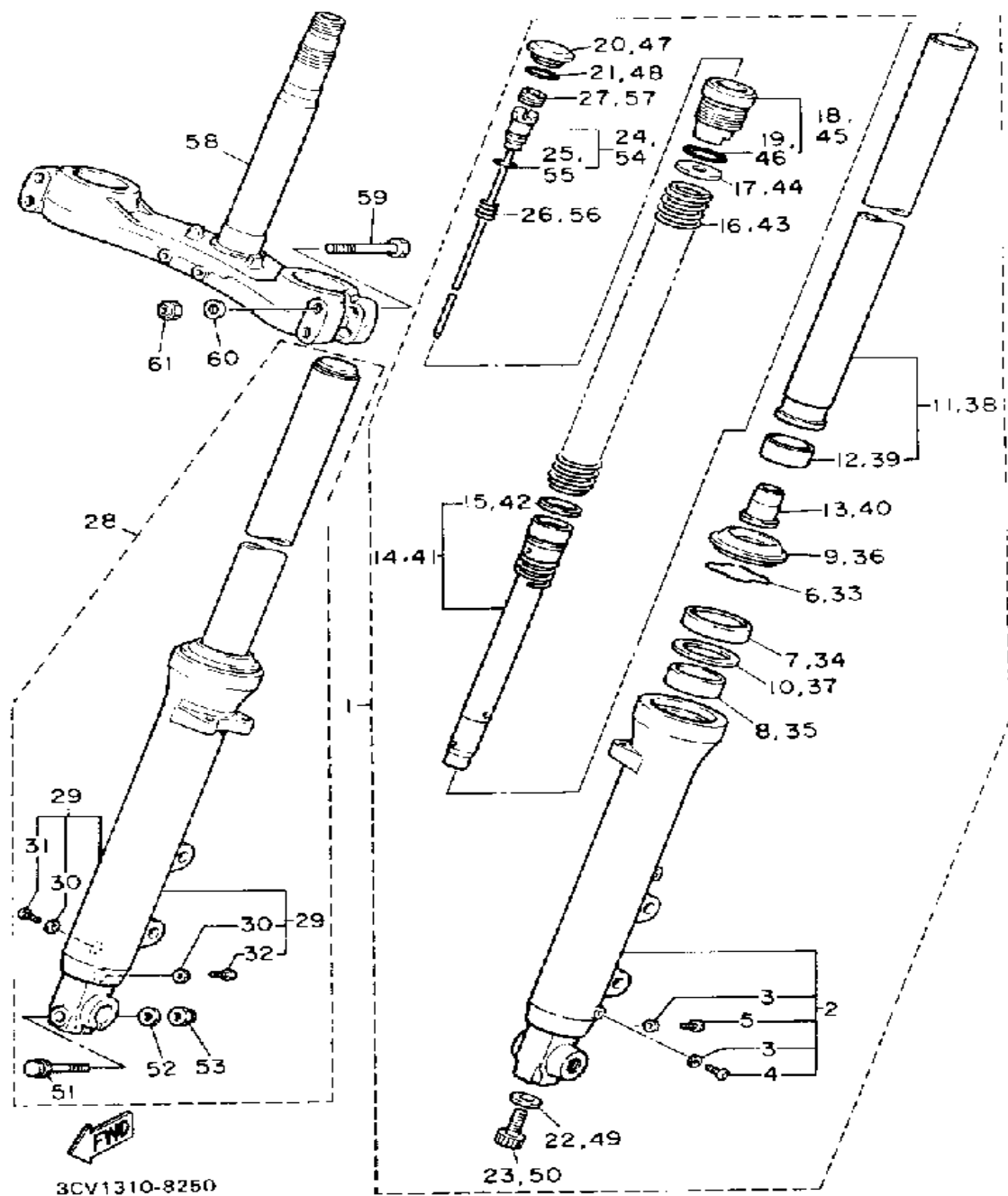
# REAR SHOCKS

Ref. No.	Part Number	Description	Qty	Remarks
1	3CV-22210-00-00	SHK/ABS ASSEMBLY, REAR	1	
2	90384-18157-00	. BUSH, BIMETAL FORMED	2	
3	36Y-22460-02-00	CONTROL PANEL ASSEMBLY	1	
4	36Y-22936-00-00	. COVER, DUST	1	
5	36Y-22913-00-00	. COVER, HEAD	1	
6	90501-061A3-00	. SPRING, COMPRESSION	1	
7	99080-05600-00	. CIRCLIP	1	
8	36Y-22269-00-00	CHAIN	1	
9	90105-10250-00	BOLT, WASHER BASED	1	
10	90387-124H0-00	COLLAR	1	
11	95601-10200-00	NUT, SELF-LOCKING	1	
12	95023-08020-00	BOLT	2	



 3CV1310-8230

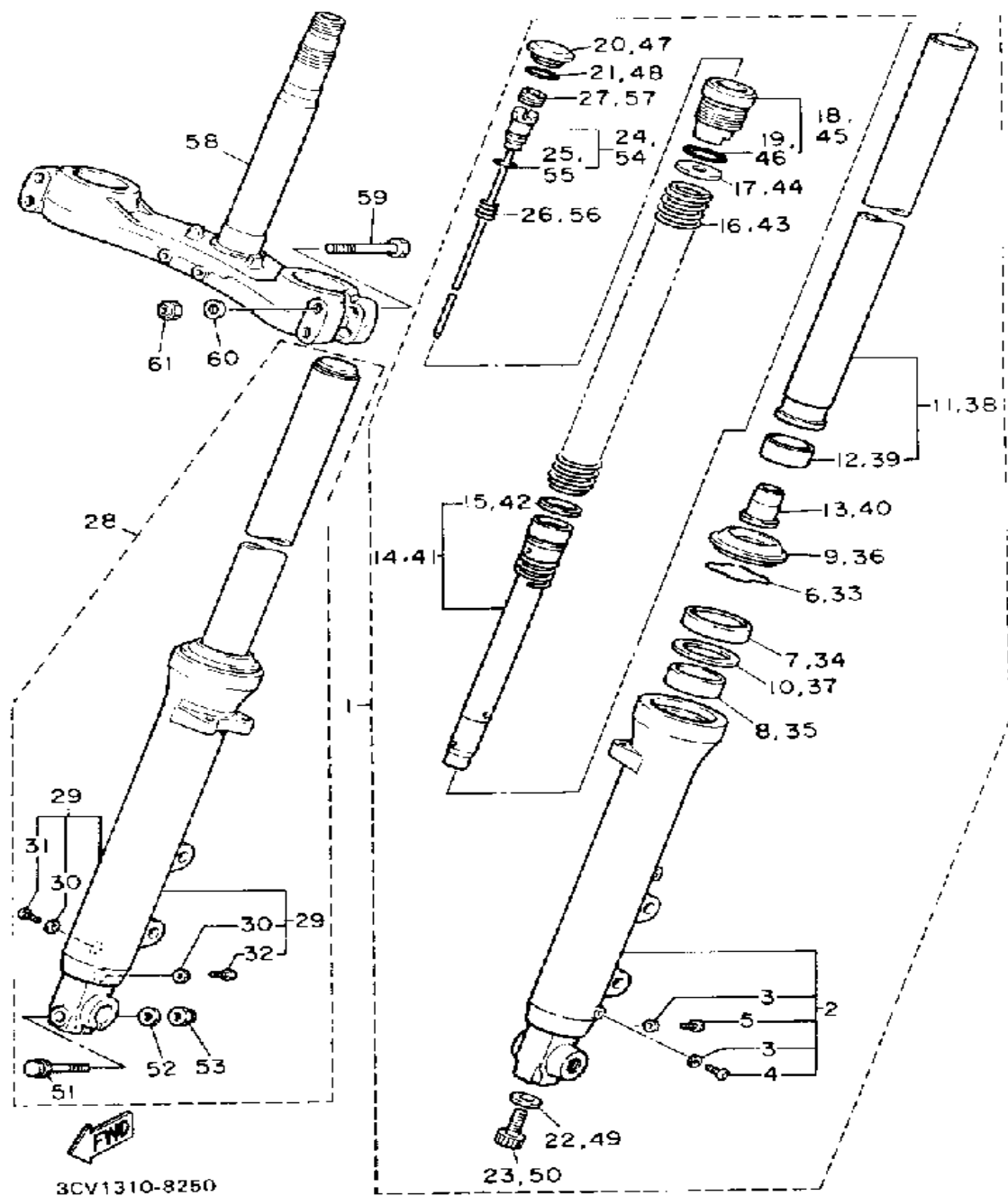
# FRONT FORK



Ref. No.	Part Number	Description	Qty	Remarks
1	3CV-23102-00-00	FRONT FORK ASSEMBLY L (L.H.)	1	
2	3CV-23126-00-00	. TUBE, OUTER 1	1	
3	122-23129-00-00	.. GASKET, DRAIN PLUG	2	
4	4H7-23119-00-00	.. PLUG, DRAIN - (122-23119-01)	1	
5	1TX-23181-00-00	.. BOLT, HEX SCKT HEAD	1	
6	26H-23156-00-00	. CLIP, OIL SEAL	1	
7	3LC-23145-00-00	. OIL SEAL	1	
8	3JD-23125-L0-00	. METAL, SLIDE 1 (3LC-23125-00-00)	1	
9	3LC-23144-00-00	. SEAL, DUST	1	
10	36Y-23146-10-00	. WASHER, OIL SEAL	1	
11	3CV-23110-00-00	. INNER TUBE 1	1	
12	36Y-23171-00-00	.. PISTON, FRONT FORK	1	
13	36Y-23173-00-00	. SPINDLE, TAPER	1	
14	3CV-23170-00-00	. CYLINDER, FRTRFRK	1	
15	36Y-23157-00-00	.. RING, PISTON FRTRFRK	1	
16	36Y-23141-10-00	. SPRING, FR FRK HARD	1	
17	36Y-23149-00-00	. WASHER, SPRING UPR	1	
18	36Y-2319U-01-00	. CAP	1	
19	36Y-23147-00-00	.. O-RING	1	
20	36Y-2319W-00-00	. CAP	1	
21	36Y-23114-00-00	. GASKET	1	
22	4V4-23158-L0-00	. GASKET	1	
23	4V4-23181-L0-00	. BOLT, HEXAGON SOCKET HEAD	1	
24	36Y-2330G-01-00	. ROD	1	
25	36Y-23147-10-00	.. O-RING	1	
26	36Y-23152-00-00	. SPRING, SUB	1	

CONTINUED ON NEXT FRAME ►

# FRONT FORK

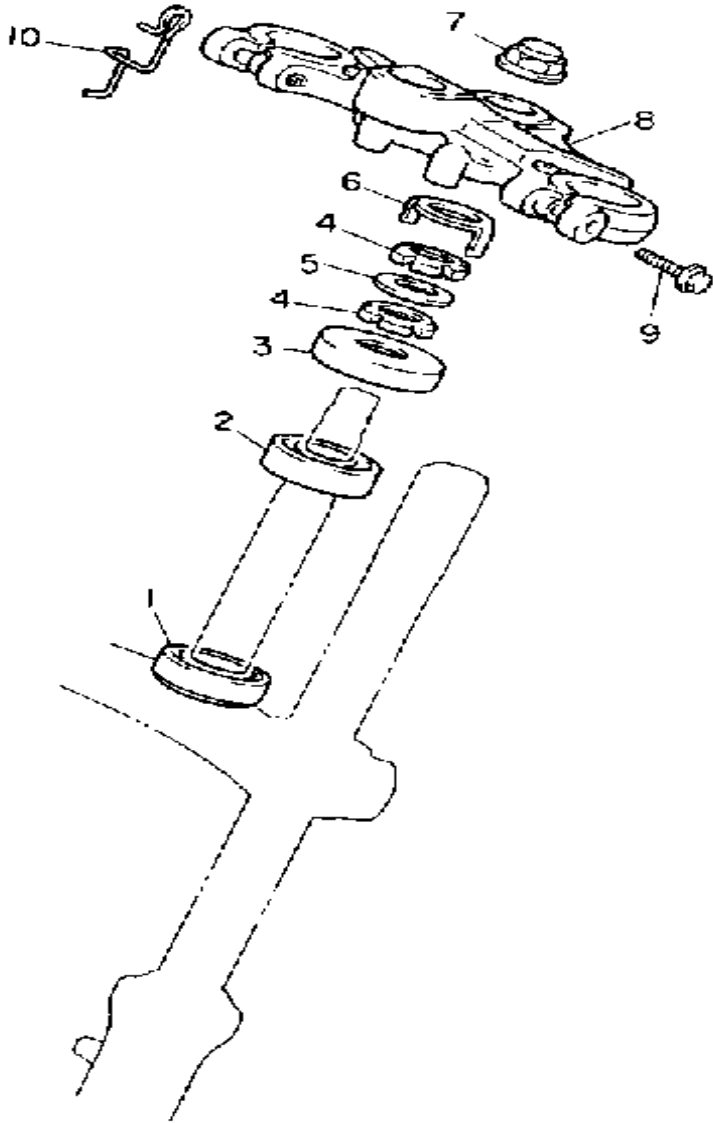


Ref. No.	Part Number	Description	Qty	Remarks
27	36Y-23357-00-00	. NUT .....	1	
28	3CV-23103-00-00	FRONT FORK ASSEMBLY R (R.H.) .....	1	
29	3CV-23136-00-00	. TUBE, OUTER 2 .....	1	
30	122-23129-00-00	.. GASKET, DRAIN PLUG ....	2	
31	4H7-23119-00-00	.. PLUG, DRAIN - (122-23119-01) .....	1	
32	1TX-23181-00-00	.. BOLT, HEX SCKT HEAD ...	1	
33	26H-23156-00-00	. CLIP, OIL SEAL .....	1	
34	3LC-23145-00-00	. OIL SEAL .....	1	
35	3JD-23125-L0-00	. METAL, SLIDE 1 (3LC-23125-00-00) .....	1	
36	3LC-23144-00-00	. SEAL, DUST .....	1	
37	36Y-23146-10-00	. WASHER, OIL SEAL .....	1	
38	3CV-23110-00-00	. INNER TUBE 1 .....	1	
39	36Y-23171-00-00	.. PISTON, FRONT FORK ....	1	
40	36Y-23173-00-00	. SPINDLE, TAPER .....	1	
41	3CV-23170-00-00	. CYLINDER, FRTFRK .....		
	UNA-VAILA-BL-EI 00	00 .....	11	
42	36Y-23157-00-00	.. RING, PISTON FRTFRK ....	1	
43	36Y-23141-10-00	. SPRING, FR FRK HARD .....	1	
44	36Y-23149-00-00	. WASHER, SPRING UPR .....	1	
45	36Y-2319U-01-00	. CAP .....	1	
46	36Y-23147-00-00	.. O-RING .....	1	
47	36Y-2319W-00-00	. CAP .....	1	
48	36Y-23114-00-00	. GASKET .....	1	
49	4V4-23158-L0-00	. GASKET .....	1	
50	4V4-23181-L0-00	. BOLT, HEXAGON SOCKET HEAD .....	1	
51	95811-08055-00	. BOLT, FLANGE .....	1	

CONTINUED ON NEXT FRAME ►



# STEERING

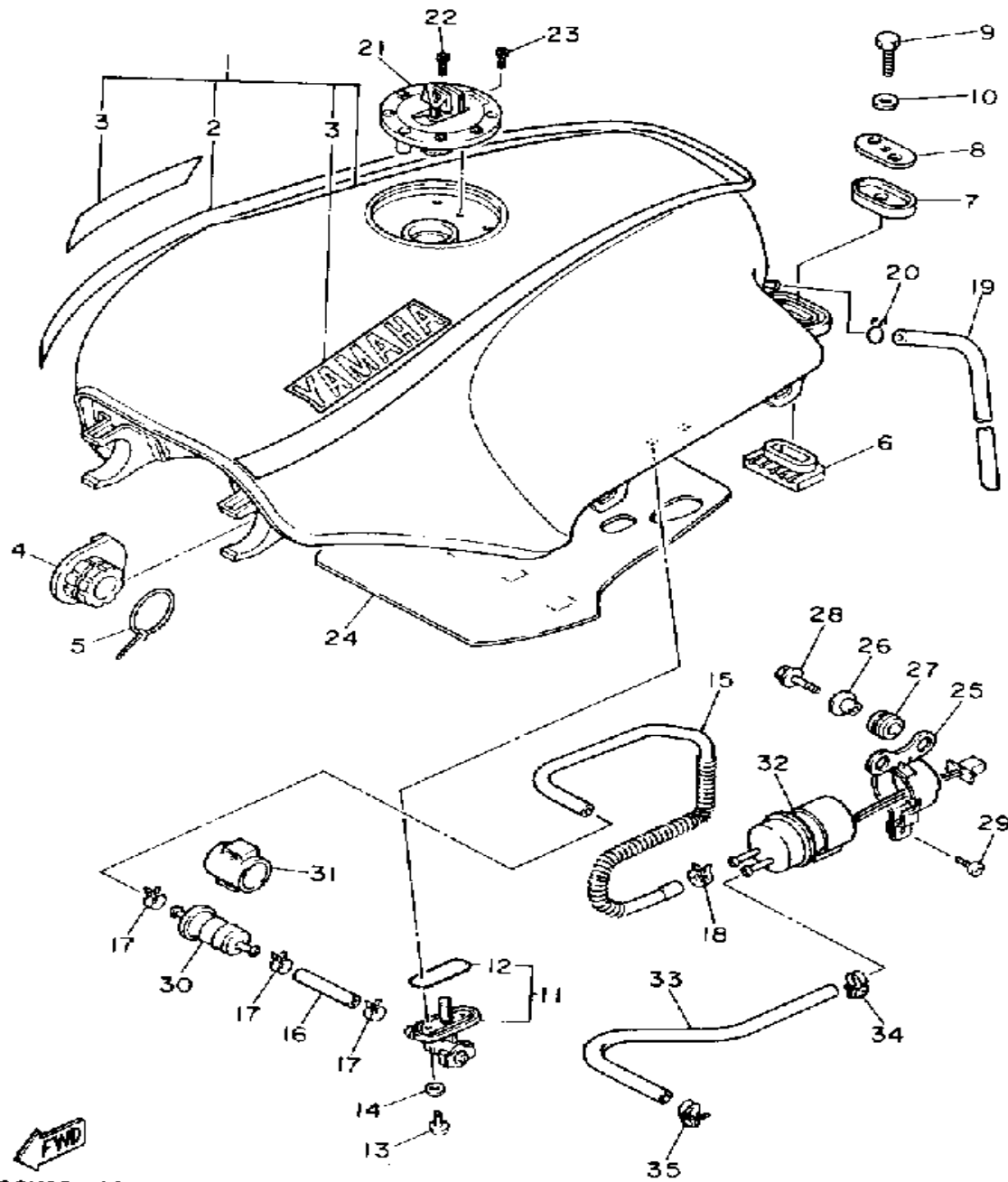


Ref. No.	Part Number	Description	Qty	Remarks
1	93332-00008-00	BEARING .....	1	
2	93332-00001-00	BEARING .....	1	
3	1J7-23415-00-00	COVER, BALL RACE 1 .....	1	
4	90179-25033-00	NUT .....	2	
5	90202-26142-00	WASHER, PLATE .....	1	
6	26H-23418-01-00	WASHER, SPECIAL .....	1	
7	90179-22455-00	NUT, SPEC'L SHAPE .....	1	
8	47M-23435-00-00	CROWN, HANDLE .....	1	
9	95026-08045-00	BOLT, FLANGE .....	2	
10	1TX-23317-00-00	HOLDER, CABLE .....	1	



3CV1310-8240

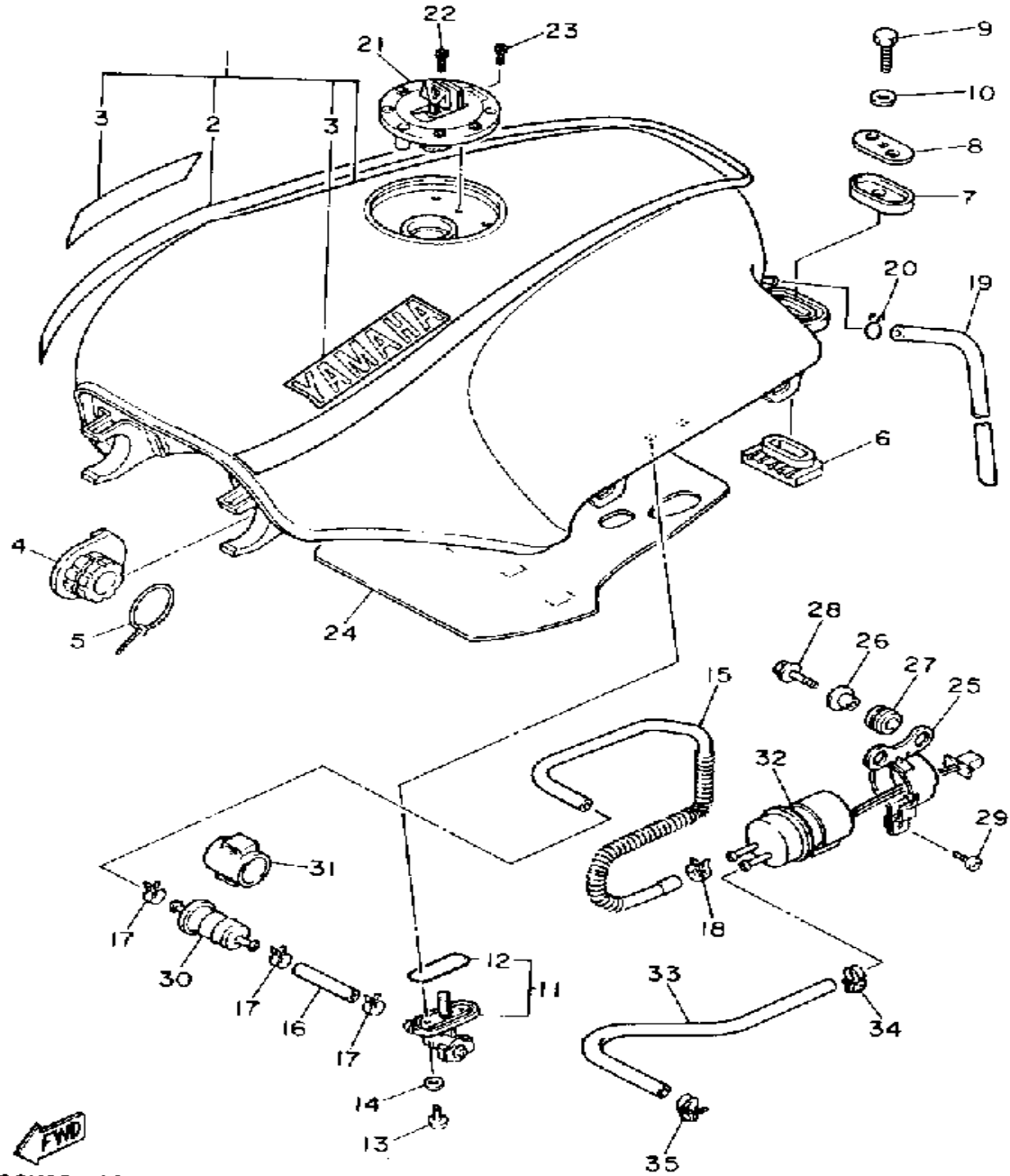
# FUEL TANK (NON-CALIFORNIA MODEL)



Ref. No.	Part Number	Description	Qty	Remarks
1	3CV-24110-00-03	FUEL TANK .....	1	UR SILKY WHITE
	3CV-24110-00-04	FUEL TANK .....	1	UR YAMAHA BLACK
2	3CV-24244-20-00	. GRAPHIC, FUEL TNK 1 .....		UR
	3CV-24244-30-00	. GRAPHIC, FUEL TNK 1 .....	1	UR FOR YB
	UNA-VAILA-BL-EI	0 0 .....		
3	99224-00040-00	. EMBLEM, YAMAHA YAMAHA (BLACK) .....	2	UR FOR SW
	99226-00040-00	. EMBLEM, YAMAHA (2AW) ...	2	UR FOR YB
4	36Y-24181-01-00	DAMPER, LOCATING 1 .....	2	
5	12R-82591-00-00	BAND .....	2	
6	36Y-24182-00-00	DAMPER, LOCATING 2 .....	2	
7	3Y6-24183-00-00	DAMPER, LOCATING 3 .....	2	
8	36Y-24186-00-00	WASHER, SPECIAL .....	2	
9	97026-06030-00	BOLT .....	2	
10	92906-06600-00	WASHER .....	2	
11	26H-24500-00-00	FUEL COCK ASSEMBLY 1 ...	1	
12	214-24512-00-00	. GASKET .....	1	
13	90149-06011-00	SCREW .....	2	
14	90202-05187-00	WASHER, PLATE .....	2	
15	3CV-24310-00-00	FUEL PIPE ASSEMBLY .....	1	
16	90445-136F8-00	HOSE .....	1	
17	90467-11044-00	CLIP .....	3	
	UNA-VAILA-BL-EI	0 0 .....		
18	90467-10091-00	CLIP, SCISSOR .....	1	
19	90445-105G5-00	HOSE .....	1	
20	90467-09006-00	CLIP .....	1	
21	1JK-24602-13-00	CAP ASSEMBLY .....	1	
22	90110-05112-00	BOLT, HEXAGON SOCKET HEAD .....	3	

CONTINUED ON NEXT FRAME ►

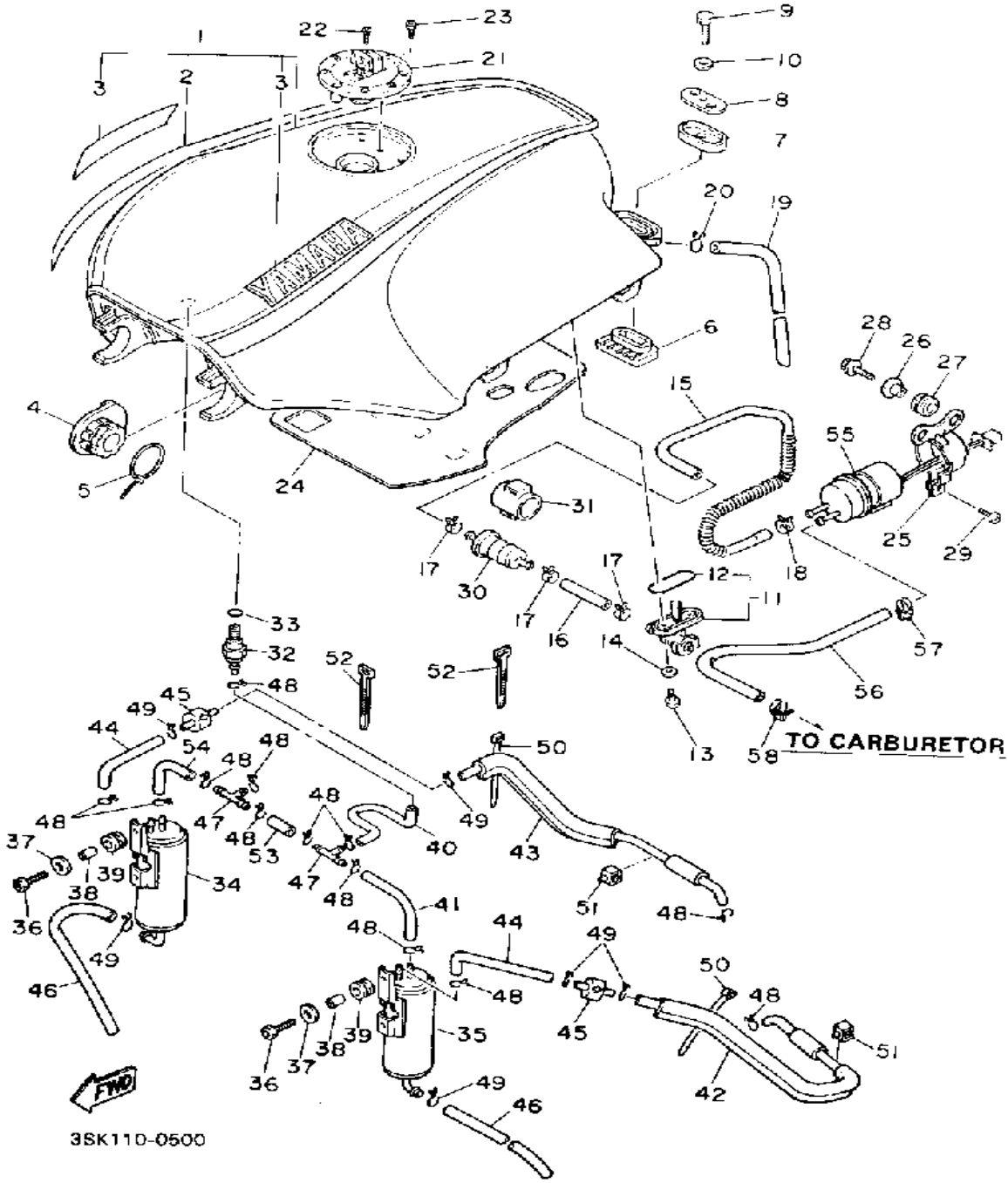
# FUEL TANK (NON-CALIFORNIA MODEL)



Ref. No.	Part Number	Description	Qty	Remarks
23	91311-05010-00	BOLT, SOCKET HEAD	1	
24	3CV-24125-00-00	SEAL, AIR SHROUD 1	1	
25	3CV-24491-00-00	BRACKET, FUEL PUMP	1	
26	90387-062L2-00	COLLAR	2	
27	90480-13163-00	GROMMET	2	
28	95816-06016-00	BOLT, FLANGE	2	
29	98506-05010-00	SCREW, PAN HEAD	1	
30	1FK-24560-00-00	FILTER ASSEMBLY	1	
31	1FK-24566-00-00	BRACKET, FILTER	1	
32	3CV-13907-00-00	FUEL PUMP COMP.	1	
33	90445-125F9-00	HOSE	1	
34	90460-12256-00	CLAMP, HOSE	1	
35	90460-11149-00	CLAMP, HOSE	1	

3CX351-0260

# FUEL TANK (CALIFORNIA MODEL ONLY)

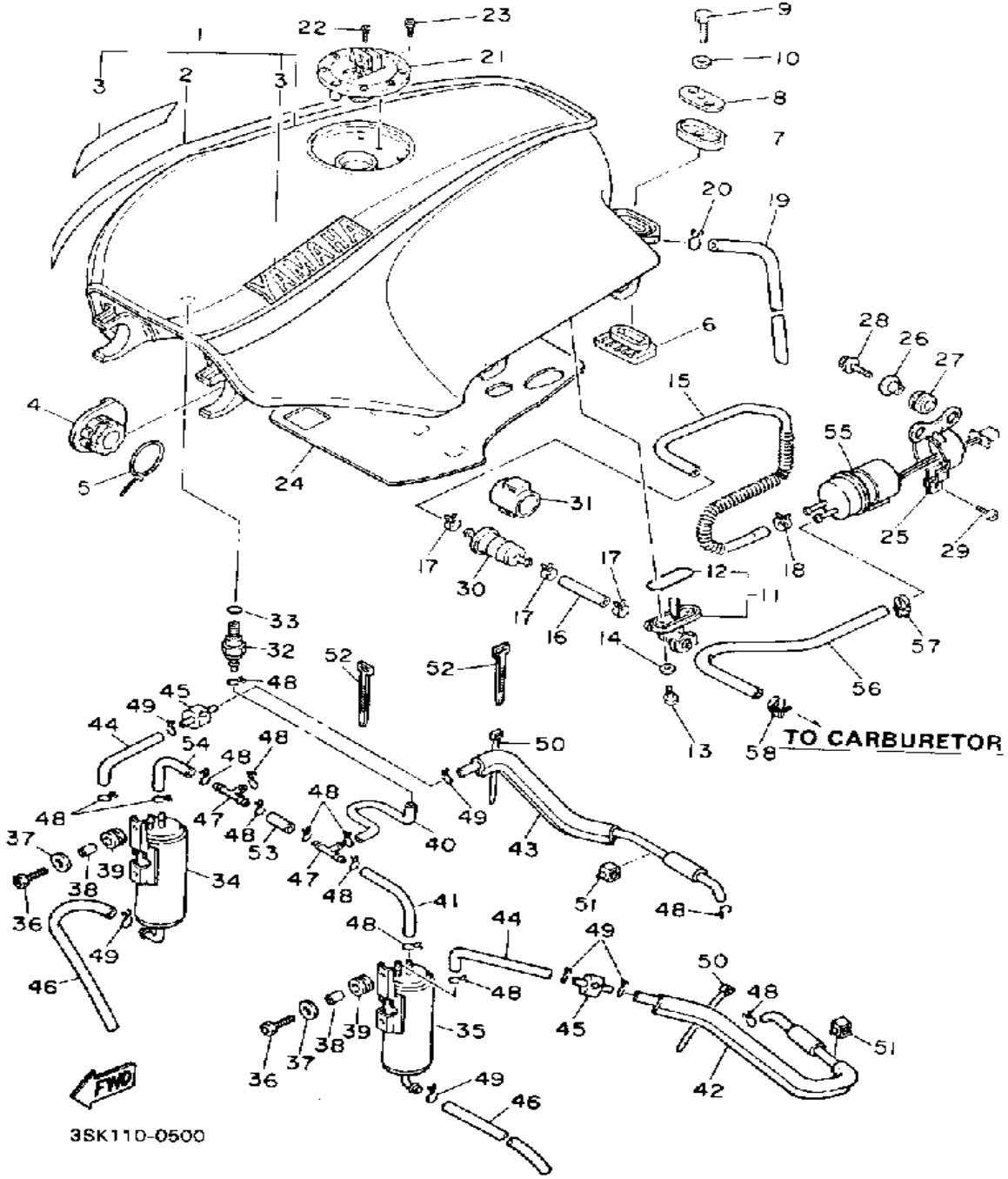


Ref. No.	Part Number	Description	Qty	Remarks
1	3SK-24110-00-05	FUEL TANK .....	1	UR SILKY WHITE
	3SK-24110-00-06	FUEL TANK .....	1	UR YAMAHA BLACK
2	3CV-24244-20-00	. GRAPHIC, FUEL TNK 1 .....	1	UR FOR SW
	3CV-24244-30-00	. GRAPHIC, FUEL TNK 1 .....	1	UR FOR YB
3	99224-00040-00	. EMBLEM, YAMAHA YAMAHA (BLACK) .....	2	UR FOR SW
	99226-00040-00	. EMBLEM, YAMAHA (2AW) ...	2	UR FOR YB
4	36Y-24181-01-00	DAMPER, LOCATING 1 .....	2	
5	12R-82591-00-00	BAND .....	2	
6	36Y-24182-00-00	DAMPER, LOCATING 2 .....	2	
7	3Y6-24183-00-00	DAMPER, LOCATING 3 .....	2	
8	36Y-24186-00-00	WASHER, SPECIAL .....	2	
9	97026-06030-00	BOLT .....	2	
10	92906-06600-00	WASHER .....	2	
11	26H-24500-00-00	FUEL COCK ASSEMBLY 1 ...	1	
12	214-24512-00-00	. GASKET .....	1	
13	90149-06011-00	SCREW .....	2	
14	90202-05187-00	WASHER, PLATE .....	2	
15	3CV-24310-00-00	FUEL PIPE ASSEMBLY .....	1	
16	90445-136F8-00	HOSE .....	1	
	UNA-VAILA-BL-EI	0 0 .....		
17	90467-11044-00	CLIP .....	3	
18	90467-10091-00	CLIP, SCISSOR .....	1	
19	90445-105G5-00	HOSE .....	1	
20	90467-09006-00	CLIP .....	1	
21	1LJ-24602-03-00	CAP ASSEMBLY .....	1	
22	90110-05112-00	BOLT, HEXAGON SOCKET HEAD .....	3	
23	91311-05010-00	BOLT, SOCKET HEAD .....	1	

CONTINUED ON NEXT FRAME ►



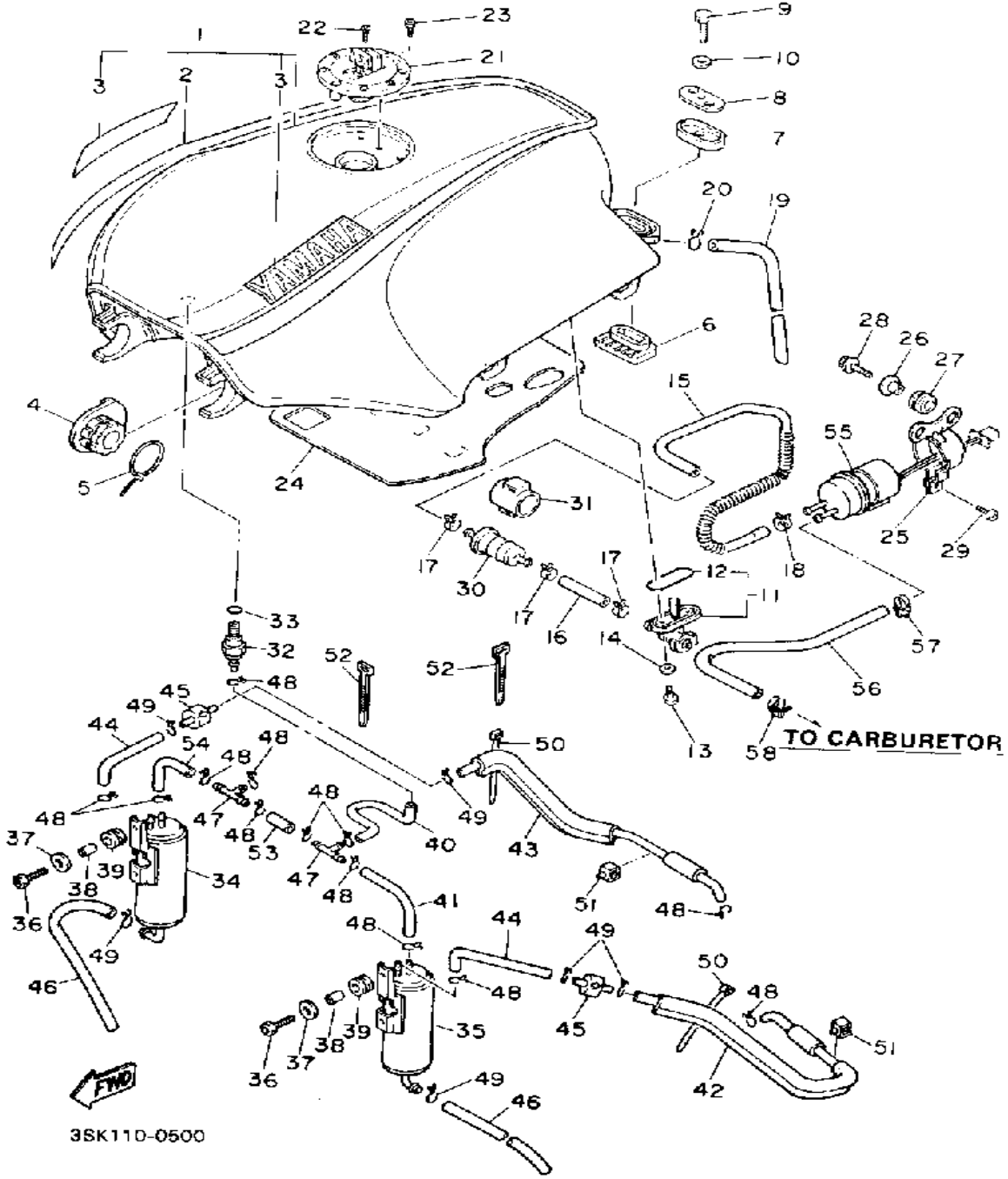
# FUEL TANK (CALIFORNIA MODEL ONLY)



Ref. No.	Part Number	Description	Qty	Remarks
24	3CV-24125-00-00	SEAL, AIR SHROUD 1	1	
25	3CV-24491-00-00	BRACKET, FUEL PUMP	1	
26	90387-062L2-00	COLLAR	2	
27	90480-13163-00	GROMMET	2	
28	95816-06016-00	BOLT, FLANGE	2	
29	98506-05010-00	SCREW, PAN HEAD	1	
30	1FK-24560-00-00	FILTER ASSEMBLY	1	
31	1FK-24566-00-00	BRACKET, FILTER	1	
32	20K-24180-00-00	ROLL OVER VALVE ASSEMBLY	1	
33	93210-10166-00	O-RING	1	
34	(1WJ-24170-00-00)	UNAVAILABLE IN PRICE BOOK	1	
35	1WJ-24170-50-00	CANISTER ASSEMBLY	1	
36	91316-06016-00	BOLT, SOCKET HEAD	4	
37	90201-063J2-00	WASHER, PLATE	4	
	UNA-VAILA-BL-EI	0 0		
38	90387-060G7-00	COLLAR	4	
39	90480-12529-00	GROMMET	4	
40	47M-24311-01-00	PIPE, FUEL 1	1	
41	90445-11542-00	HOSE	1	
42	1WJ-24312-01-00	PIPE 2	1	
43	1WJ-24315-00-00	PIPE 5	1	
44	1WJ-24313-01-00	PIPE 3	2	
45	1WJ-14895-00-00	VALVE, OUTER VENT CONTROL	2	
46	90445-11182-00	HOSE	2	
47	3H3-24376-00-00	PIPE, JOINT 1	2	
48	90467-10008-00	CLIP	13	
49	90467-11106-00	CLIP	6	

CONTINUED ON NEXT FRAME ►

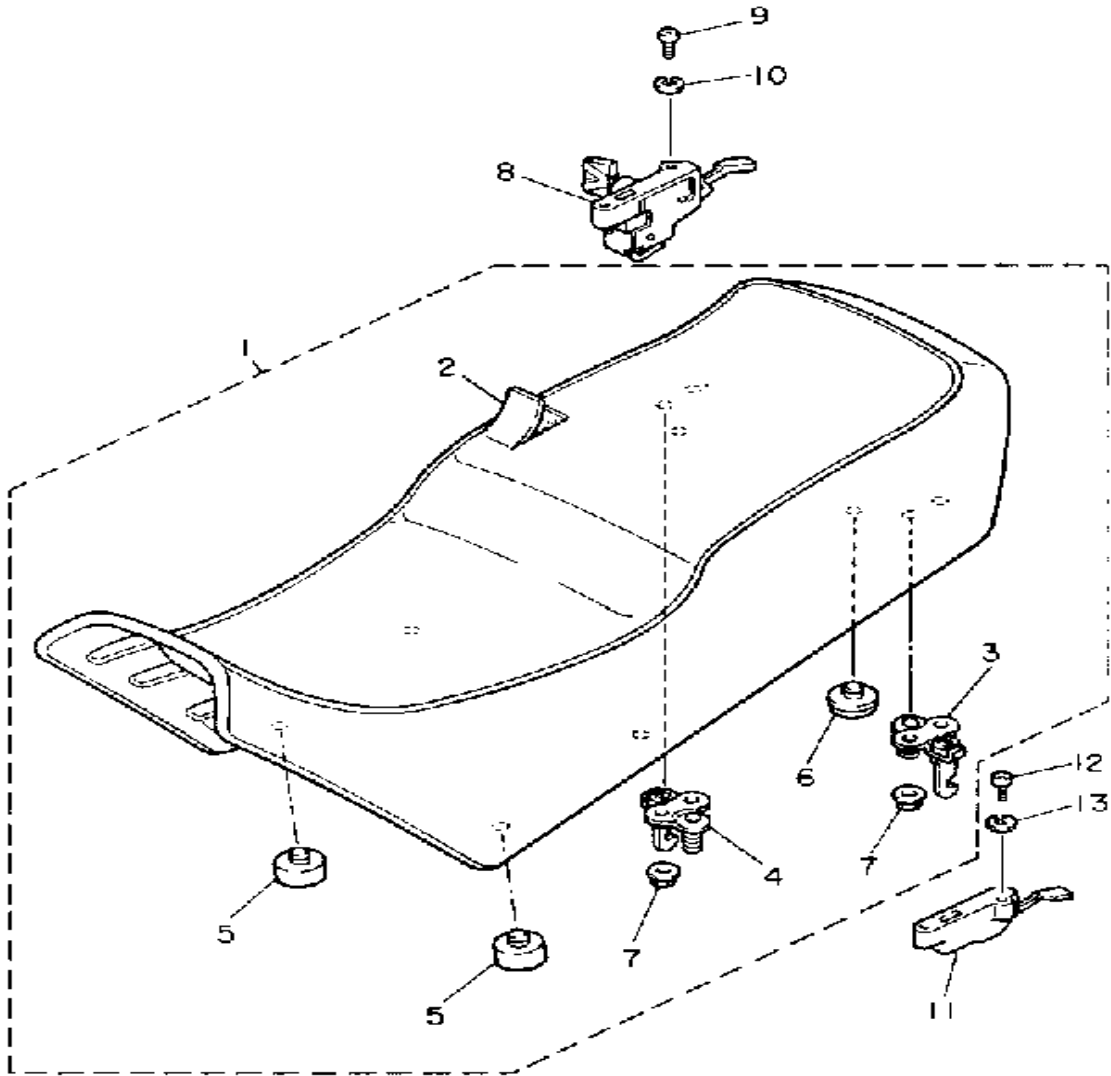
# FUEL TANK (CALIFORNIA MODEL ONLY)



Ref. No.	Part Number	Description	Qty	Remarks
50	90465-13169-00	CALMP .....	2	
51	90464-08020-00	CLAMP .....	2	
52	437-83936-11-00	BAND, SWITCH CORD .....	4	
53	90445-11697-00	HOSE .....	1	
54	90-44511-5E-10	UNAVAILABLE IN PRICE BOOK	1	
55	3CV-13907-00-00	FUEL PUMP COMP. ....	1	
56	90445-125F9-00	HOSE .....	1	
57	90460-12256-00	CLAMP, HOSE .....	1	
58	90460-11149-00	CLAMP, HOSE .....	1	

3SK11D-0500

# SEAT

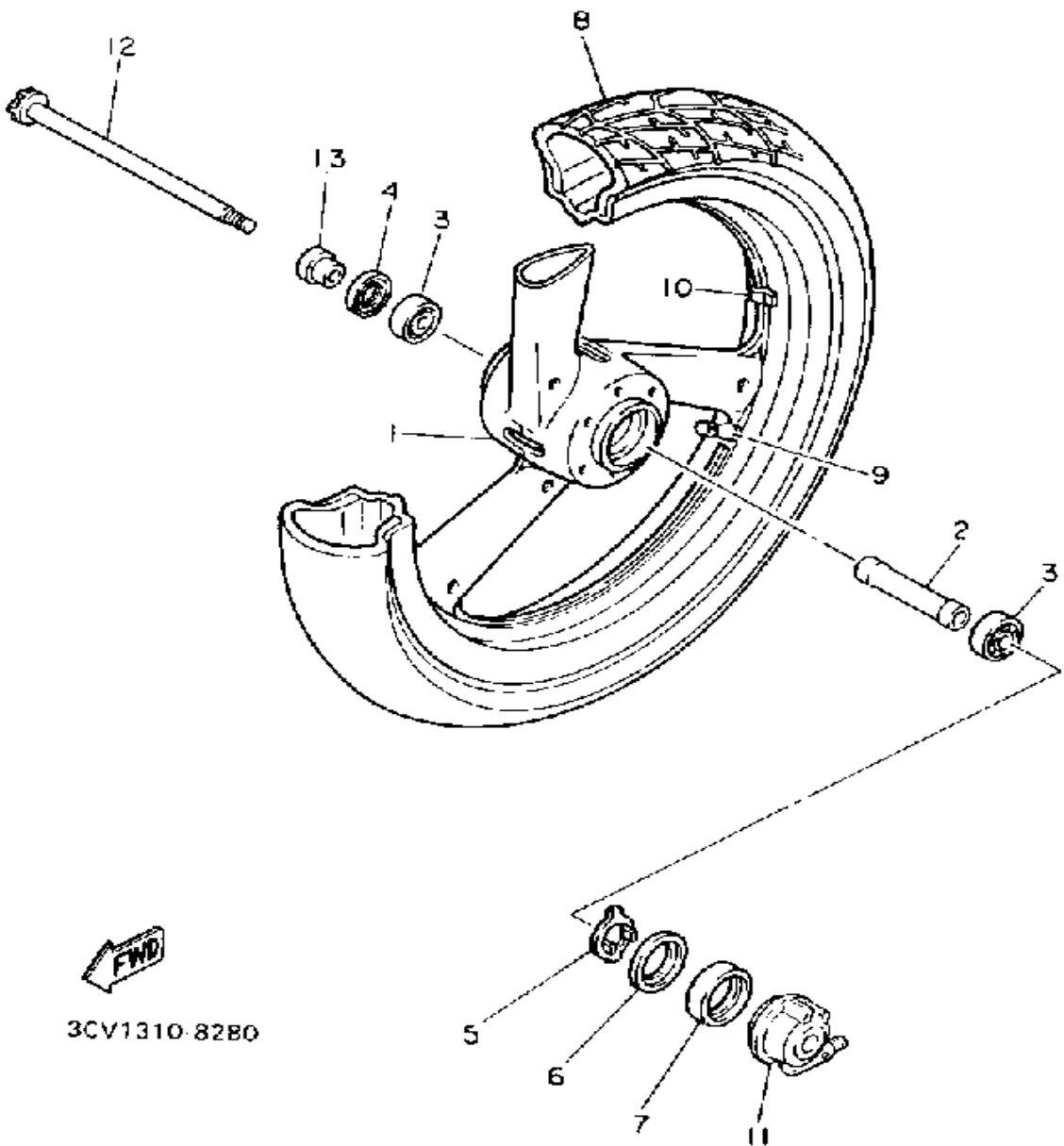


Ref. No.	Part Number	Description	Qty	Remarks
1	3CV-24730-00-00	DOUBLE SEAT ASSEMBLY ...	1	
2	3CV-24731-40-00	. COVER, DOUBLE SEAT .....	1	
3	36Y-24728-00-00	. BRACKET, SEAT .....	1	
4	36Y-24738-00-00	. BRACKET, SEAT .....	1	
5	1T4-24741-00-00	. PAD, SEAT .....	4	
6	1L9-24741-00-00	. PAD, SEAT .....	2	
7	95701-06500-00	. NUT, FLANGE .....	4	
8	36Y-24705-00-00	SEAT LOCK ASSEMBLY. ....	1	
9	98506-06016-00	SCREW, PANHEAD .....	2	
10	92906-06100-00	WASHER, SPRING .....	2	
11	36Y-24760-00-00	SEAT LEVER ASSEMBLY ....	1	
12	98506-06016-00	SCREW, PANHEAD .....	2	
13	92906-06100-00	WASHER, SPRING .....	2	



3CV1310-8270

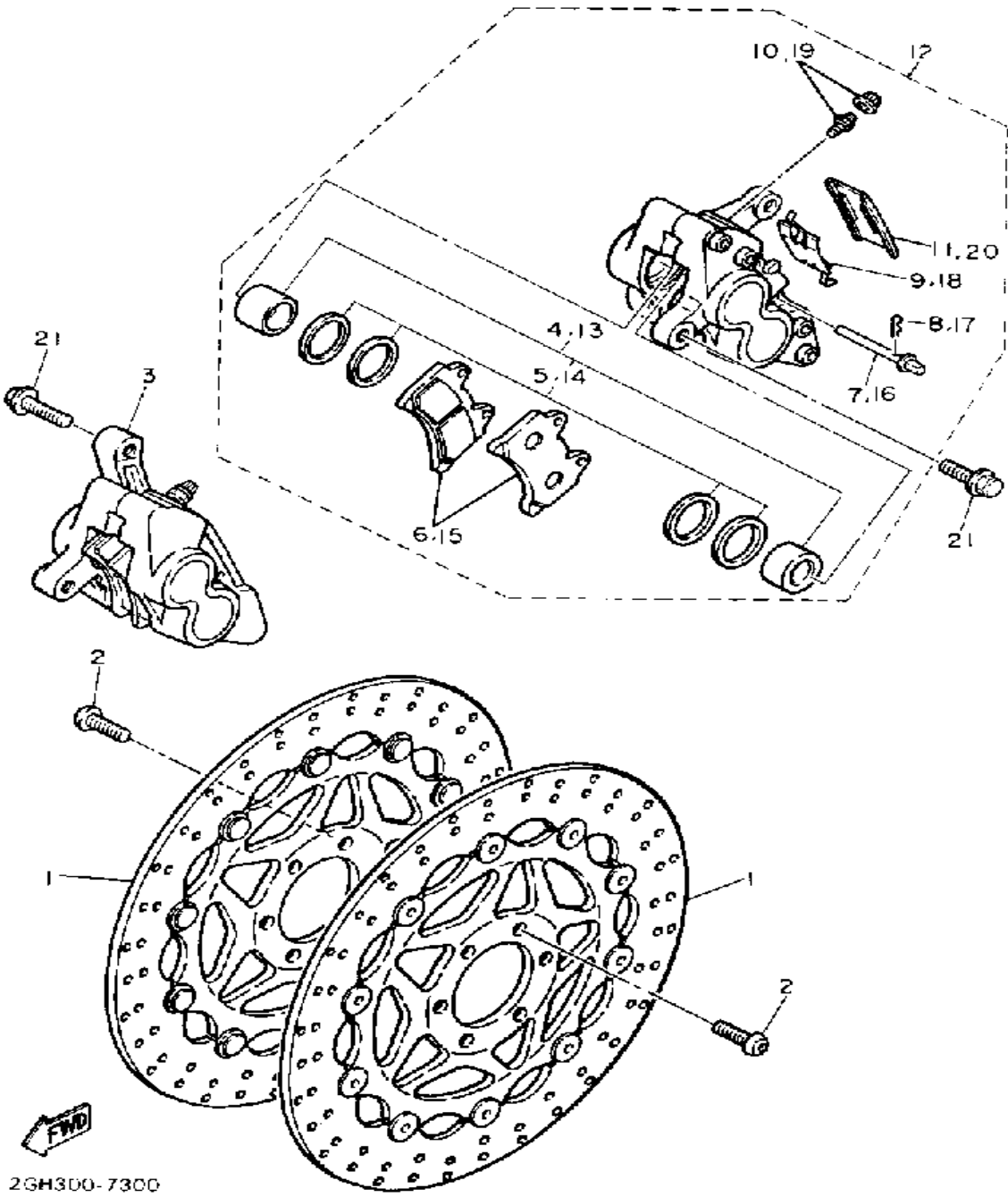
# FRONT WHEEL



Ref. No.	Part Number	Description	Qty	Remarks
1	3CV-25168-00-WG	WHEEL, CAST FRONT	1	HI TECH SILVER
2	90560-15255-00	SPACER	1	
3	93306-30202-00	BEARING	2	
4	93102-22014-00	OIL SEAL	1	
5	341-25149-00-00	CLUTCH, METER	1	
6	341-25846-00-00	RETAINER, CLUTCH	1	
7	93105-45017-00	OIL SEAL	1	
8	94112-172U5-00	120/70V17-V250 DUN (120/70 V17-V250)	1	DUNLOP
9	93900-00030-00	VALVE, RIM	1	
10	29L-25398-00-00	BALANCER, WHEEL (10G)	1	UN
	29L-25398-10-00	BALANCER, WHEEL (20G)	1	UN
	29L-25398-20-00	BALANCER, WHEEL (30G)	1	UN
11	2GH-25190-00-00	GEAR UNIT ASSEMBLY	1	
12	18G-25381-00-00	AXLE, WHEEL	1	
13	90387-15550-00	COLLAR	1	

**FWD**  
3CV1310-8280

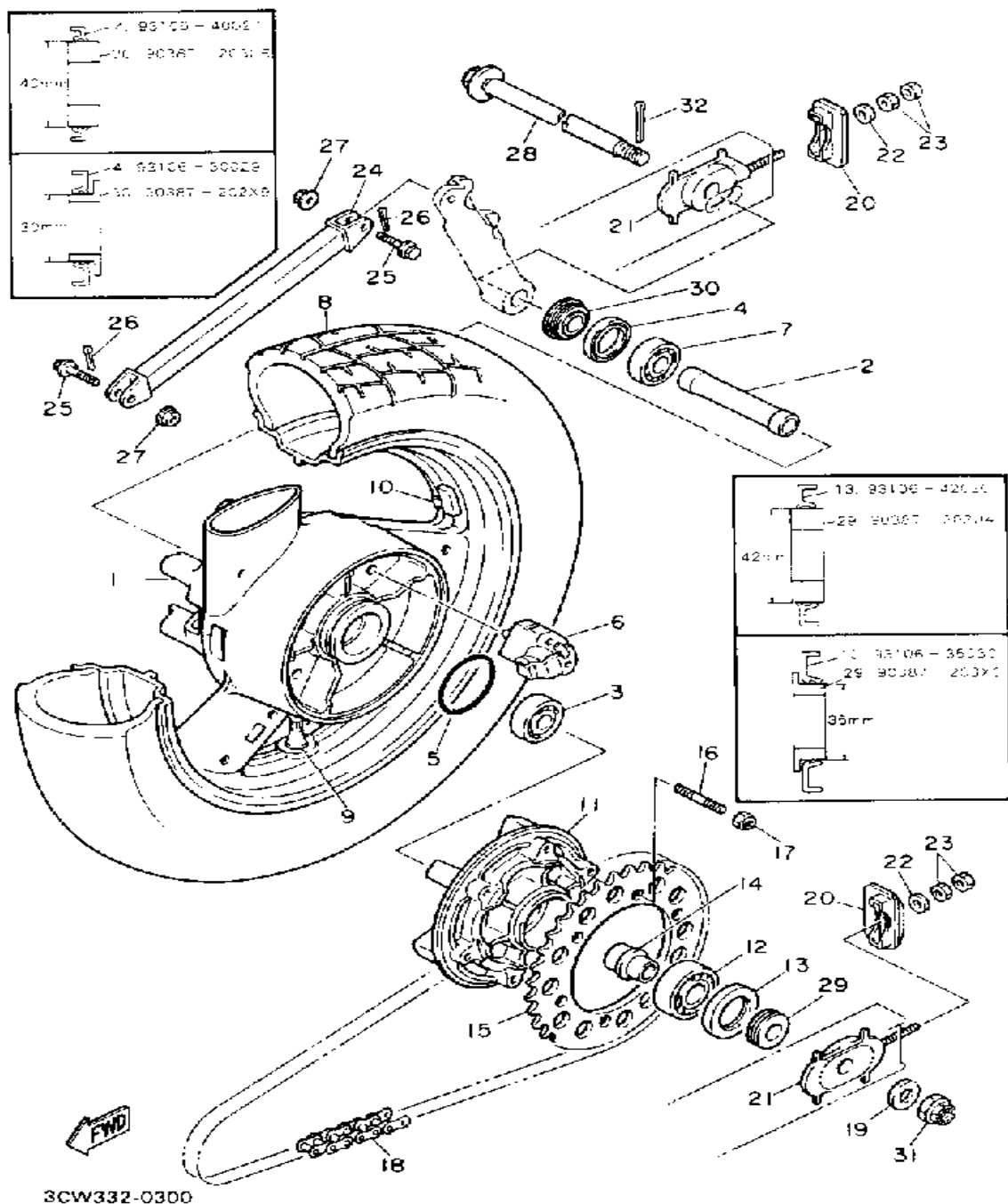
# FRONT BRAKE CALIPER



2GH300-7300

Ref. No.	Part Number	Description	Qty	Remarks
1	3CV-2581T-00-00	UNAVAILABLE IN PRICE BOOK (3CV-25830-00)	2	
2	90109-08718-00	BOLT	12	
3	2GH-25810-01-00	CALIPER ASSEMBLY	1	
4	1NL-W0057-00-00	. PISTON ASSEMBLY, CALIPER	2	
5	1NL-W0047-00-00	. . CALIPER SEAL KIT	1	
6	2GH-W0045-01-00	. BRAKE PAD KIT, FRNT	1	
7	3HE-25924-00-00	. PIN, PAD	2	
8	3GM-25925-00-00	. CLIP	2	
9	2GH-25919-00-00	. SUPPORT, PAD	1	
10	1J3-W0048-00-00	. BLEED SCREW KIT	1	
11	1KT-25836-00-00	. COVER, DUST	1	
12	2GH-25810-11-00	CALIPER ASSEMBLY	1	
13	1NL-W0057-00-00	. PISTON ASSEMBLY, CALIPER	2	
14	1NL-W0047-00-00	. . CALIPER SEAL KIT	1	
15	2GH-W0045-01-00	. BRAKE PAD KIT, FRNT	1	
16	3HE-25924-00-00	. PIN, PAD	2	
17	3GM-25925-00-00	. CLIP	2	
18	2GH-25919-00-00	. SUPPORT, PAD	1	
19	1J3-W0048-00-00	. BLEED SCREW KIT	1	
20	1KT-25836-00-00	. COVER, DUST	1	
21	90105-10638-00	BOLT, WASHER BASED	4	

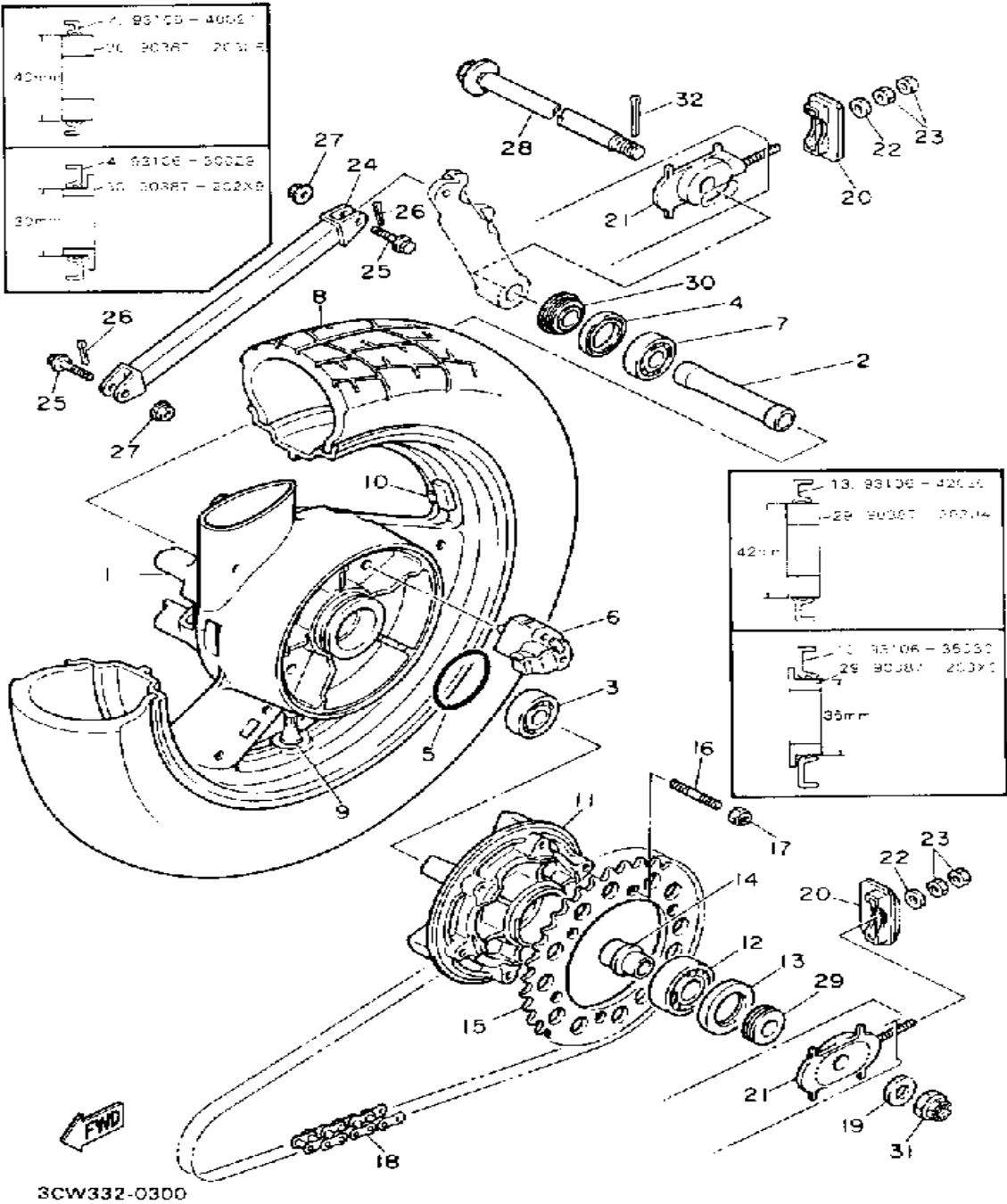
# REAR WHEEL



Ref. No.	Part Number	Description	Qty	Remarks
1	3CV-25338-00-WG	WHEEL, CAST REAR	1	HI TECH SILVER
2	90560-20339-00	SPACER	1	
3	93306-30417-00	BEARING (B6304ZZ)	1	
4	93106-30029-00	OIL SEAL	1	UR DIA.= 30 MM
	93106-40027-00	OIL SEAL	1	UR DIA.= 40 MM
5	93210-65752-00	O-RING	1	
6	2GH-25364-00-00	DAMPER	5	
7	93306-30437-00	BEARING	1	
8	94115-163T2-00	150/80V16-V250 DUN (150/80V16-V250 K330)	1	DUNLOP
9	93900-00030-00	VALVE, RIM	1	
10	29L-25398-00-00	BALANCER, WHEEL (10G)	1	UN
	29L-25398-10-00	BALANCER, WHEEL (20G)	1	UN
	29L-25398-20-00	BALANCER, WHEEL (30G)	1	UN
11	36Y-25366-01-00	CLUTCH, HUB	1	
12	93306-30562-00	BEARING	1	
13	93106-35030-00	OIL SEAL	1	UR DIA.= 35 MM
	93106-42026-00	OIL SEAL	1	UR DIA.= 42 MM
14	36Y-25377-00-00	COLLAR, WHEEL	1	
15	1TX-25440-20-00	SPROCKET, DRIVN 40T	1	YAMAHA BLACK
16	90116-10485-00	BOLT, STUD	6	
17	95601-10200-00	NUT, SELF-LOCKING	6	
18	94580-94110-00	D1D50ZL-110LFJ12 0	1	
19	90201-18264-00	WASHER, PLATE	1	
20	36Y-25389-00-00	PULLER, CHAIN 2	2	
21	36Y-25388-01-00	PULLER, CHAIN 1	2	
22	92990-08200-00	WASHER, PLAIN	2	
23	95333-08600-00	NUT	4	
24	36Y-25371-00-00	BAR, TENSION	1	

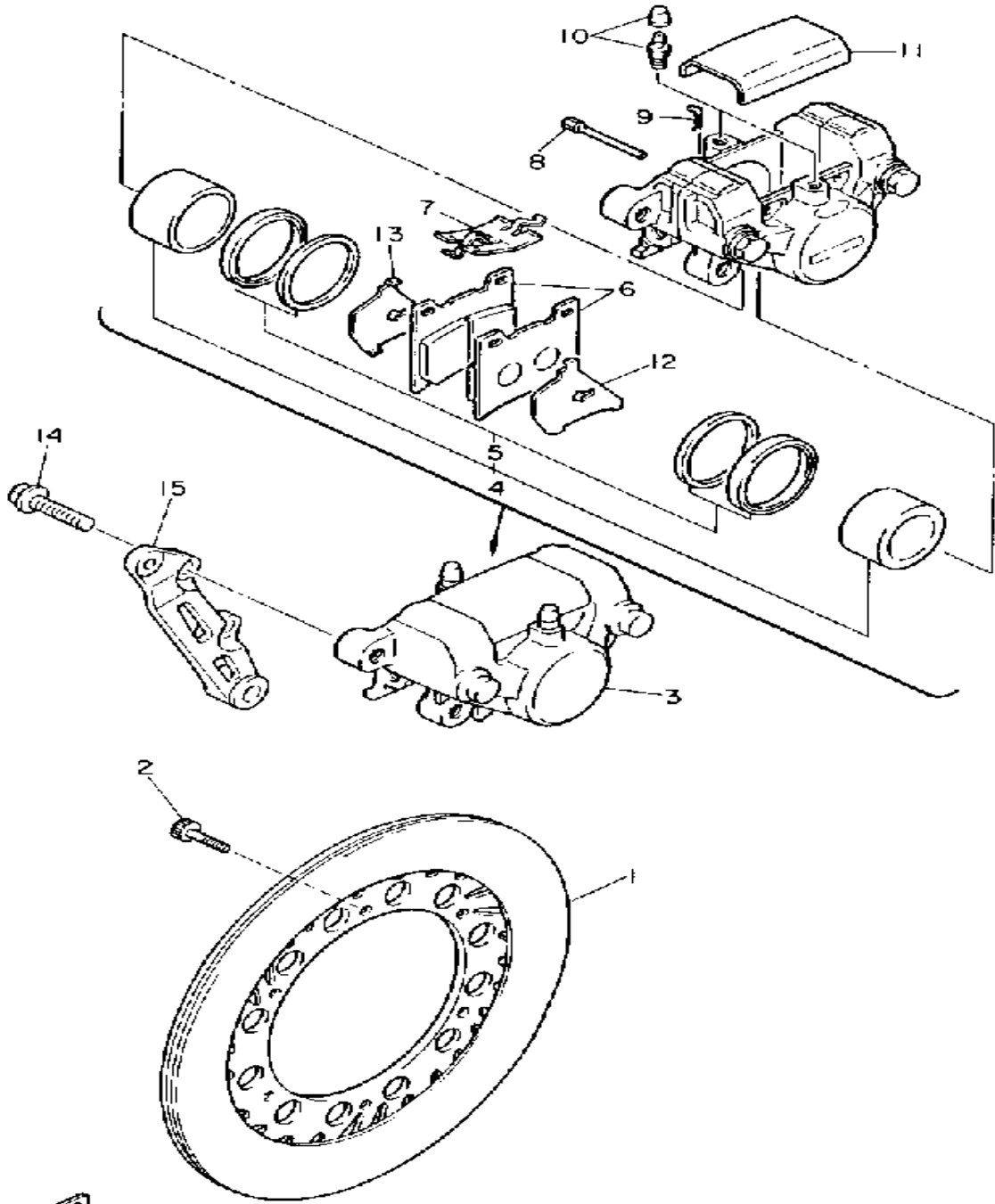
CONTINUED ON NEXT FRAME ►

# REAR WHEEL



Ref. No.	Part Number	Description	Qty	Remarks
25	90105-08321-00	BOLT, WASHER BASED	2	
26	91490-20020-00	PIN, COTTER	2	
27	95701-08500-00	NUT, FLANGE	2	
28	36Y-25381-00-00	AXLE, WHEEL	1	
29	90387-203U4-00	COLLAR	1	UR DIA.= 42 MM
	90387-203X0-00	COLLAR	1	UR DIA.= 35 MM
30	90387-202X9-00	COLLAR	1	UR DIA.= 30 MM
	90387-203U5-00	COLLAR	1	UR DIA.= 40 MM
31	90171-18043-00	NUT, CASTLE	1	
32	91401-40040-00	PIN, COTTER	1	

# REAR BRAKE CALIPER



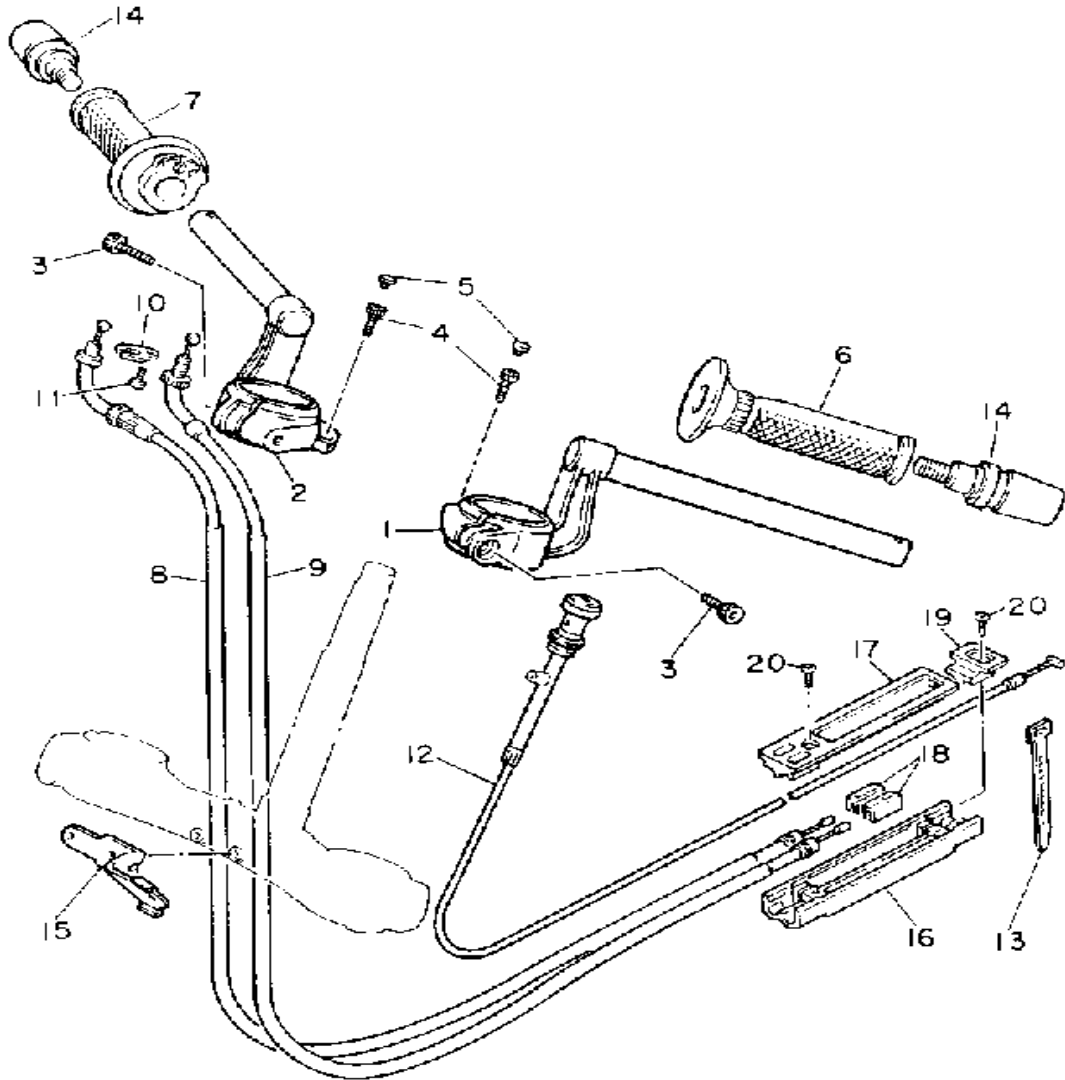
Ref. No.	Part Number	Description	Qty	Remarks
1	36Y-25831-00-00	DISC, BRAKE RH .....	1	
2	90109-08718-00	BOLT .....	6	
3	3CV-2580W-01-00	CALIPER ASSEMBLY REA 2 ..	1	
4	31A-W0057-00-00	. PISTON ASSEMBLY, CALIPER	1	
5	31A-W0047-00-00	. . CALIPER SEAL KIT .....	1	
6	1FK-W0046-01-00	. BRAKE PAD KIT 2 .....	1	
7	26H-25919-00-00	. SUPPORT, PAD .....	1	
8	3HE-25924-00-00	. PIN, PAD .....	2	
9	3HE-25925-00-00	. CLIP .....	2	
10	1J3-W0048-00-00	. BLEED SCREW KIT .....	2	
11	41Y-25836-00-00	. COVER, DUST .....	1	
12	1FK-25827-00-00	. SHIM, CALIPER .....	1	
13	1FK-25828-00-00	. SHIM, CALIPER .....	1	
14	90105-10638-00	BOLT, WASHER BASED .....	2	
15	36Y-25819-00-00	BRACKET, CALIPER .....	1	

**FWD**  
3CV1310-8310



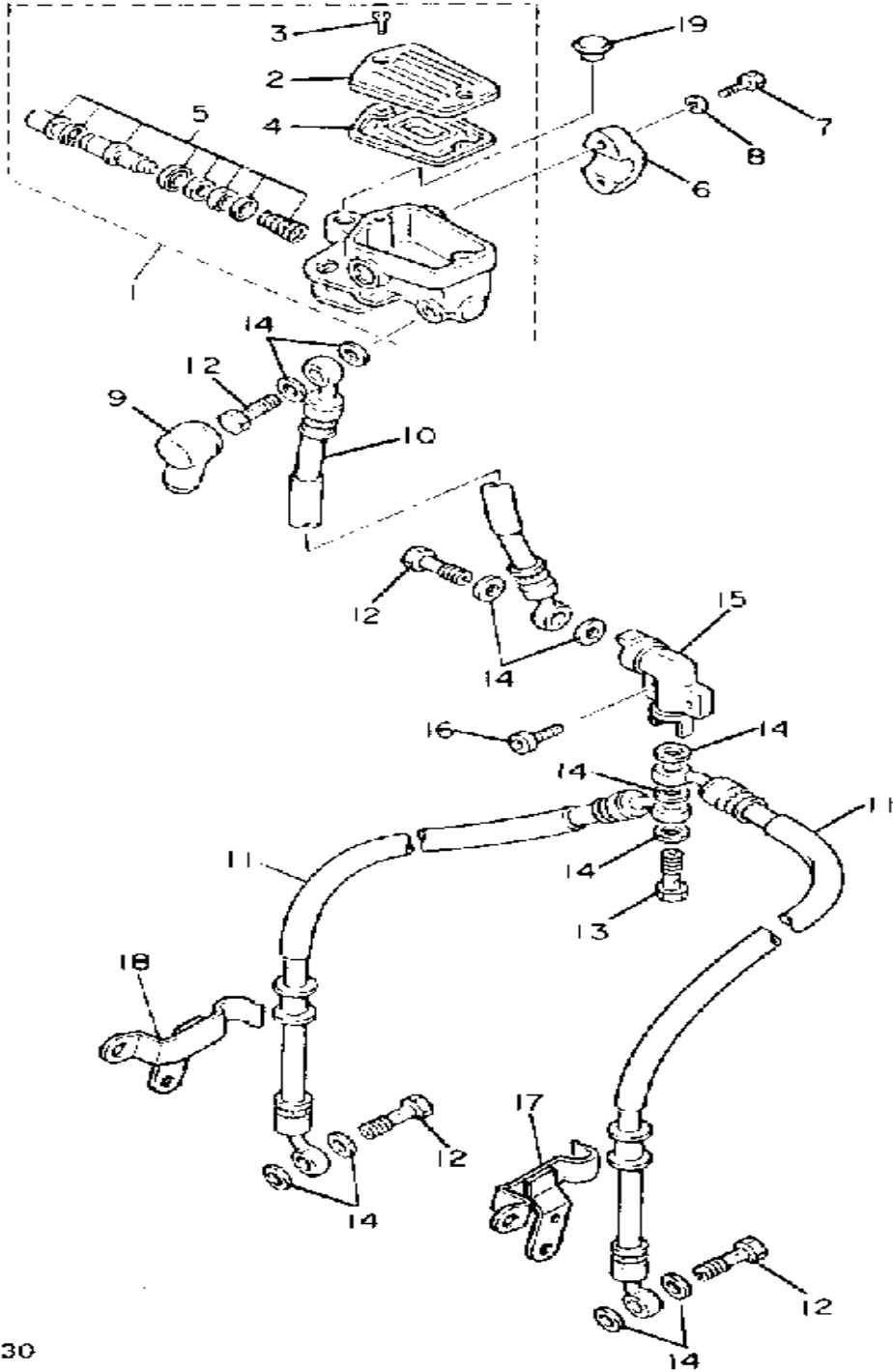
# HANDLEBAR - CABLE

Ref. No.	Part Number	Description	Qty	Remarks
1	3XW-26121-00-00	HANDLEBAR LH	1	
2	3XW-26122-00-00	HANDLEBAR RH	1	
3	91316-08030-00	BOLT, SOCKET HEAD	2	
4	91316-06016-00	BOLT, SOCKET HEAD	2	
5	2H9-23469-00-00	CAP, BOLT	2	
6	31A-26241-00-00	GRIP (LEFT)	1	
7	36Y-26240-00-00	GRIP ASSEMBLY	1	
8	36Y-26311-01-00	CABLE, THROTTLE 1	1	
9	36Y-26312-01-00	CABLE, THROTTLE 2	1	
10	5H0-26393-00-00	HOLDER	1	
11	98506-05008-00	SCREW, PAN HEAD	1	
12	1TX-26330-00-00	STARTER CABLE ASSEMBLY	1	
13	90464-13073-00	CLAMP	2	
14	36Y-26246-00-00	END, GRIP	2	
15	3CV-21343-00-00	BRACKET, HORN	1	
16	36Y-26261-00-00	CONNECTOR, CABLE	1	
17	36Y-26262-00-00	CAP, CABLE CONNECTOR	1	
18	26H-26244-01-00	SLIDER, THROTTLE	2	
19	36Y-26272-00-00	CAP	1	
20	90167-03053-00	SCREW, TAPPING	3	



**FWD**  
3CV1310-8320

# FRONT MASTER CYLINDER

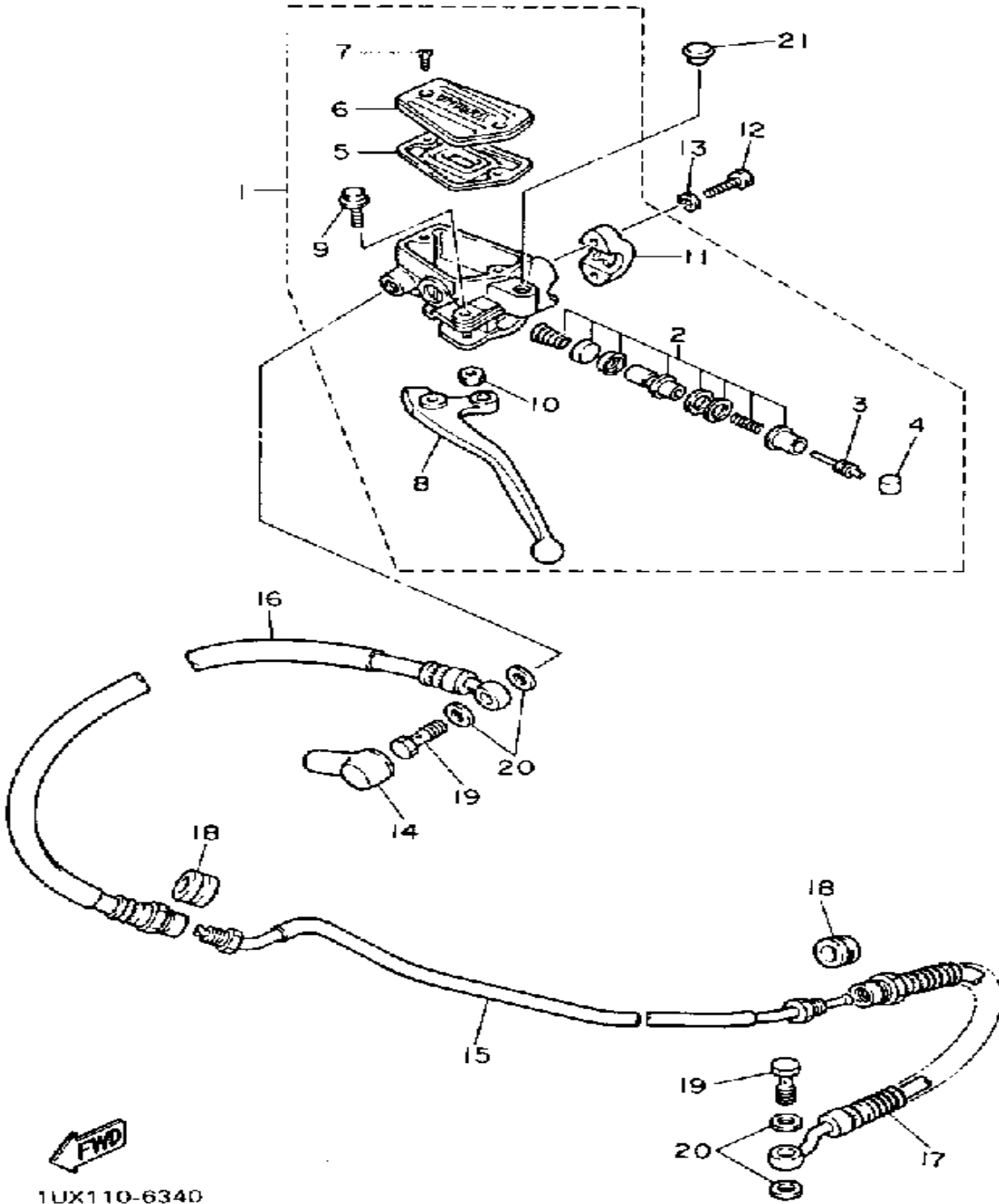


Ref. No.	Part Number	Description	Qty	Remarks
1	36Y-25850-01-00	MASTER CYLINDER ASSEMBLY	1	
2	36Y-25852-01-00	. CAP, RESERVOIR	1	
3	98706-04012-00	. SCREW, FLAT HEAD	2	
4	36Y-25854-00-00	. DIAPHRAGM, RESERVOIR	1	
5	36Y-W0041-00-00	. CYLINDER KIT, MASTER	1	
6	36Y-25867-00-00	BRACKET, MASTER CYLINDER	1	
7	91316-06025-00	BOLT	2	
8	92906-06100-00	WASHER, SPRING	2	
9	4L0-25862-00-00	BOOT, MASTER CYLINDER	1	
10	36Y-25872-01-00	HOSE, BRAKE 1	1	
11	3CV-25873-01-00	HOSE, BRAKE 2	2	
12	90401-10096-00	BOLT, UNION	4	
13	90401-10095-00	BOLT, UNION	1	
14	90201-10118-00	WASHER, PLATE	11	
15	11U-25885-00-00	JOINT	1	
16	91316-06025-00	BOLT	2	
17	3CW-25875-00-00	HOLDER, BRKE HOSE 1	1	
18	3CW-25876-00-00	HOLDER, BRKE HOSE 2	1	
19	90338-09012-00	PLUG	1	



3GP1171-8330

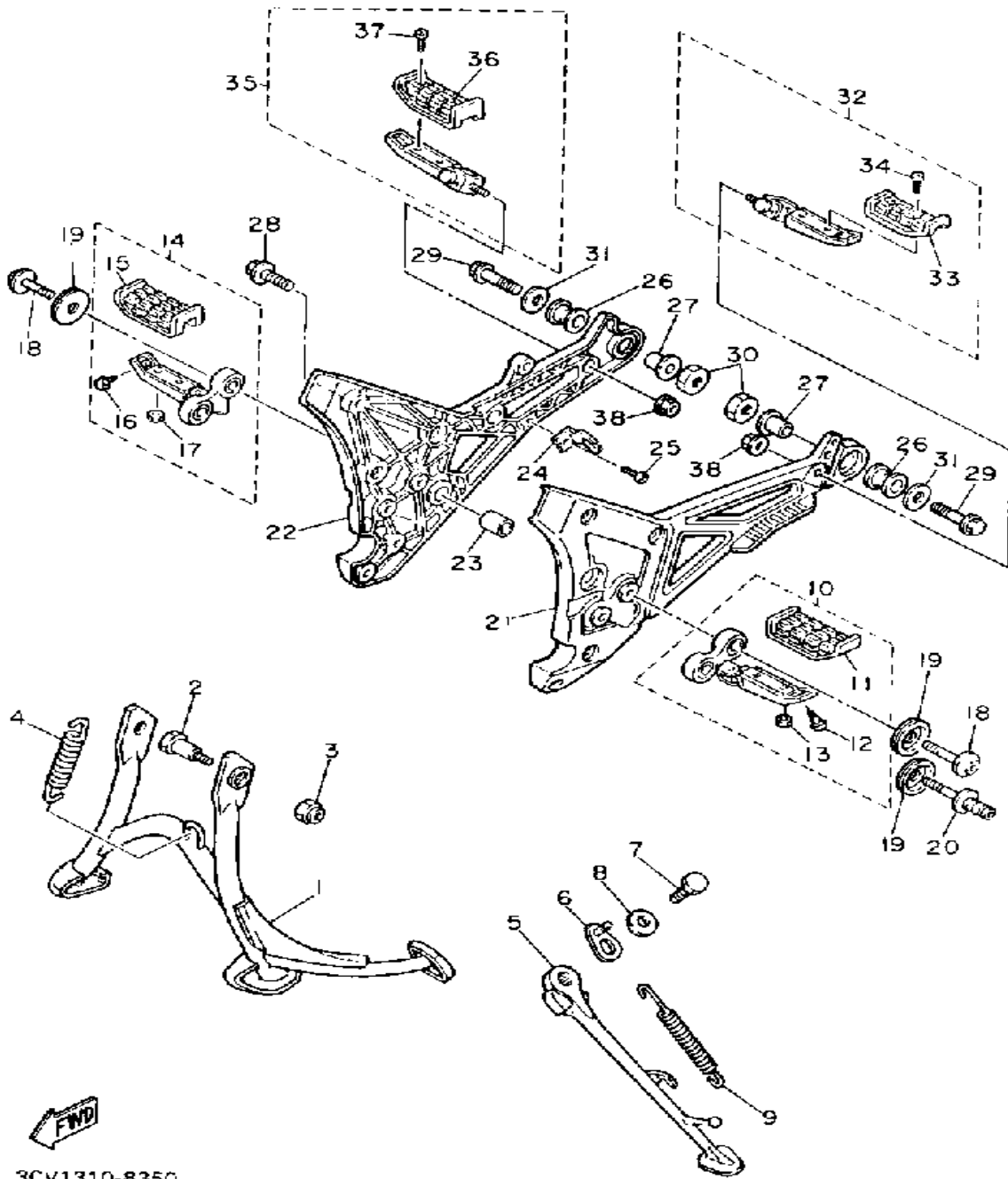
# FRONT MASTER CYLINDER 2



1UX110-6340

Ref. No.	Part Number	Description	Qty	Remarks
1	3BV-26450-10-00	MASTER CYLINDER ASSEMBLY (CLUTCH)	1	
2	2KW-W0099-00-00	. CYLINDER KIT, MASTER (CLUTCH)	1	
3	26H-26464-00-00	. ROD, PUSH	1	
4	3GM-26455-00-00	. BUSH	1	
5	1AE-26454-00-00	. DIAPHRAGM, RESERVOIR	1	
6	1FK-26452-01-00	. CAP, RESERVOIR	1	
7	98706-04012-00	. SCREW, FLAT HEAD	2	
8	1AE-83912-00-00	. LEVER L	1	
9	90109-067A0-00	. BOLT	1	
10	95616-06100-00	. NUT, U	1	
11	1AE-26467-00-00	. HOLDER	1	
12	91316-06025-00	BOLT	2	
13	92906-06100-00	WASHER, SPRING	2	
14	4L0-25862-00-00	BOOT, MASTER CYLINDER	1	
15	36Y-26471-00-00	PIPE	1	
16	36Y-26472-00-00	HOSE, CLUTCH 1	1	
17	36Y-26473-00-00	HOSE, CLUTCH 2	1	
18	341-25881-00-00	PROTECTOR, BRAKE HOSE	2	
19	90401-10096-00	BOLT, UNION	2	
20	90201-10118-00	WASHER, PLATE	4	
21	90338-09012-00	PLUG	1	

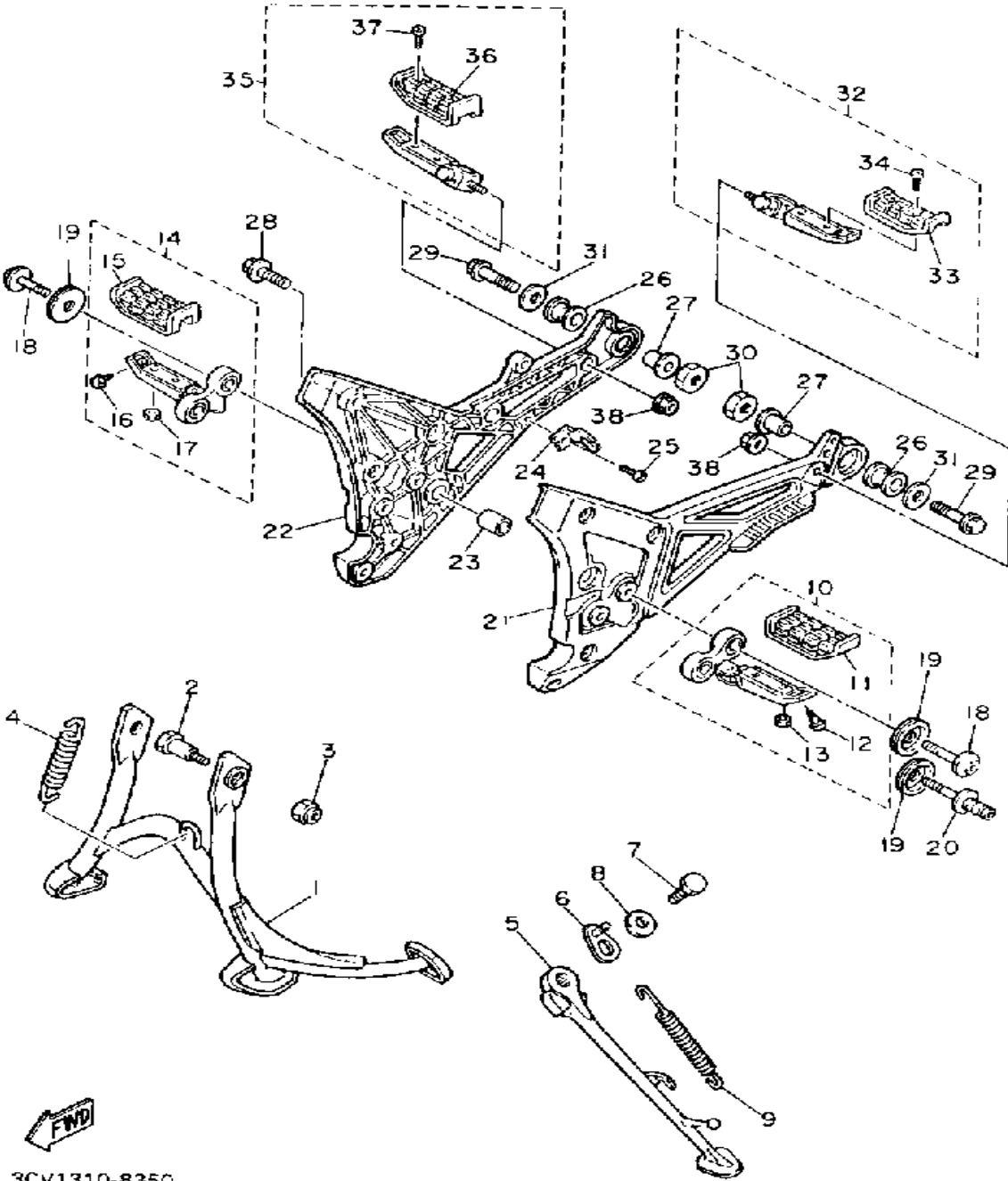
# STAND - FOOTREST



Ref. No.	Part Number	Description	Qty	Remarks
1	36Y-27111-01-33	STAND, MAIN	1	YAMAHA BLACK
2	90109-101E6-00	BOLT	2	
3	90185-10091-00	NUT, SELF-LOCKING	2	
4	90506-45278-00	SPRING, TENSION	1	
5	1TX-27311-00-R4	STAND, SIDE	1	BLACK
6	36Y-27352-00-00	HOOK, SIDE STAND	1	
7	90101-08662-00	BOLT	1	
8	90201-081L6-00	WASHER, PLATE	1	
9	90506-29358-00	SPRING, TENSION	1	
10	3CV-27410-00-00	FRT FOOTREST ASSEMBLY LASSEMBLY (LEFT)	1	
11	22N-27413-00-00	. COVER, FOOTREST	1	
12	90109-082A4-00	. BOLT	1	
13	95601-06100-00	. NUT, U	2	
14	3CV-27420-00-00	FRT FOOTREST ASSEMBLY RASSEMBLY (RIGHT)	1	
15	22N-27413-00-00	. COVER, FOOTREST	1	
16	90109-082A4-00	. BOLT	1	
17	95601-06100-00	. NUT, U	2	
18	90110-08123-00	BOLT, HEX SKT HEAD	3	
19	90209-08295-00	WASHER	4	
20	90109-086E4-00	BOLT	1	
21	3CV-2740A-00-00	BRKT, SUB ASSEMBLY LEFT (LT)	1	
22	3CV-2740E-00-00	BRKT, SUB ASSEMBLY RIGH (RT)	1	
23	90386-20130-00	BUSH, SPEC'L NYLON	1	
24	36Y-2741L-00-00	BRACKET 4	1	
25	98580-05010-00	SCREW, PAN HEAD	1	
26	36Y-27424-00-00	DAMPER, FOOTREST 2	2	

CONTINUED ON NEXT FRAME ►

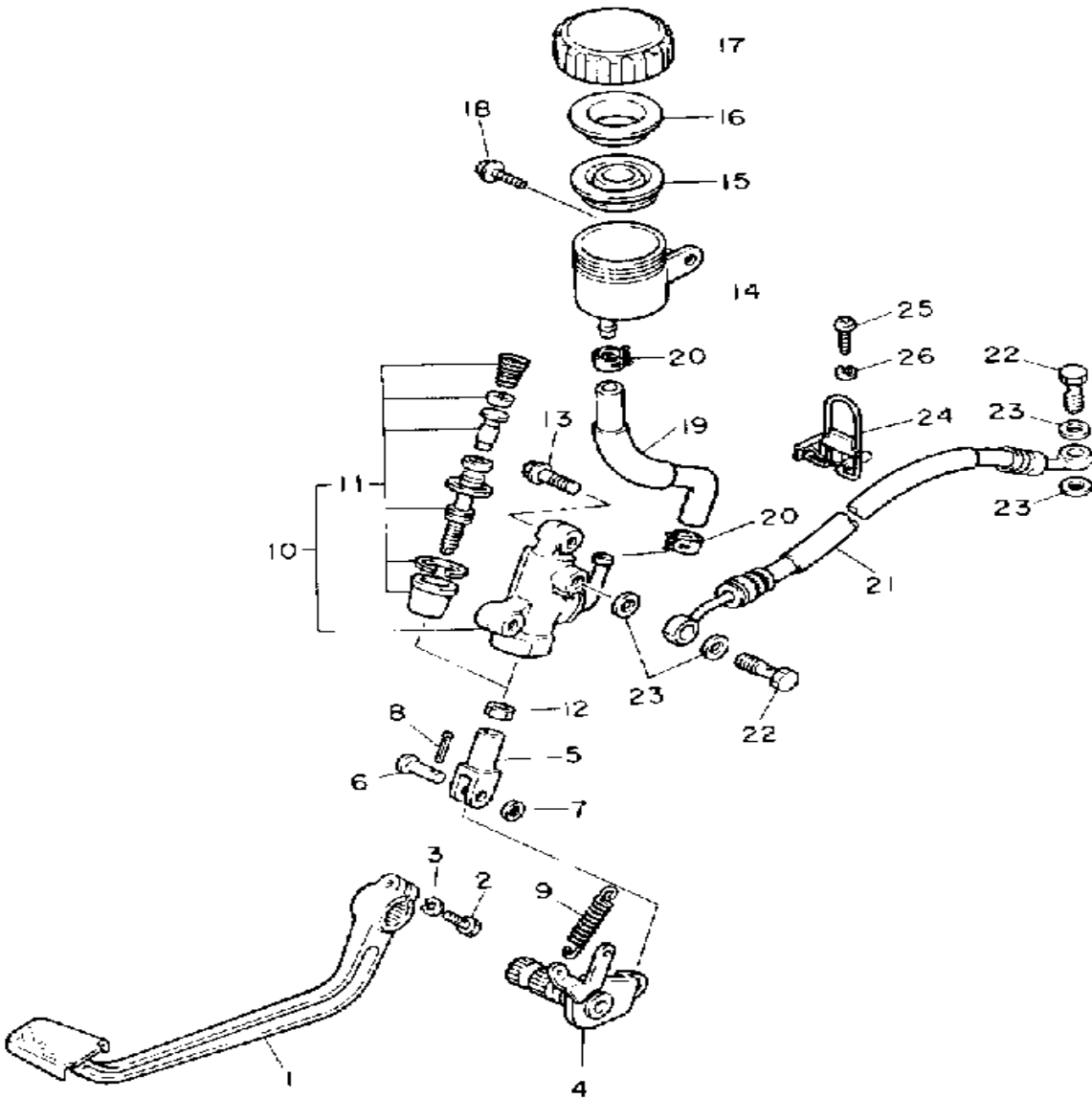
# STAND - FOOTREST



3CV1310-8350

Ref. No.	Part Number	Description	Qty	Remarks
27	90387-104L8-00	COLLAR	2	
28	90110-08123-00	BOLT, HEX SKT HEAD	2	
29	90105-10316-00	BOLT, WASHER BASED	2	
30	90179-10276-00	NUT, SPEC'L SHAPE	2	
31	90201-10669-00	WASHER, PLATE	2	
32	29L-27430-00-00	RR FOOTREST ASSEMBLY 1	1	
33	22N-27433-00-00	. COVER, RR FOOTREST	1	
34	98506-05010-00	. SCREW, PAN HEAD	2	
35	29L-27440-00-00	RR FOOTREST ASSEMBLY 2	1	
36	22N-27433-00-00	. COVER, RR FOOTREST	1	
37	98506-05010-00	. SCREW, PAN HEAD	2	
38	95701-10500-00	NUT, FLANGE (95702-10500)	2	

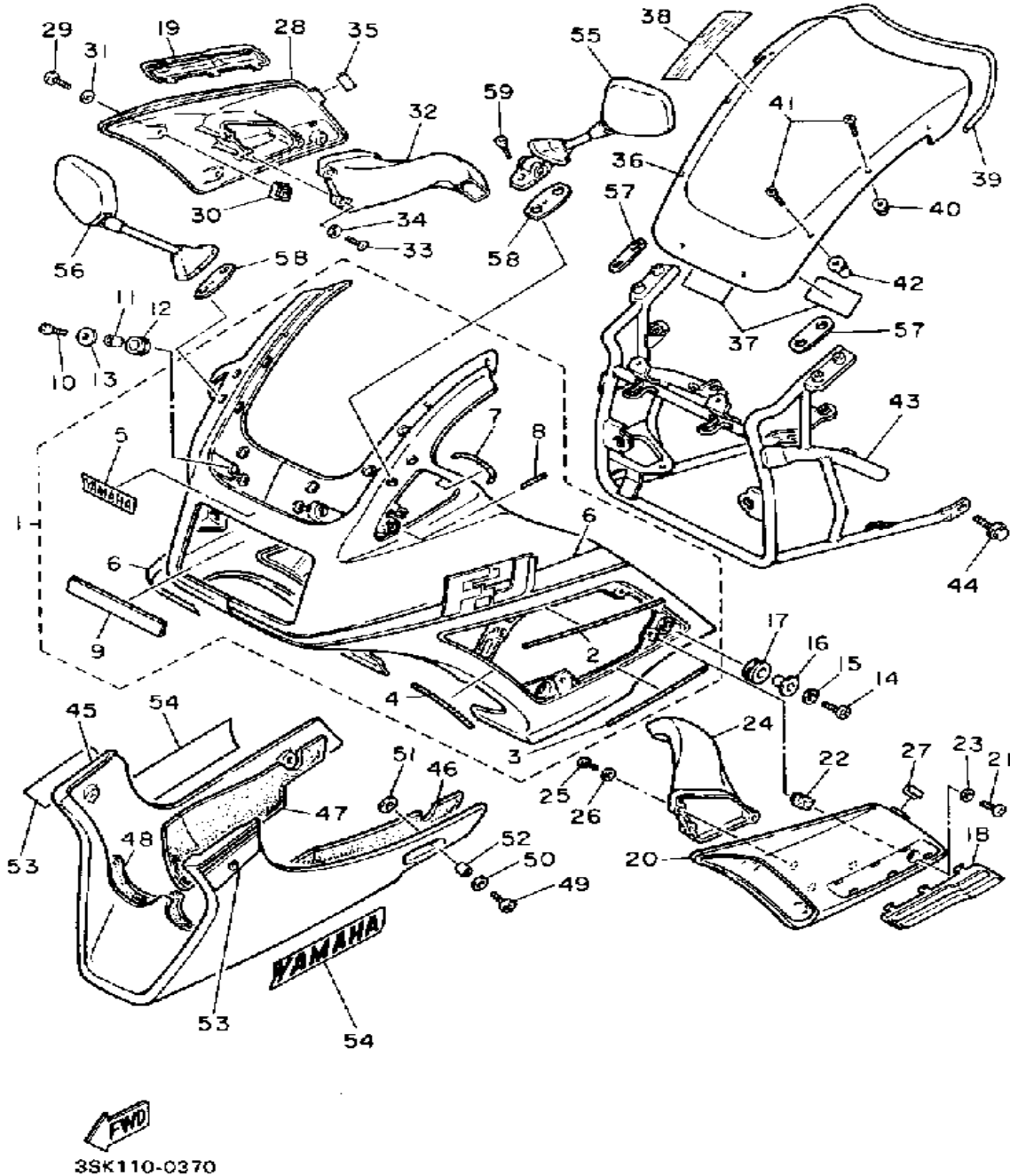
# REAR MASTER CYLINDER



3CV1310-8360

Ref. No.	Part Number	Description	Qty	Remarks
1	3XW-27211-00-00	PEDAL, BRAKE	1	
2	90109-06468-00	BOLT	1	
3	92995-06100-00	WASHER, SPRING	1	
4	3CV-27212-00-00	SHAFT, BRAKE PEDAL	1	
5	31A-27222-00-00	JOINT	1	
6	90240-08013-00	PIN, CLEVIS	1	
7	90201-08083-00	WASHER, PLATE	1	
8	91490-20020-00	PIN, COTTER	1	
9	90506-20192-00	SPRING, TENSION	1	
10	36Y-25850-51-00	MSTR CYLINDER ASSEMBLY	1	
11	36Y-W0042-51-00	. CYLINDER.KIT, MASTER	1	
12	95303-08700-00	NUT	1	
13	95023-08030-00	SCREW	2	
14	31A-25894-01-00	TANK, RESERVOIR	1	
15	360-25854-00-00	DIAPHRAGM, RESERVOIR	1	
16	2GU-25855-00-00	BUSH, DIAPHRAGM	1	
17	2KF-25852-50-00	CAP, RESERVOIR	1	
18	90159-06056-00	SCREW, WITH WASHER	1	
19	3CV-25895-00-00	HOSE, RESERVOIR	1	
20	90467-14057-00	CLIP	2	
21	36Y-25872-52-00	HOSE, BRAKE 1	1	
22	90401-10096-00	BOLT, UNION	2	
23	90201-10118-00	WASHER, PLATE	4	
24	1TX-25875-51-00	HOLDER, BRAKE HOS 1	1	
25	98580-06020-00	SCREW	1	
26	92995-06100-00	WASHER, SPRING	1	

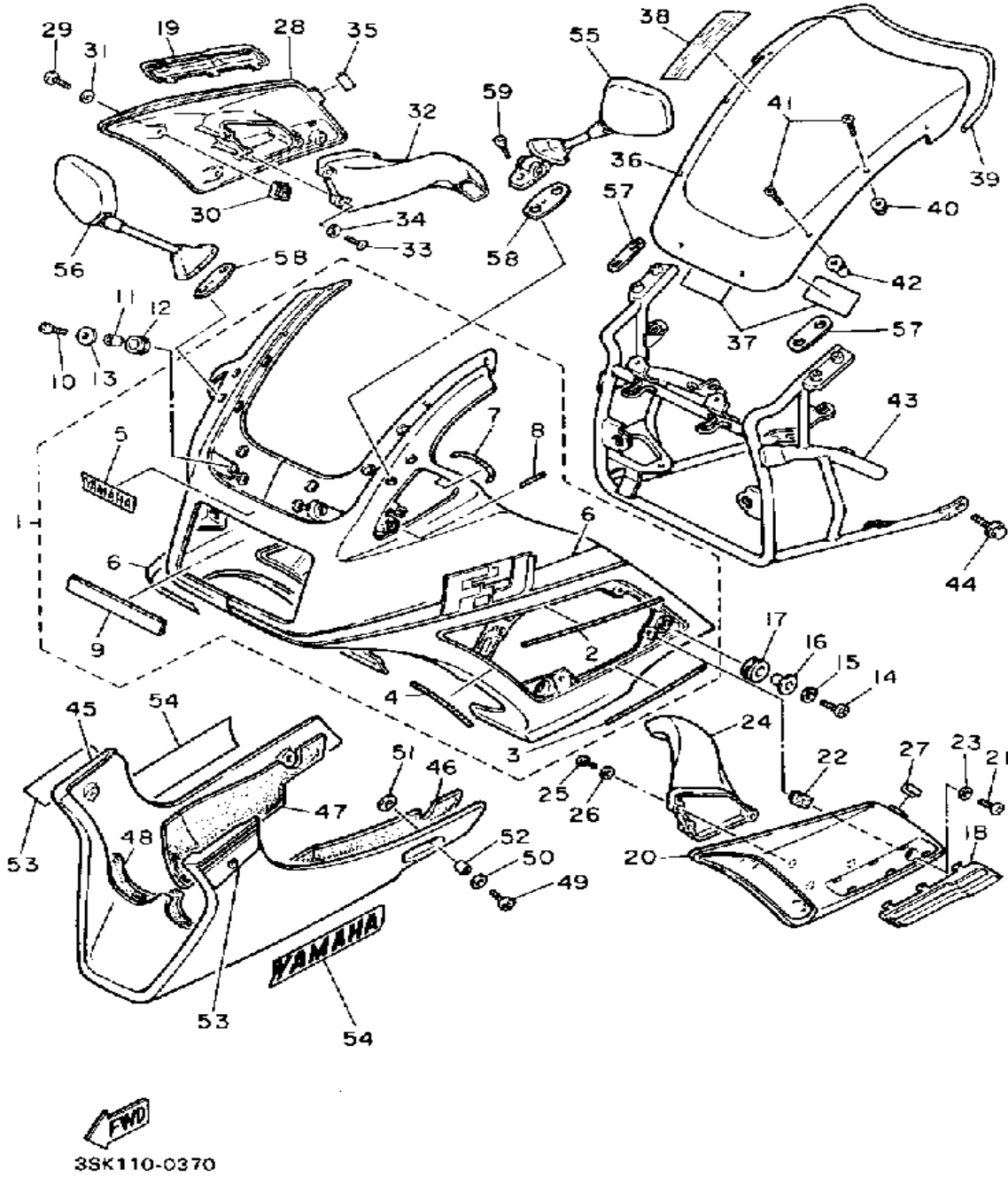
# COWLING 1



Ref. No.	Part Number	Description	Qty	Remarks
1	3CV-W2834-00-1X	BODY, COWLING	1	UR SILKY WHITE
	3CV-W2834-00-2X	BODY, COWLING	1	UR YAMAHA BLACK
2	1TX-28378-00-00	. PAD	2	
3	1TX-2837K-00-00	. DAMPER 6	2	
4	3CV-28378-00-00	. PAD	2	
5	99226-00025-00	. EMBLEM, YAMAHA	1	UR FOR YB
	99234-00025-00	. EMBLEM, YAMAHA	1	UR FOR SW
6	3CV-28390-21-00	. GRPHC SET, COWLING	1	UR FOR SW
	3CV-28390-32-00	. GRPHC SET, COWLING	1	UR FOR YB
7	3CV-2834G-00-00	. MOLD 5	2	
8	3CV-28339-00-00	. MOLD, LEG SHIELD	2	
9	3CV-2834F-00-00	. DAMPER (R.H)	1	
10	98580-06020-00	SCREW	2	
11	90387-060A7-00	COLLAR	2	
12	90480-16233-00	GROMMET	2	
13	90201-06697-00	WASHER, PLATE	2	
14	98580-06020-00	SCREW	4	
15	92901-06600-00	WASHER	4	
16	90387-093H1-00	COLLAR (46Y)	4	
17	90480-18488-00	GROMMET	4	
18	3CV-2832M-00-00	PROTECTOR 1	1	
19	3CV-2832N-00-00	PROTECTOR 2	1	
20	3CV-2837N-00-MW	GRILL, AIR INTAKE 1	1	UR BLUISH BLACK
	3CV-2837N-00-P0	GRILL, AIR INTAKE 1	1	UR LIGHT GRAYISH BLUOMETALLIC 1
21	90154-05005-00	SCREW, BINDING	3	
22	90183-05024-00	NUT, SPRING	3	
23	90202-05180-00	WASHER, PLATE	3	
24	36Y-2838N-00-00	DUCT 1	1	

CONTINUED ON NEXT FRAME ►

# COWLING 1

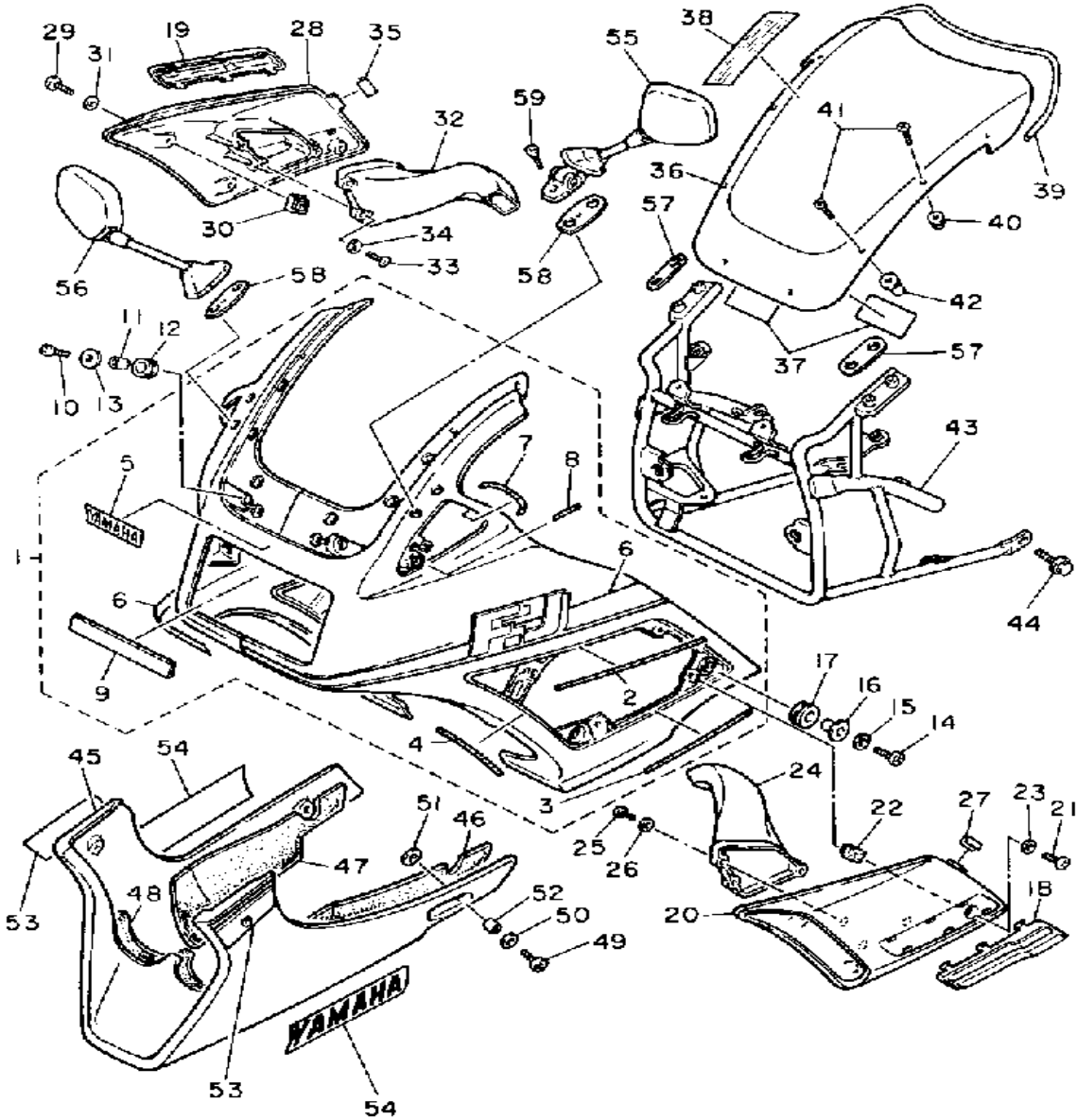


Ref. No.	Part Number	Description	Qty	Remarks
25	97780-40112-00	SCREW, TAPPING	3	
26	92990-04200-00	WASHER, PLAIN	3	
27	3CV-28218-00-00	SEAL 1	1	
28	3CV-2837R-00-MW	GRILL, AIR INTAKE 2	1	UR BLUISH BLACK
	3CV-2837R-00-P0	GRILL, AIR INTAKE 2	1	UR LIGHT GRAYISH BLUOMETALLIC 1
29	90154-05005-00	SCREW, BINDING	3	
30	90183-05024-00	NUT, SPRING	3	
31	90202-05180-00	WASHER, PLATE	3	
32	36Y-2838R-00-00	DUCT 2	1	
33	97780-40112-00	SCREW, TAPPING	3	
34	92990-04200-00	WASHER, PLAIN	3	
35	3CV-28218-00-00	SEAL 1	1	
36	3GP-28381-00-00	WINDSHIELD	1	
37	1JK-21735-00-00	SEAL 2	2	
38	3JJ-2835Y-00-00	LABEL, CAUTION	1	
39	36Y-28348-00-00	MOLE 4	1	
40	95706-05500-00	NUT, FLANGE	4	
41	90150-05024-00	SCREW, ROUND HEAD	8	
42	90179-05525-00	NUT	4	
43	3SK-28359-00-00	STAY 2	1	
44	95811-08016-00	BOLT, FLANGE	4	
45	1TX-28385-00-33	COVER, LOWER	1	UR YAMAHA BLACK
	1TX-28385-00-GE	COVER, LOWER	1	UR SILKY WHITE
46	1TX-2848K-01-00	SEAT 2	1	
47	1TX-2848L-01-00	SEAT 3	1	
48	1TX-2848M-00-00	SEAT 4	1	
49	90110-06104-00	BOLT, HEX SKT HEADHEXAGON SOCKET HEAD	4	

CONTINUED ON NEXT FRAME ►



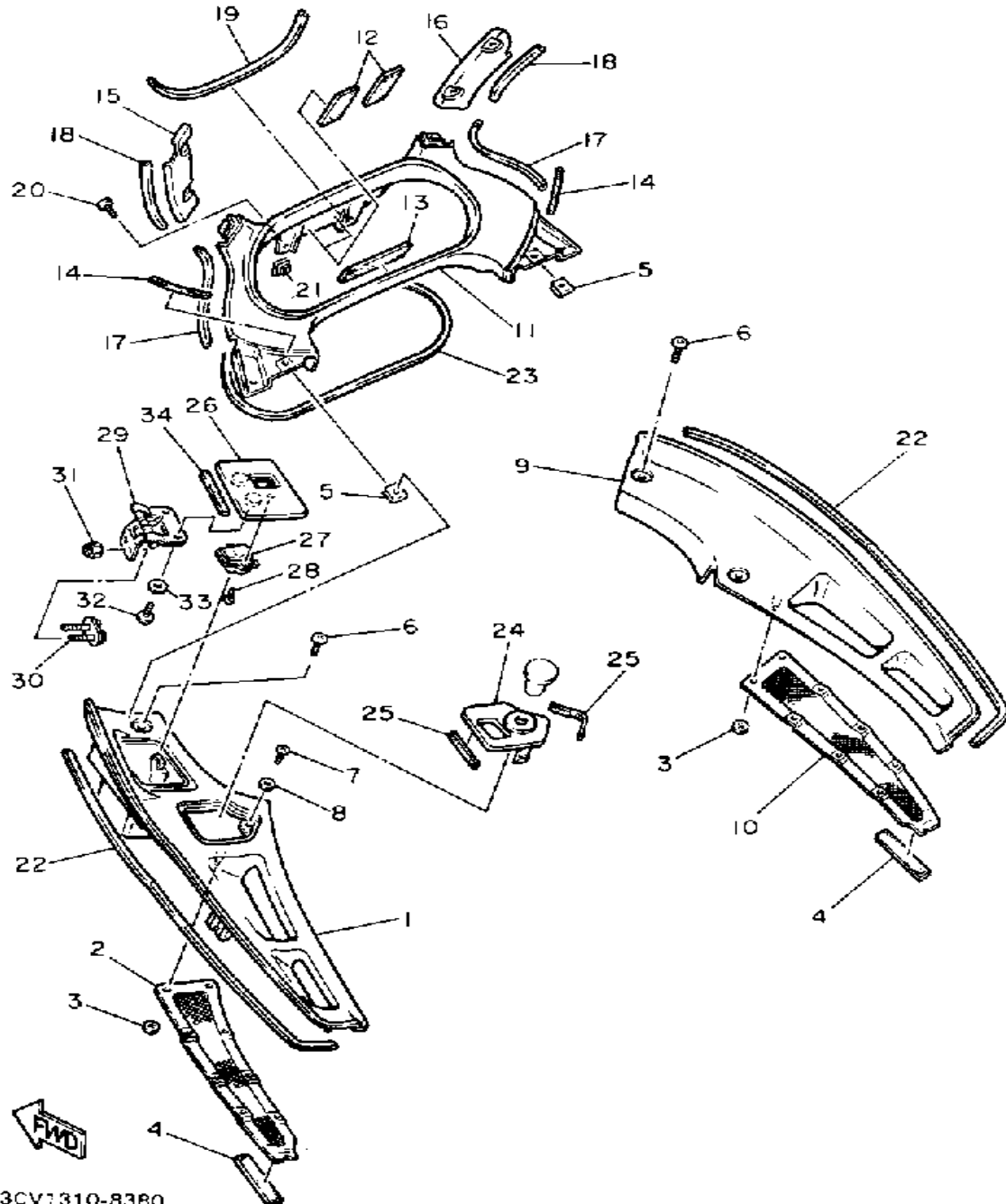
# COWLING 1



Ref. No.	Part Number	Description	Qty	Remarks
50	90202-06170-00	WASHER, PLATE .....	4	
51	90202-11161-00	WASHER, PLATE .....	4	
52	90387-064W1-00	COLLAR (90387-066J9) .....	4	
53	3CV-28301-20-00	GRAPHIC SET, LWR CVRLOWER COVER 1 .....	1	UR FOR SW
	3CV-28301-30-00	GRAPHIC SET, LWR CVRLOWER COVER 1 .....	1	UR FOR YB
54	99234-00060-00	EMBLEM, YAMAHA .....	2	UR FOR SW
55	3CV-26280-00-00	MIRROR ASSEMBLY (LT) ....	1	
56	3CV-26290-00-00	MIRROR ASSEMBLY (RT) ....	1	
57	3CV-26298-00-00	PLATE, MIRROR FITTING 1 ...	2	
58	3CV-26299-00-00	PLATE, MIRROR FITNG .....	2	
59	98706-06020-00	SCREW, FLAT HEAD .....	4	

 3SK110-0370

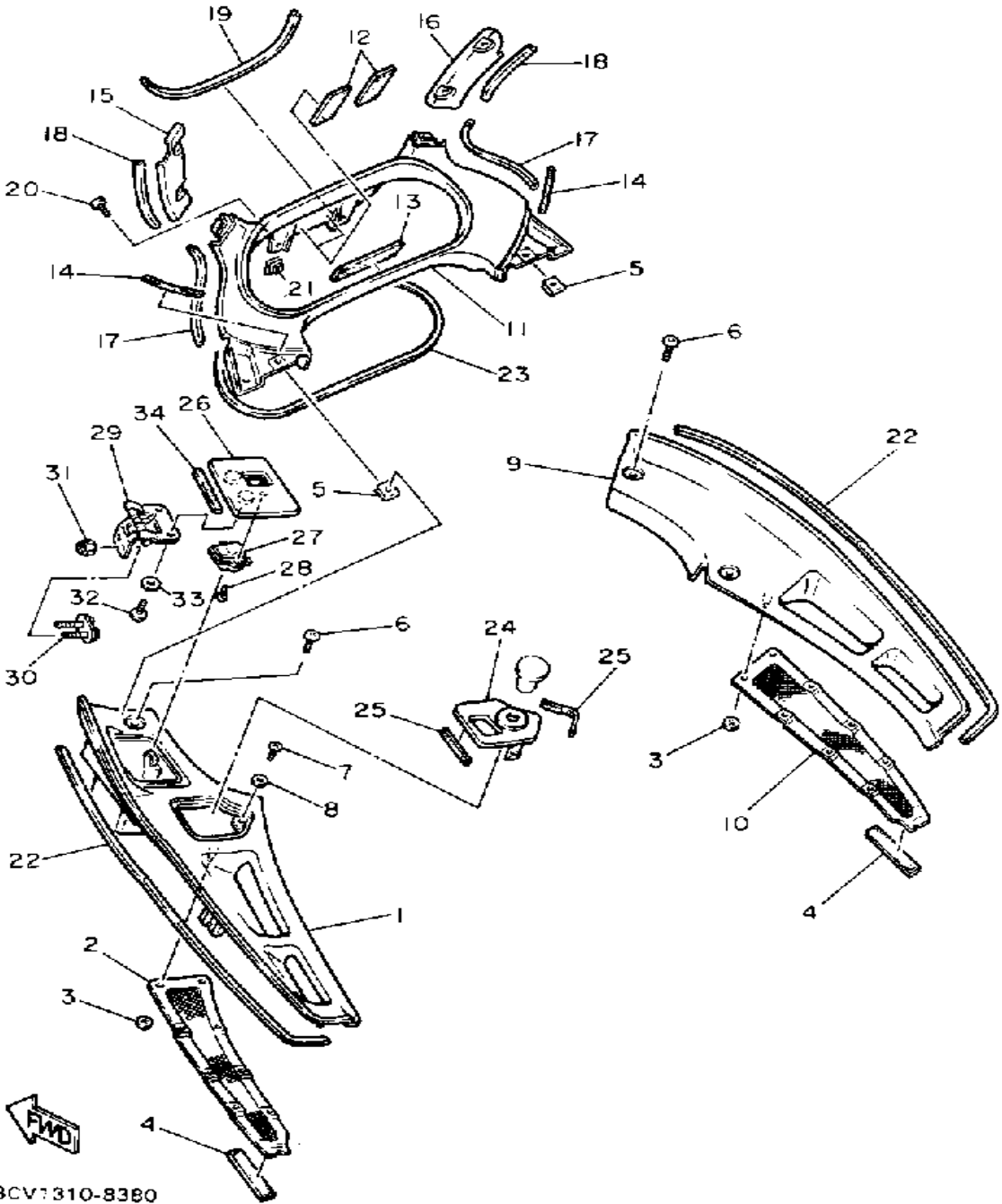
# COWLING 2



Ref. No.	Part Number	Description	Qty	Remarks
1	3CV-2837V-00-00	GRILL, AIR OUTLET 1	1	
2	3CV-28396-00-00	PLATE 1	1	
3	90183-03010-00	NUT, SPRING	16	
4	3CV-28371-00-00	DAMPER	2	
5	90183-05024-00	NUT, SPRING	4	
6	90154-05005-00	SCREW, BINDING	5	
7	98586-05016-00	SCREW, PAN HEAD	1	
8	92906-05600-00	WASHER, PLATE	1	
9	3CV-2837W-00-00	GRILL, AIR OUTLET 2	1	
10	3CV-28397-00-00	PLATE 2	1	
11	3CV-2836R-00-00	PANEL, INNER 5	1	
12	1TX-2834F-00-00	DAMPER (RH)	2	
13	1TX-2837J-00-00	DAMPER 5	1	
14	1TX-28267-00-00	DAMPER 5	2	
15	3CV-2835U-00-00	PANEL 1	1	
16	3CV-2835V-00-00	PANEL 2	1	
17	3CV-28345-00-00	MOLD 1	2	
18	3CV-28348-00-00	MOLD 4	2	
19	3CV-2834H-01-00	MOLE 6	1	
20	90154-05005-00	SCREW, BINDING	6	
21	90183-05024-00	NUT, SPRING	6	
22	3CV-28346-00-00	MOLD 2	2	
23	36Y-28348-00-00	MOLE 4	1	
24	1TX-28365-00-00	COVER	1	
25	1TX-28227-00-00	DAMPER 2	2	
26	3CV-2839K-00-00	LID 1	1	
27	1HX-21780-00-00	LOCK ASSEMBLY	1	
28	97706-40510-00	SCREW, TAPPING	2	
29	3CV-2849E-00-00	HINGE 4	1	

CONTINUED ON NEXT FRAME ►

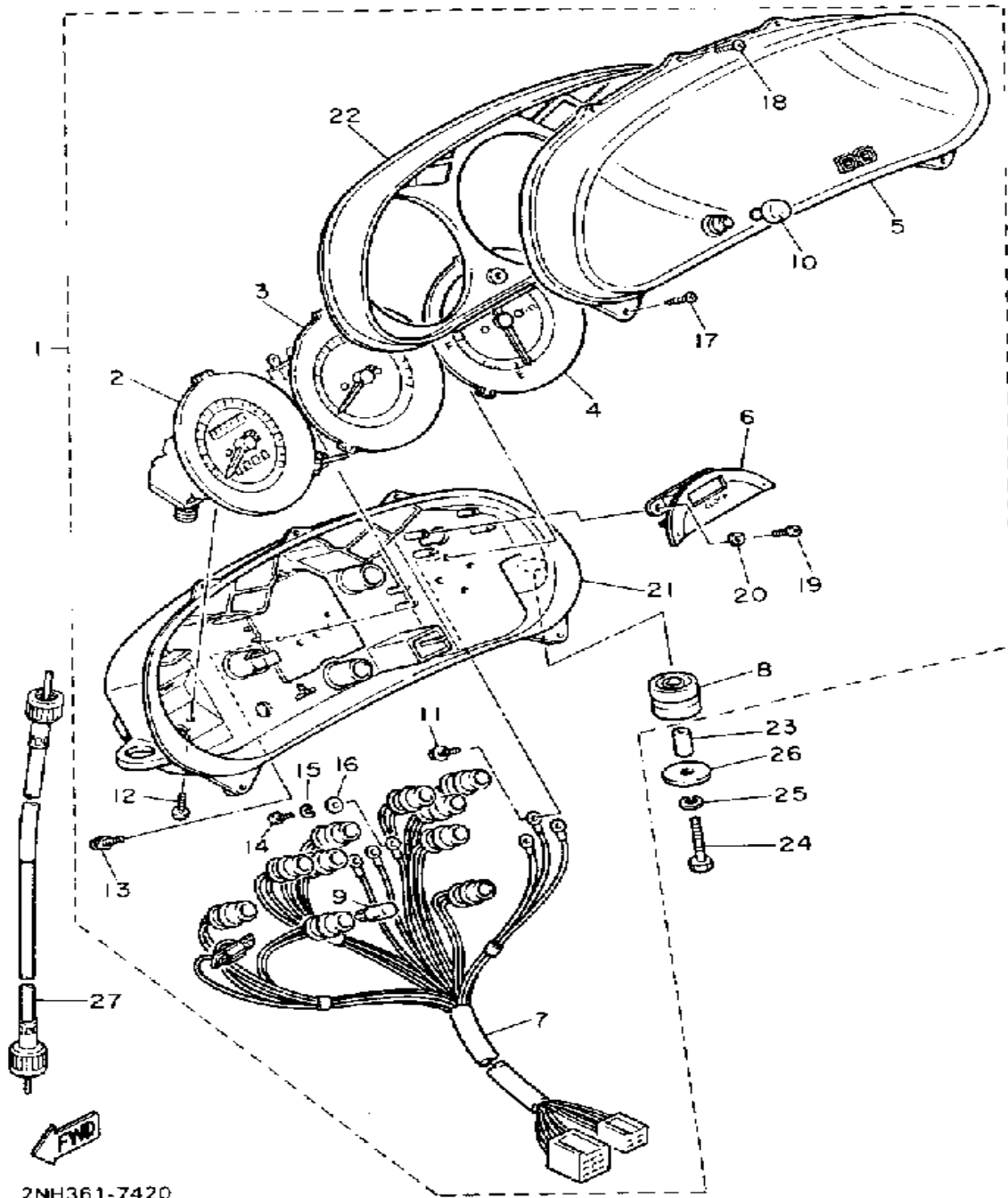
# COWLING 2



3CV1310-8380

Ref. No.	Part Number	Description	Qty	Remarks
30	3CV-2836A-00-00	BRACKET 1 .....	1	
31	95606-05200-00	NUT, U .....	2	
32	97706-50510-00	SCREW, TAPPING .....	2	
33	92906-05200-00	WASHER, PLAIN .....	2	
34	3CV-28372-00-00	DAMPER .....	1	

# METER



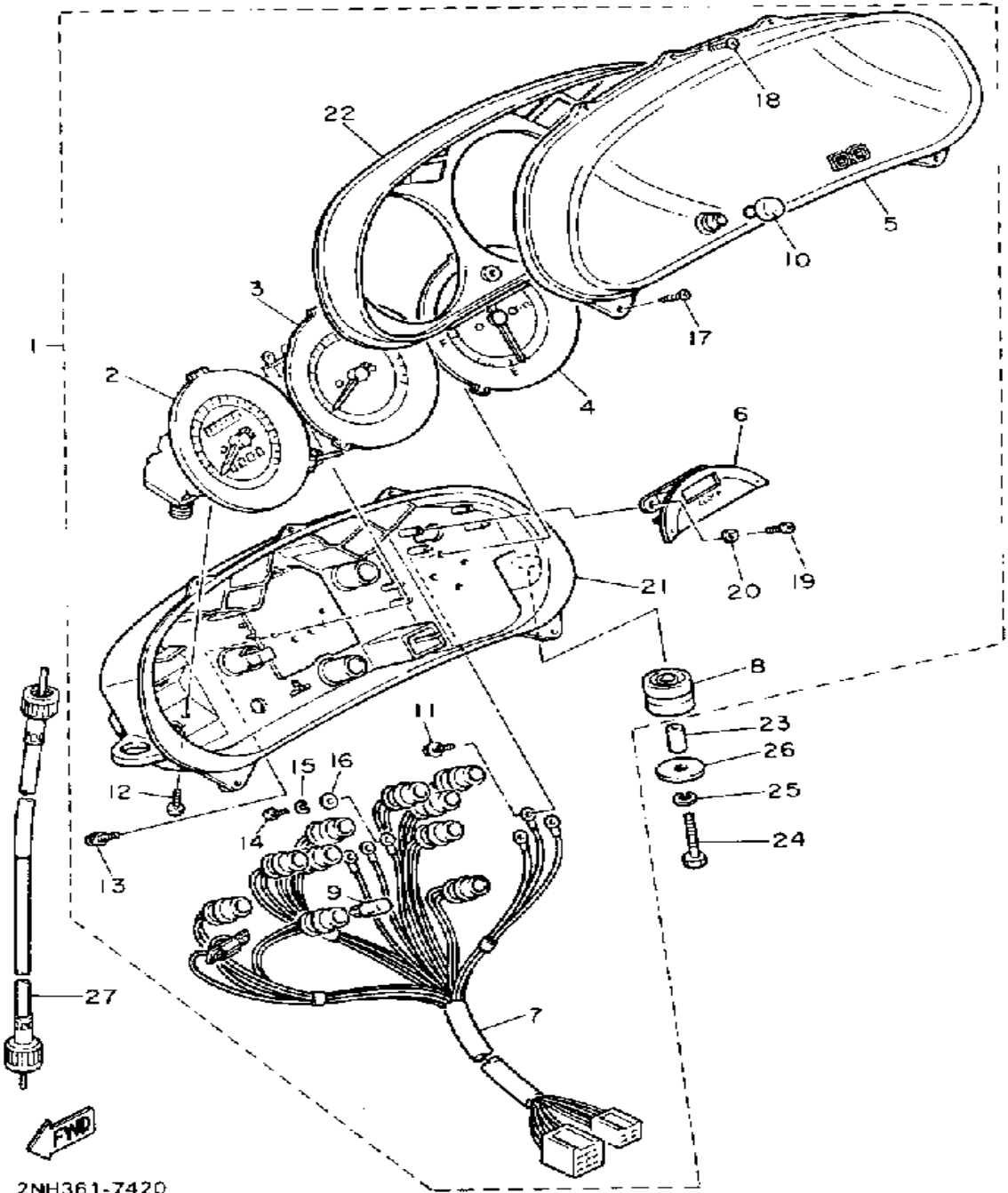
2NH361-7420

Ref. No.	Part Number	Description	Qty	Remarks
1	1WJ-83500-A0-00	SPEEDOMETER ASSEMBLY ..	1	
2	1WJ-83570-A0-00	. SPEEDOMETER ASSEMBLY .	1	
3	1TX-83540-00-00	. TACHOMETER ASSEMBLY ..	1	
4	1TX-85750-00-00	. FUEL METER ASSEMBLY ...	1	
5	1TX-83511-00-00	. LENS, SPEEDOMETER .....	1	
6	1TX-83740-00-00	. DIGITAL CLOCK ASSEMBLY .	1	
7	1TX-83509-00-00	. SOCKET CORD ASSEMBLY .	1	
8	36Y-83523-00-00	. DAMPER .....	2	
9	4G1-84744-00-00	. BULB, MTR.12V3.4W .....	10	
10	29L-83578-00-00	. KNOB, TRIP METER .....	1	
11	90159-03102-00	. SCREW, WITH WASHER .....	3	
12	90167-04021-00	. SCREW, TAPPING .....	2	
13	90159-04114-00	. SCREW, WITH WASHER .....	2	
14	98580-03010-00	. SCREW, PAN HEAD (98502-03010) .....		
	UNA-VAILA-BL-EI	0 0 .....	11	
15	92990-03100-00	. WASHER, SPRING (92901-03100) .....	3	
16	92902-03600-00	. WASHER .....	3	
17	90164-04005-00	. SCREW, TAPPING .....	2	
18	97780-30120-00	. SCREW, PANHEAD TAP .....	3	
19	4H7-83616-00-00	. SCREW, TAPPING .....	2	
20	1TX-83524-00-00	. WASHER, SPECIAL .....	2	
21	1TX-8353H-00-00	. CASE, INNER .....	1	
22	1TX-83612-00-00	. COVER, METER PANEL .....	1	
23	90387-060J4-00	COLLAR .....	2	
24	97021-06030-00	BOLT .....	2	
25	92995-06100-00	WASHER, SPRING .....	2	
26	90201-060A3-00	WASHER, PLATE .....	2	

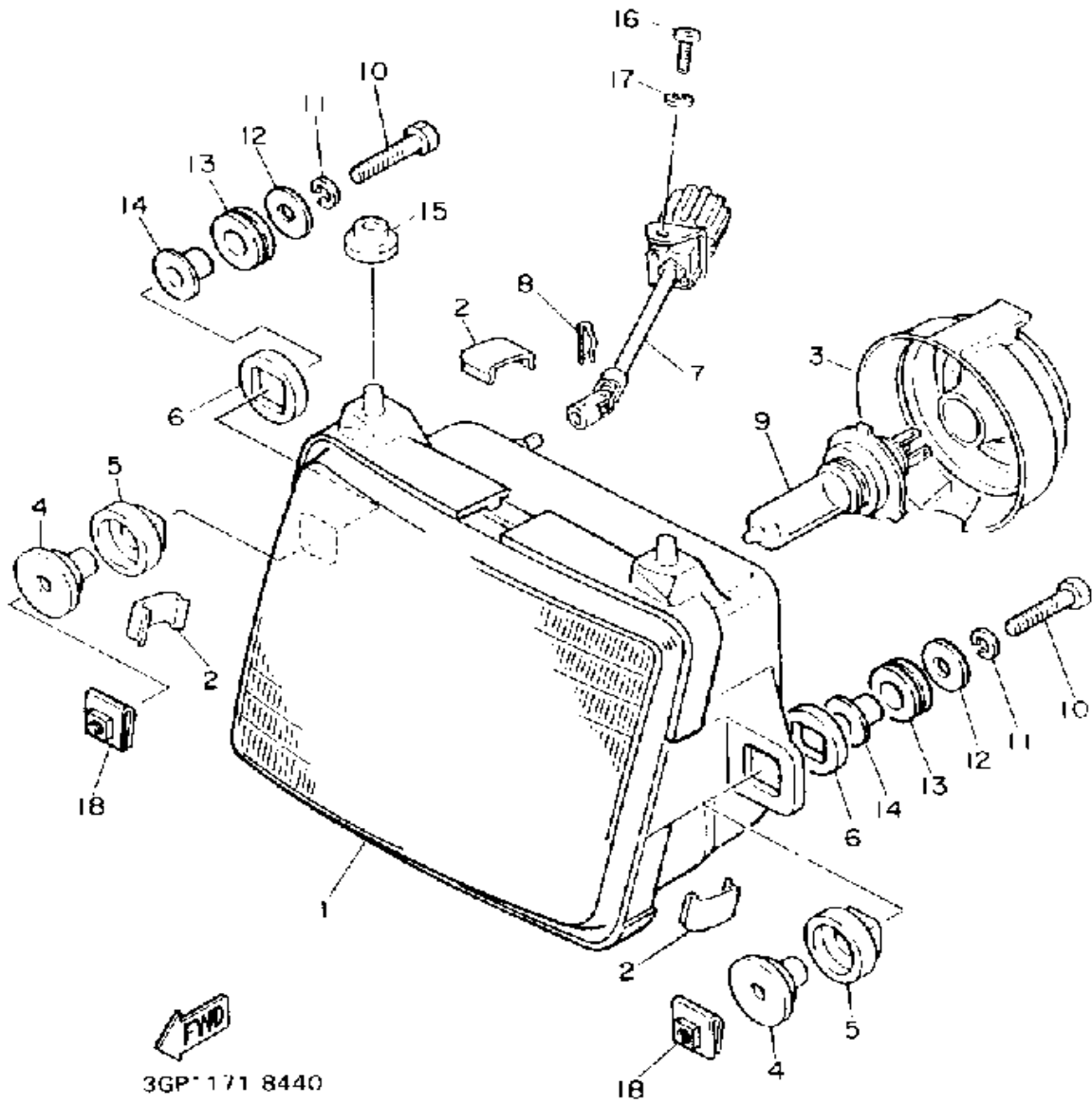
CONTINUED ON NEXT FRAME ►

# METER

Ref. No.	Part Number	Description	Qty	Remarks
27	34X-83550-01-00	SPEEDOMETER CABLE ASSEMBLY .....	2	

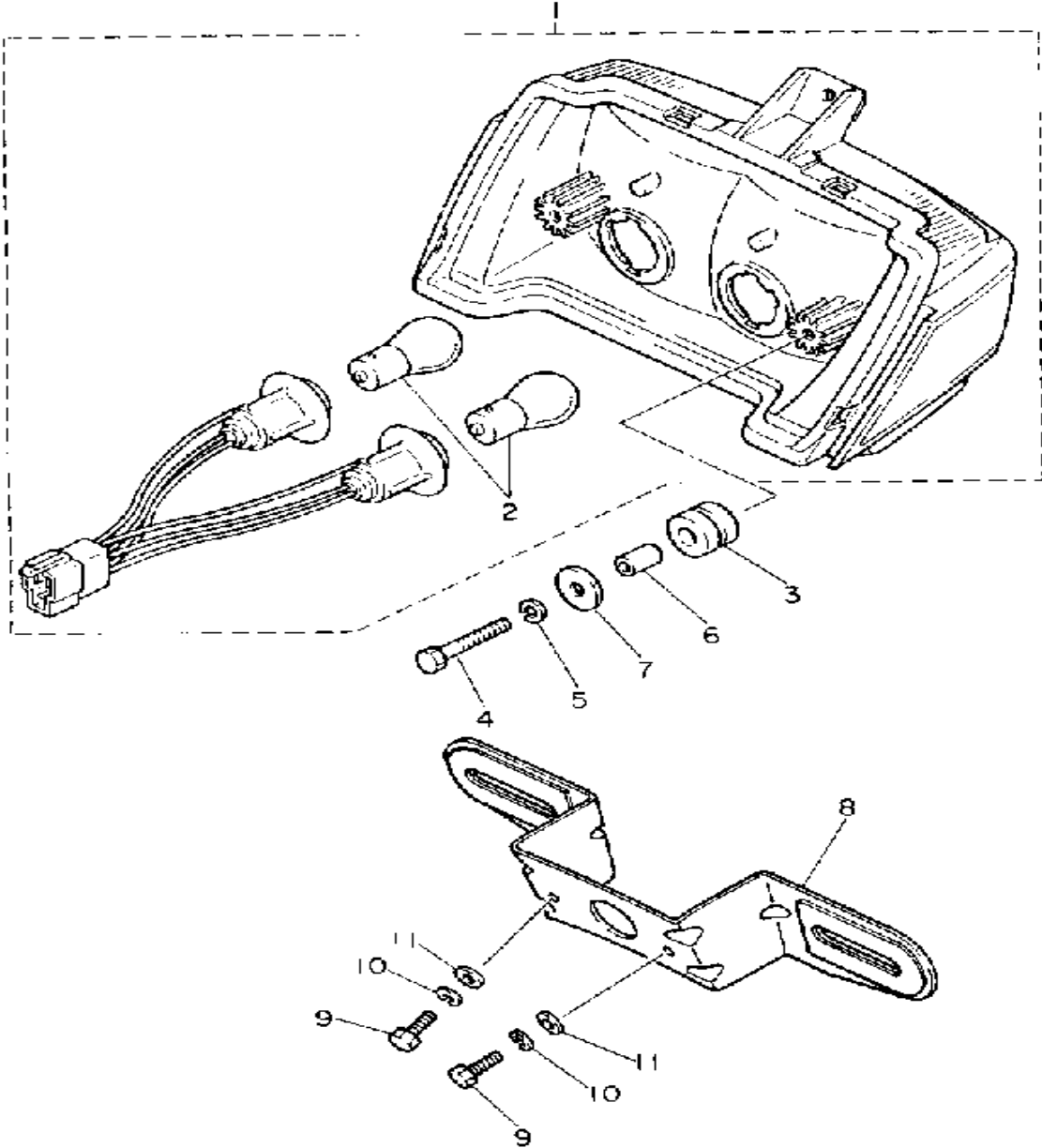


# HEADLIGHT



Ref. No.	Part Number	Description	Qty	Remarks
1	47M-84320-A0-00	LENS ASSEMBLY	1	
2	36Y-84324-00-00	SPRING, REFLECTOR	3	
3	36Y-84397-00-00	COVER, SOCKET	1	
4	498-84145-60-00	COLLAR, BODY FITTING	2	
5	498-84163-60-00	DAMPER	2	
6	498-84164-60-00	DAMPER	2	
7	36Y-8431M-00-00	ROD ASSEMBLY	1	
8	36Y-8431V-00-00	PIN	1	
9	5V2-84314-00-XX	BULB, HL 12V60/55W (2F9-84314-00)	1	LM
10	97001-08050-00	BOLT	2	
11	92990-08100-00	WASHER	2	
12	90201-08753-00	WASHER, PLATE	2	
13	90480-20338-00	GROMMET	2	
14	90387-081F5-00	COLLAR	2	
15	36Y-84354-00-00	GROMMET	2	
16	98516-06012-00	SCREW, PAN HEAD	1	
17	92906-06100-00	WASHER, SPRING	1	
18	36Y-28363-00-00	NUT	2	

# TAILLIGHT

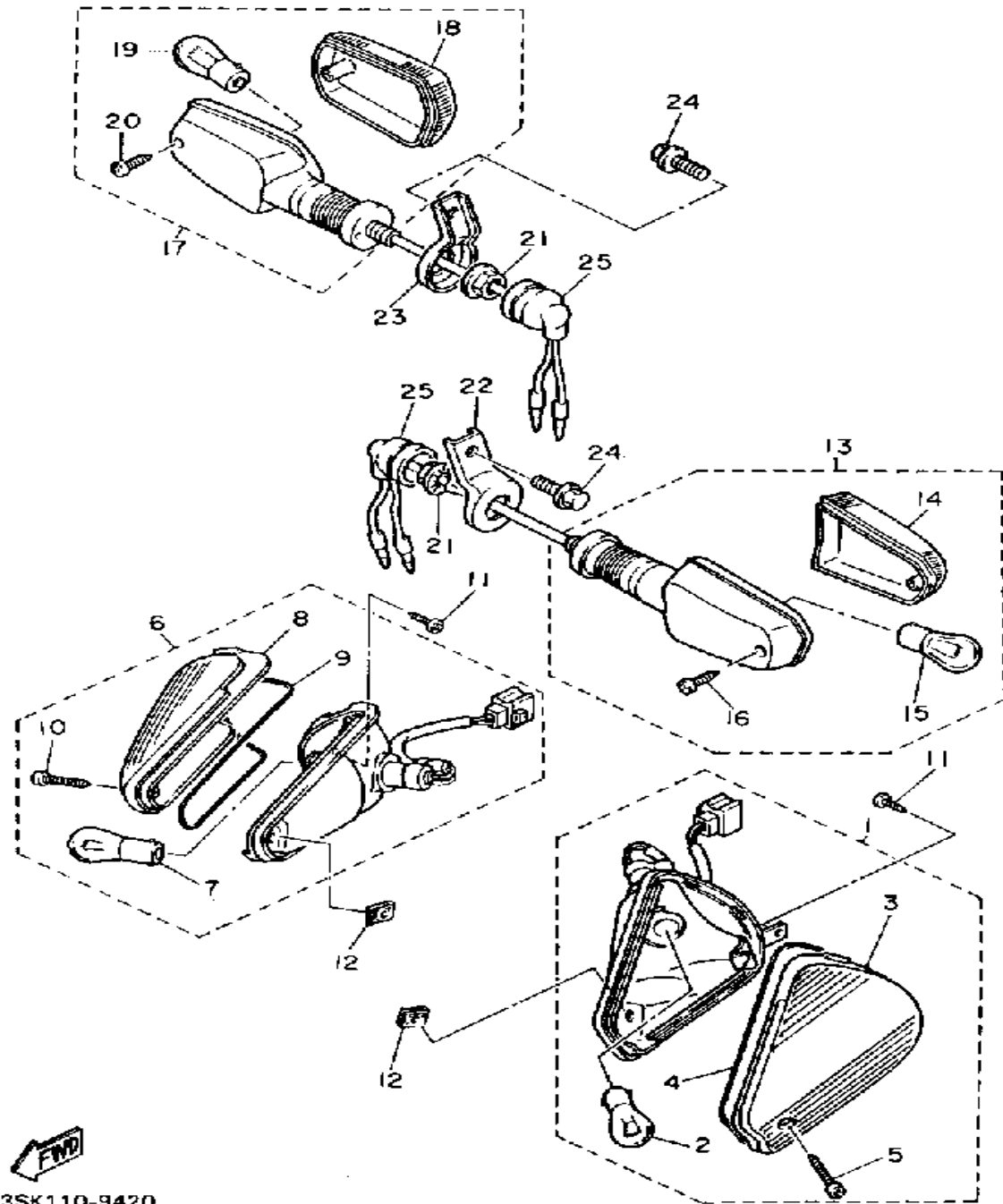


Ref. No.	Part Number	Description	Qty	Remarks
1	47M-84710-60-00	TAILLIGHT UNIT ASSEMBLY ..	1	
2	256-84714-61-00	. BULB (12V-27/8W) .....	2	
3	90480-14412-00	GROMMET .....	2	
4	97021-06030-00	BOLT .....	2	
5	92995-06100-00	WASHER, SPRING .....	2	
6	90387-06028-00	COLLAR .....	2	
7	90201-063J2-00	WASHER, PLATE .....	2	
8	26H-84751-00-98	BRACKET, LICENSE .....	1	LOW GLOSS BLACK
9	97016-06016-00	BOLT .....	2	
10	92906-06100-00	WASHER, SPRING .....	2	
11	90201-06067-00	WASHER, PLATE .....	2	



3BC170C-845C

# TURNSIGNAL

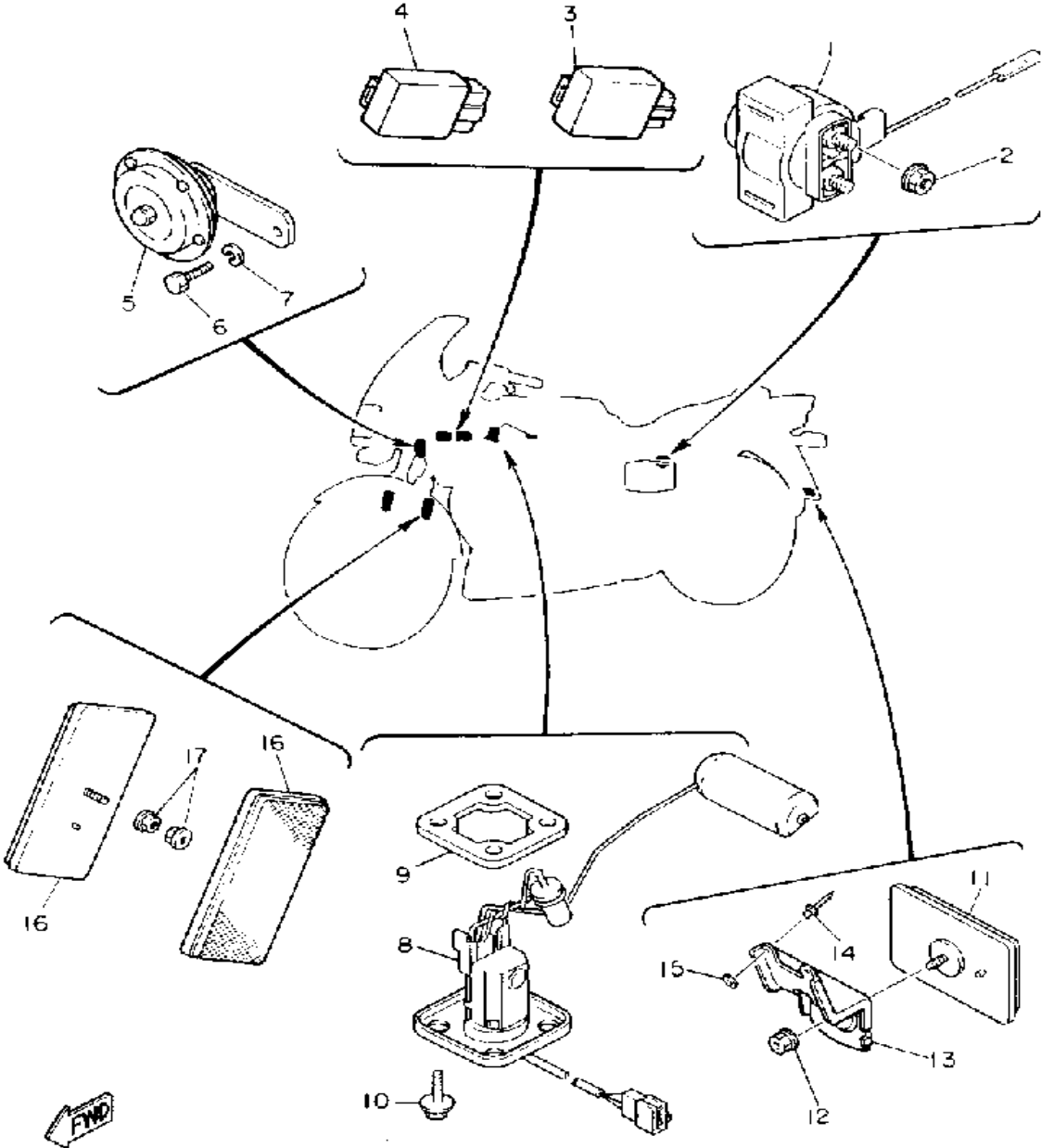


3SK110-9420

Ref. No.	Part Number	Description	Qty	Remarks
1	3GP-83310-00-00	FRT FLSHR LITE ASSEMBLY	1	
2	256-84714-61-00	. BULB (12V-27/8W)	1	
3	3CV-83312-00-00	. LENS, FLASHER	1	
4	3CV-83313-00-00	. GASKET, FLSHR LENS	1	
5	97702-40125-00	. SCREW, TAPPING	1	
6	3GP-83320-00-00	FRT FLSHR LITE ASSEMBLY	1	
7	256-84714-61-00	. BULB (12V-27/8W)	1	
8	3CV-83322-00-00	. LENS, FLASHER 2	1	
9	3CV-83313-00-00	. GASKET, FLSHR LENS	1	
10	97702-40125-00	. SCREW, TAPPING	1	
11	97702-40614-00	SCREW, TAPPING	2	
12	90183-04027-00	NUT, SPRING	2	
13	1UF-83330-00-00	REAR FLASHER LIGHT ASSEMBLY 1	1	
14	51L-83342-01-00	. LENS, FLASHER 2	1	
15	256-83311-70-XX	. BULB, TS 12V27W	1	
16	97706-40620-00	. SCREW, TAPPING	1	
17	1UF-83340-00-00	FLASHER LIGHT ASSEMBLY 2	1	
18	51L-83332-01-00	. LENS, FLASHER	1	
19	256-83311-70-XX	. BULB, TS 12V27W		
	UNA-VAILA-BL-EI	0 0	11	
20	97706-40620-00	. SCREW, TAPPING	1	
21	95706-12500-00	NUT, FLANGE	2	
22	36Y-83368-00-00	STAY, FLASHER	1	
23	36Y-83369-00-00	STAY, FLASHER	1	
24	95811-08012-00	BOLT, FLANGE	2	
25	18G-83365-00-00	CAP	2	



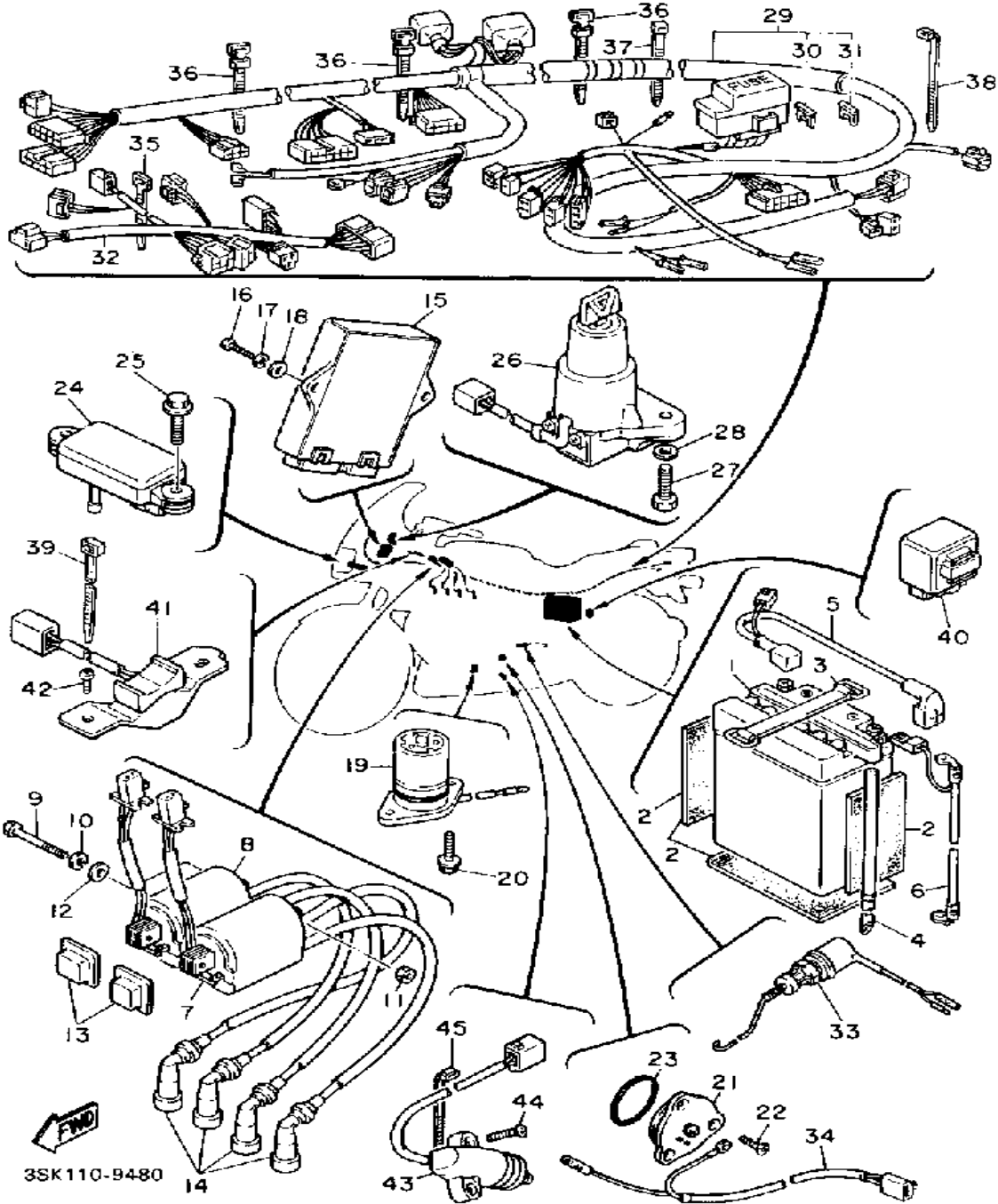
# ELECTRICAL 1



Ref. No.	Part Number	Description	Qty	Remarks
1	36Y-81940-00-00	STARTER RELAY ASSEMBLY .	1	
2	95701-06500-00	NUT, FLANGE . . . . .	2	
3	2UJ-81950-00-00	RELAY ASSEMBLY . . . . .	1	
4	2UJ-83350-00-00	FLASHER RELAY ASSEMBLY .	1	
5	4V8-83371-20-00	HORN . . . . .	1	
6	97016-08016-00	BOLT . . . . .	1	
7	92906-08100-00	WASHER, SPRING . . . . .	1	
8	36Y-85752-03-00	SNDR UT ASSEMBLY, F/MTRFUEL METER . . . . .	1	
9	5G3-85753-00-00	GASKET, SENDER UNIT . . . . .	1	
10	90119-05071-00	BOLT, WITH WASHER . . . . .	4	
11	3G1-85130-01-00	REAR REFLECTOR ASSEMBLY	1	
12	95701-05500-00	NUT, FLANGE . . . . .	1	
13	47M-85132-00-00	BRACKET, REFLECTOR 1 . . . . .	1	
14	90267-32070-00	RIVET, BLIND . . . . .	2	
15	92990-03200-00	WASHER, PLAIN . . . . .	2	
16	11H-85110-01-00	REFLECTOR ASSEMBLY . . . . .	2	
17	95701-05500-00	NUT, FLANGE . . . . .	2	

3GP1771-8470

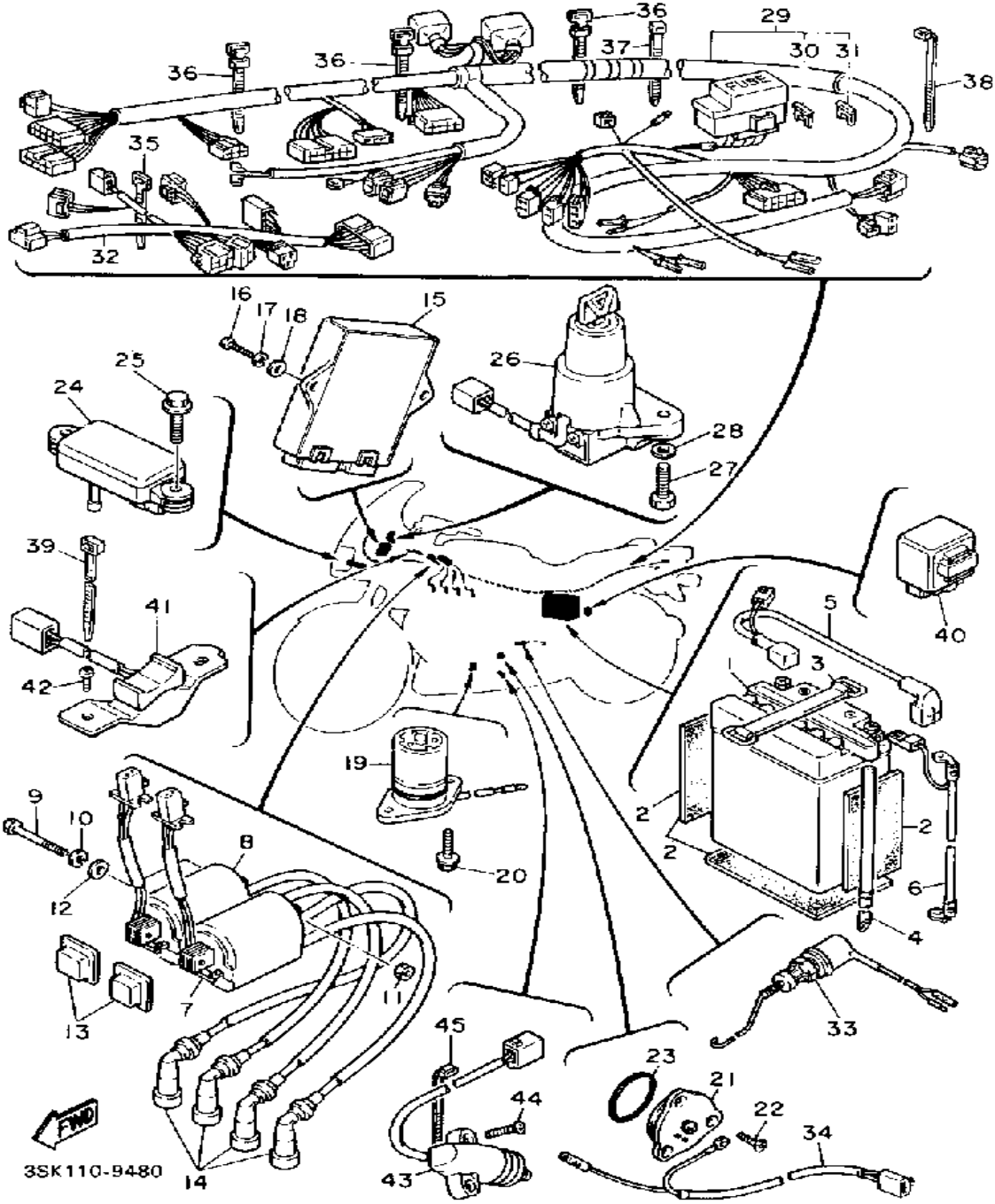
# ELECTRICAL 2



Ref. No.	Part Number	Description	Qty	Remarks
1	BTY-YB14L-A2-00	BATTERY ASSEMBLY (YB14L-A2)	1	YAMAHA
2	5X2-24183-00-00	DAMPER, LOCATING 3	3	
3	2T4-82131-00-00	BAND, BATTERY	1	
4	90445-083A4-00	HOSE	1	
5	1TX-82115-00-00	WIRE, PLUS LEAD	1	
6	3CV-82116-00-00	WIRE, MINUS LEAD	1	
7	3CV-82310-00-00	IGNITION COIL ASSEMBLY	1	
8	3CV-82320-00-00	IGNITION COIL ASSEMBLY	1	
9	97313-06070-00	NUT (97301-06070)	1	
10	92995-06100-00	WASHER, SPRING	1	
11	95380-06600-00	NUT	1	
12	92990-06200-00	WASHER	1	
13	4U8-82317-00-00	DAMPER, IGNITION COIL	2	
14	1UY-82370-20-00	PLUG CAP ASSEMBLY	4	
15	3SK-82305-01-00	IGNITOR UNIT ASSEMBLY 1	1	
16	98503-06014-00	SCREW, PAN HEAD (92502-06016)	2	
17	92995-06100-00	WASHER, SPRING	2	
18	92990-06600-00	WASHER, PLATE	2	
19	4H7-85720-01-00	OIL LVL GAUGE ASSEMBLY	1	
20	95026-06016-00	BOLT, FLANGE	2	
21	1L9-82540-00-00	NEUTRAL SWITCH ASSEMBLY	1	
22	98701-05012-00	SCREW, FLAT HEAD	3	
23	93210-29196-00	O-RING	1	
24	22N-82380-10-00	SENSOR, PRESSURE	1	
25	90119-06096-00	BOLT, WITH WASHER	2	
26	3JV-82501-00-00	MAIN SWITCH STEERING LOCK	1	
27	97011-06016-00	BOLT	2	

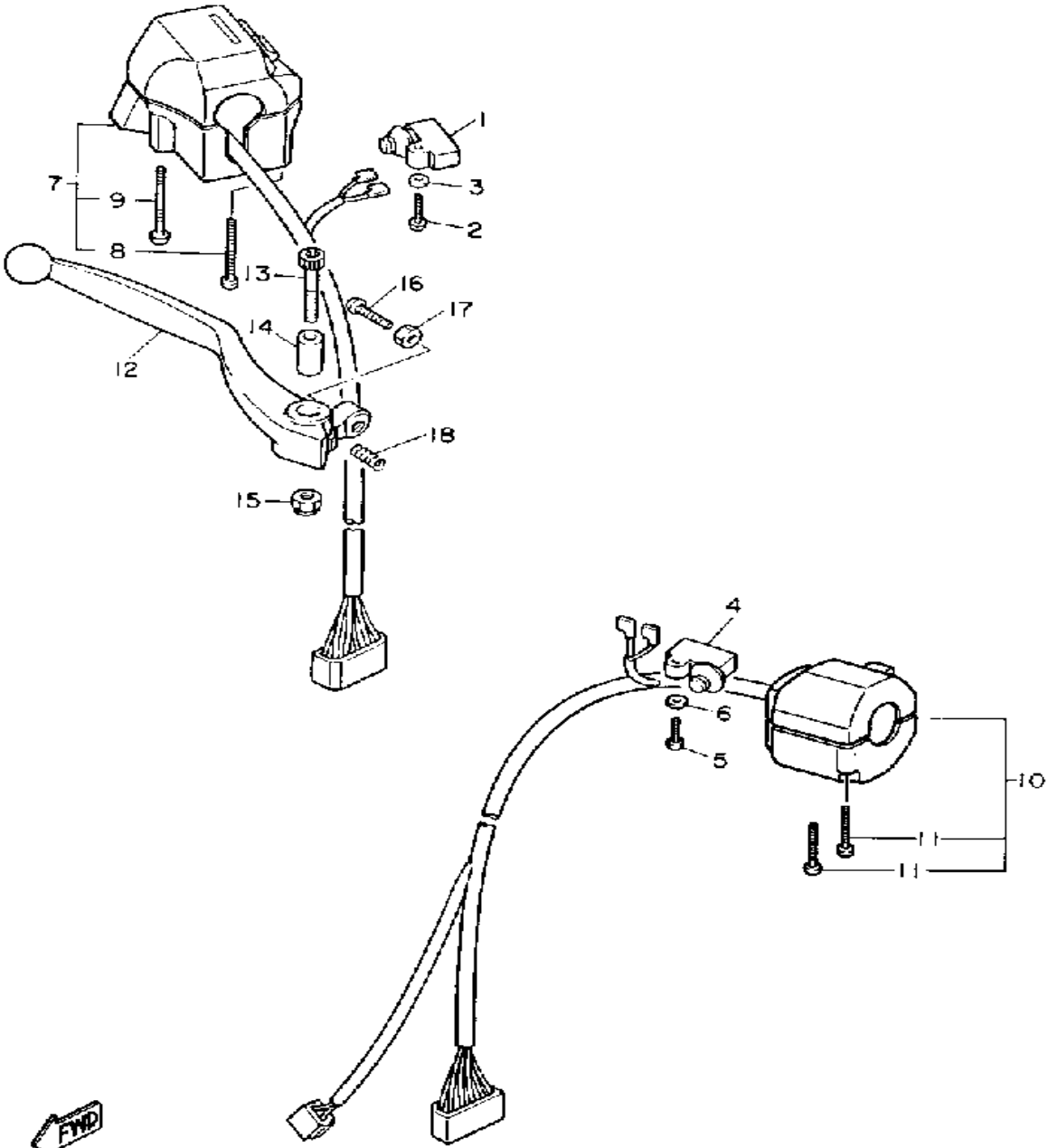
CONTINUED ON NEXT FRAME ►

# ELECTRICAL 2



Ref. No.	Part Number	Description	Qty	Remarks
28	92990-06600-00	WASHER, PLATE .....	2	
29	3SK-82590-00-00	WIRE HARNESS ASSEMBLY ..	1	
30	1AE-82151-00-00	. FUSE (30A-BL) .....	2	
31	36Y-82151-00-00	. FUSE (15A-BL) .....	4	
32	3SK-82580-00-00	WIRE HARNESS ASSEMBLY 2	1	
33	36Y-82530-02-00	STOP SWITCH ASSEMBLY ...	1	
34	36Y-82509-00-00	WIRE, SUB LEAD .....	1	
35	25G-83936-01-00	BAND, SWITCH CORD .....	2	
36	5Y9-12491-00-00	CLAMP 1 .....	6	
37	90465-13169-00	CALMP .....	5	
38	90464-13073-00	CLAMP .....	1	
39	90464-14117-00	CLAMP .....	2	
40	42H-85740-00-00	CONTROL UNIT ASSEMBLY ..	1	FOR FUEL PUMP
41	3TJ-83964-00-00	SWITCH .....	1	
42	90154-05005-00	SCREW, BINDING .....	2	
43	33E-82566-00-00	SWITCH, SIDE STAND .....	1	
44	90152-05021-00	SCREW, COUNTERSUNK .....	2	
45	90464-13073-00	CLAMP .....	1	

# HANDLE SWITCH - LEVER



1UX110-6450

Ref. No.	Part Number	Description	Qty	Remarks
1	J45-82503-01-00	SWITCH, ALARM .....	1	
2	98506-04018-00	SCREW, PAN HEAD .....	1	
3	92906-04600-00	WASHER, PLATE .....	1	
4	36Y-82917-00-00	SWITCH .....	1	
5	98506-04018-00	SCREW, PAN HEAD .....	1	
6	92906-04600-00	WASHER, PLATE .....	1	
7	47M-83975-01-00	SWITCH, HANDLE 2 .....	1	
8	98506-05040-00	. SCREW, PAN HEAD .....	1	
9	98506-05045-00	. SCREW, PAN HEAD .....	1	
10	1UX-83973-00-00	SWITCH, HANDLE 3 .....	1	
11	98506-05035-00	. SCREW, PAN HEAD .....	2	
12	36Y-83922-00-00	LEVER R .....	1	
13	90110-06074-00	BOLT, HEXAGON SOCKET HEAD .....	1	
14	36Y-83913-01-00	COLLAR, LEVER 1 .....	1	
15	95616-06100-00	NUT, U .....	1	
16	90149-06153-00	SCREW, SPEC'L SHAPE .....	1	
17	90170-06010-00	NUT .....	1	
18	90501-10312-00	SPRING, COMPRESSION .....	1	

## FJ1200A, AC

### 1990 SERVICE DATA

<b>MODEL / PREFIX</b>	FJ1200A / 3SK
	FJ1200AC / 3SK
<b>INITIAL ENGINE NUMBER / FRAME NUMBER</b>	A: 3SK-010101/JYA3SKE0( )LA010101 AC: 3SK-015101/JYA3SKC0( )LA015101
<b>ENGINE:</b>	Air-Cooled, Four-Stroke, DOHC Four
Bore / Stroke / Number Cylinders / Displacement	77mm / 63.8mm / 4 / 1188cc
Compression Ratio/Pressure Standard (Min~Max)	9.7:1 / 149 psi (128~171 psi)
Valve Clearance (Cold): Intake / Exhaust	0.11~0.15mm / 0.16~0.20mm
Oil Type: Above 5°C (40°F)	Yamalube 4* or SAE 20W40 SE or SF
Oil Type: Below 15°C (60°F)	Yamalube 4* SAE 10W30 SE or SF
Capacity: Oil and Filter Change / Oil Change Only	3350cc (3.5 qt) / 3000cc (3.2 qt)
Oil Filter Part Number	36Y-13441-00-00
<b>TRANSMISSION:</b>	
Oil Type/Capacity/Drive Chain Free Play	See ENGINE / $\phi$ / 15~20mm
<b>MIDDLE GEAR CASE: Oil Type / Capacity</b>	$\phi$ / $\phi$
<b>FINAL GEAR CASE: Oil or Grease Type/Capacity</b>	$\phi$ / $\phi$
<b>FUEL TANK: Main / Reserve / Fuel Type</b>	22 Lit (5.8 gal)/5 Lit (1.3 gal)/Unleaded Regular
<b>COOLING SYSTEM: Coolant Type / Mixing Ratio (Liquid)</b>	$\phi$ / $\phi$
<b>CARBURETOR:</b>	
Manufacturer / Type / ID Number	Mikuni / BS36 / A: 3SK-00 AC: 3SK-10
Main Jet / Pilot Jet / Pilot Screw (Turns Out)	#110 / #37.5 / $\phi$
Needle Jet / Jet Needle / Clip Position	Y-2 (#378) / 5FZ72 / Fixed
Slide Cutaway	$\phi$
Float Height / Fuel Level	22.3 $\pm$ 1mm / 3 $\pm$ 1mm (With Special Tool)
Idle rpm	1100 $\pm$ 50
Max CO <sub>e</sub> / Max HC <sub>e</sub> / Set CO <sub>e</sub>	7.0% / 800 ppm / 3.5% @ 1100 rpm
<b>SUSPENSION:</b>	
Front: Oil Type / Level / Quantity	10 wt. Fork Oil* / 169mm / 395cc
Gas or Air Pressure Min ~ Max / Standard	$\phi$ / $\phi$
Rear: Gas or Air Pressure Min ~ Max / Standard	$\phi$ / $\phi$
<b>TIRES: Size / Nominal Pressure: Front</b>	120/70 V17-V250 / 2.3 kg/cm <sup>2</sup> (33 psi)
Size / Nominal Pressure: Rear	150/80 V16-V250 / 2.5 kg/cm <sup>2</sup> (36 psi)
<b>BATTERY:</b>	
Model / Capacity	YB-14L / 12V 14AH
Specific Gravity / Charge Rate	1.280 / 1.4A
<b>IGNITION SYSTEM:</b>	Transistor Controlled (Digital)
Timing (BTDC)	5° @ 1000 rpm
Spark Plug / Gap	NGK DP8EA-9 or ND X24ERU9 / 0.8~0.9mm
<b>LIGHTING SYSTEM:</b>	
Headlight / Taillight / Turn Signal	12V-60-55W/12V-8W-27W/12V-27W-8W(F)/12V-27W(R)
<b>SERVICE LITERATURE:</b>	
Owner's Manual	LIT-11626-07-40
Service Manual	LIT-11616-06-94, Same as FJ1200W
Assembly Manual	LIT-11666-06-94, Same as FJ1200W
Consumer Information	LIT-11656-04-54

$\phi$  = Does not apply to this model  
NA = Information not available

\* = Available from YPAD  
e = For diagnostic use only

TORQUE VALUES				
APPLICATION	SIZE	m-kg	ft-lb	NOTES
Front Axle Nut	M14	7.8	56	
Front Fork Pinch Bolt	M8	2.0	14	
Rear Axle Nut	M18	15.0	110	
Rear Axle Pinch Bolt	$\phi$			
Clutch Nut	M20	7.0	50	
Drain Plug	M14	4.3	31	
Flywheel Nut	$\phi$			
Cylinder Head Cover	M6	1.0	7	
Cylinder Head: Nut	M10	3.5	25	
Engine Mounting Bolts: Front (Upper & Lower)	M10	5.5	40	
Front Stay	M8	2.8	20	
Rear Upper	M10	5.5	40	
Rear Lower	M12	9.0	65	
Pivot Shaft	M14	9.0	65	
Spark Plug		1.75	13	

<sup>1</sup> Use Lock Washer  
<sup>2</sup> Use Loctite®  
<sup>3</sup> Use Motor Oil  
<sup>4</sup> Use Motor Oil on Washers

<sup>5</sup> Stake  
<sup>6</sup> Left-Hand Threads  
 $\phi$  Does not apply to this model

TORQUE VALUES				
APPLICATION	SIZE	m-kg	ft-lb	NOTES
Front Axle Nut	M14	7.8	56	
Front Fork Pinch Bolt	M8	2.0	14	
Rear Axle Nut	M18	15.0	110	
Rear Axle Pinch Bolt	φ			
Clutch Nut	M20	7.0	50	
Drain Plug	M14	4.3	31	
Flywheel Nut	φ			
Cylinder Head Cover	M6	1.0	7	
Cylinder Head: Nut	M10	3.5	25	
Engine Mounting Bolts: Front (Upper & Lower)	M10	5.5	40	
Front Stay	M8	2.8	20	
Rear Upper	M10	5.5	40	
Rear Lower	M12	9.0	65	
Pivot Shaft	M14	9.0	65	
Spark Plug		1.75	13	

- <sup>1</sup> Use Lock Washer
- <sup>2</sup> Use Loctite<sup>®</sup>
- <sup>3</sup> Use Motor Oil
- <sup>4</sup> Use Motor Oil on Washers

- <sup>5</sup> Stake
- <sup>6</sup> Left-Hand Threads
- φ Does not apply to this model

PAGE 2 OF 2    ROUTE TO:  SERVICE    PARTS    WARRANTY    SALES