

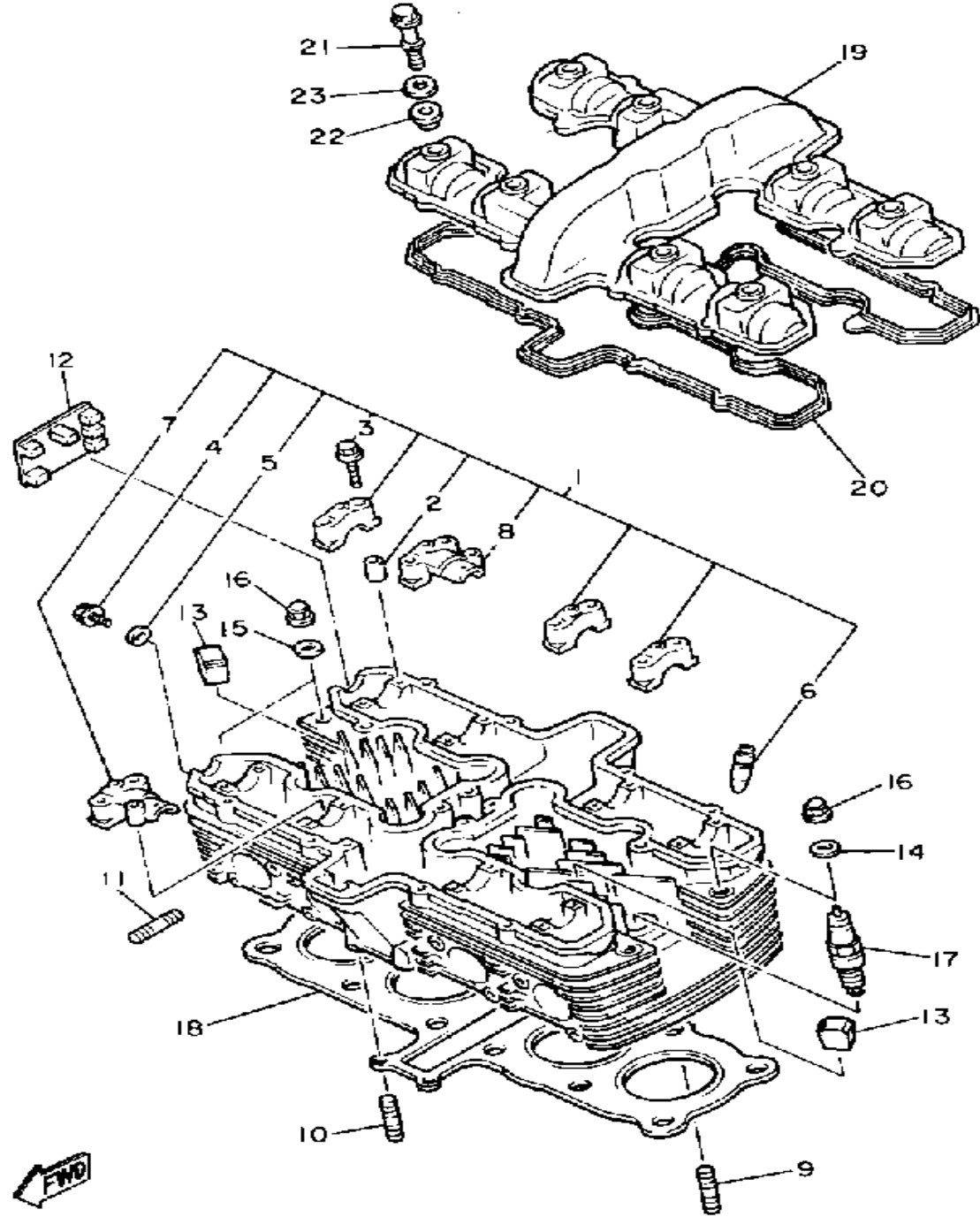
YAMAHA

GENUINE

PARTS CATALOGUE

MOTORCYCLE

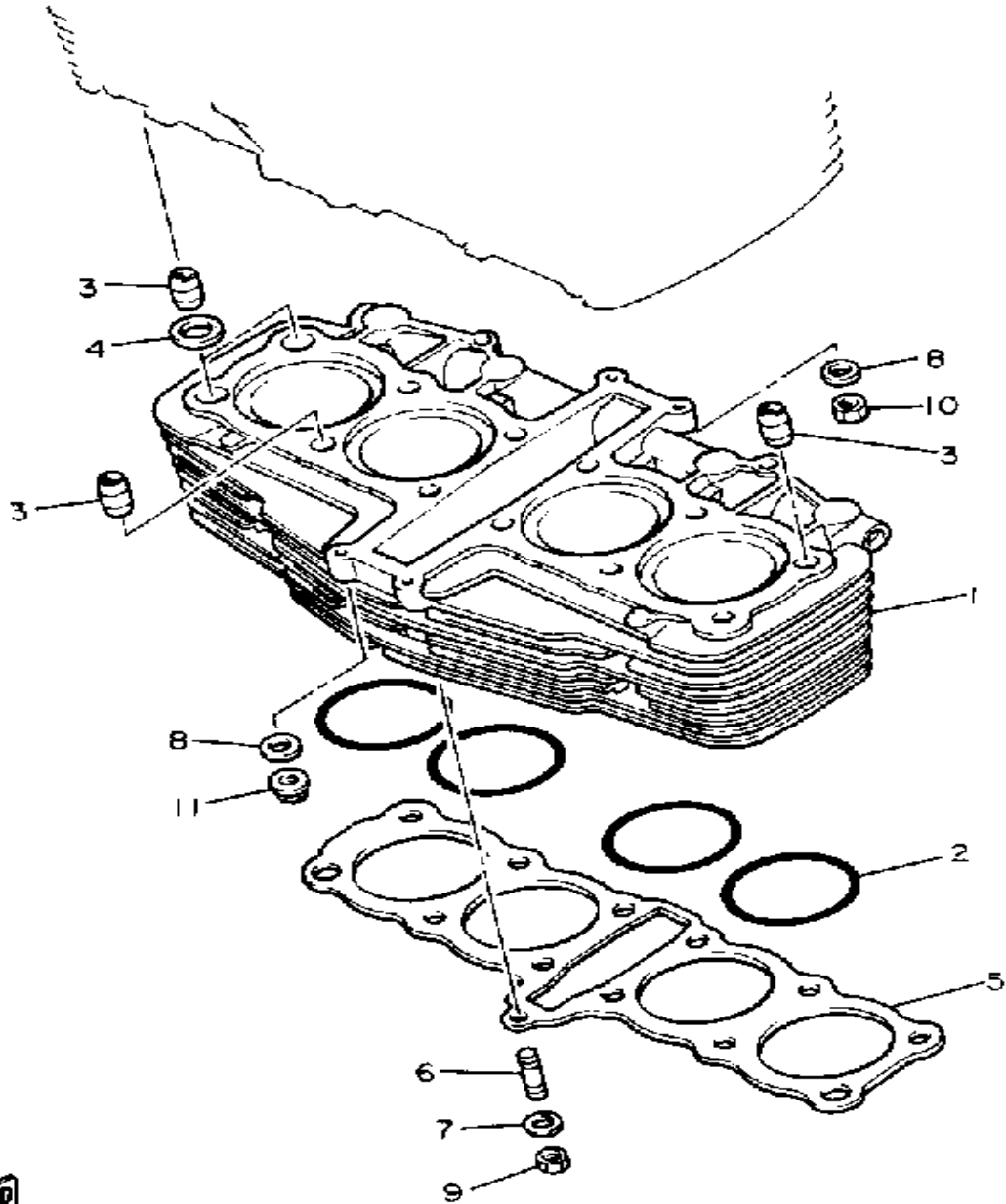
CYLINDER HEAD



3YA332-1010

| Ref. No. | Part Number | Description | Qty | Remarks |
|----------|-----------------|---|-----|---------|
| 1 | 36Y-11101-02-00 | CYLINDER HEAD ASSEMBLY | 1 | |
| 2 | 99510-08016-00 | . PIN, DOWEL | 16 | |
| 3 | 90105-06305-00 | . BOLT, WASHER BASED | 18 | |
| 4 | 90153-06045-00 | . SCREW, HEXAGON | 1 | |
| 5 | 90430-06014-00 | . GASKET | 1 | |
| 6 | 36Y-11133-10-00 | . GDE, INTK VLV 1 O/S | 16 | |
| 7 | 36Y-12193-10-00 | . CAP, CAMSHAFT 3 | 1 | |
| 8 | 36Y-12178-10-00 | . CAP, CAMSHAFT 4 | 1 | |
| 9 | 95612-06625-00 | BOLT, STUD | 2 | |
| 10 | 95611-06630-00 | BOLT, STUD | 2 | |
| 11 | 95611-08640-00 | BOLT, STUD | 8 | |
| 12 | 3XW-11161-00-00 | ABSORBER 1 | 1 | |
| 13 | 434-11161-00-00 | ABSORBER 1 | 16 | |
| 14 | 90201-102G9-00 | WASHER, PLATE | 10 | |
| 15 | 90201-10128-00 | WASHER, PLATE | 2 | |
| 16 | 90176-10070-00 | NUT, CROWN (3XW) | 12 | |
| 17 | NGK-DP8EA-90-00 | PLUG, SPARK (NGK DP8EA-9) | 4 | |
| 18 | 1TX-11181-00-00 | GASKET, CYLINDER HEAD 1CYLINDER HEAD 1 | 1 | |
| 19 | 36Y-11191-01-00 | COVER, CYLINDER.HEAD 1 | 1 | |
| 20 | 36Y-11193-00-00 | GASKET, HD.COVER 1 | 1 | |
| 21 | 90109-064F0-00 | BOLT | 8 | |
| 22 | 2GH-1111G-00-00 | RUBBER, MOUNT 1 | 8 | |
| 23 | 90209-11262-00 | WASHER | 8 | |

CYLINDER

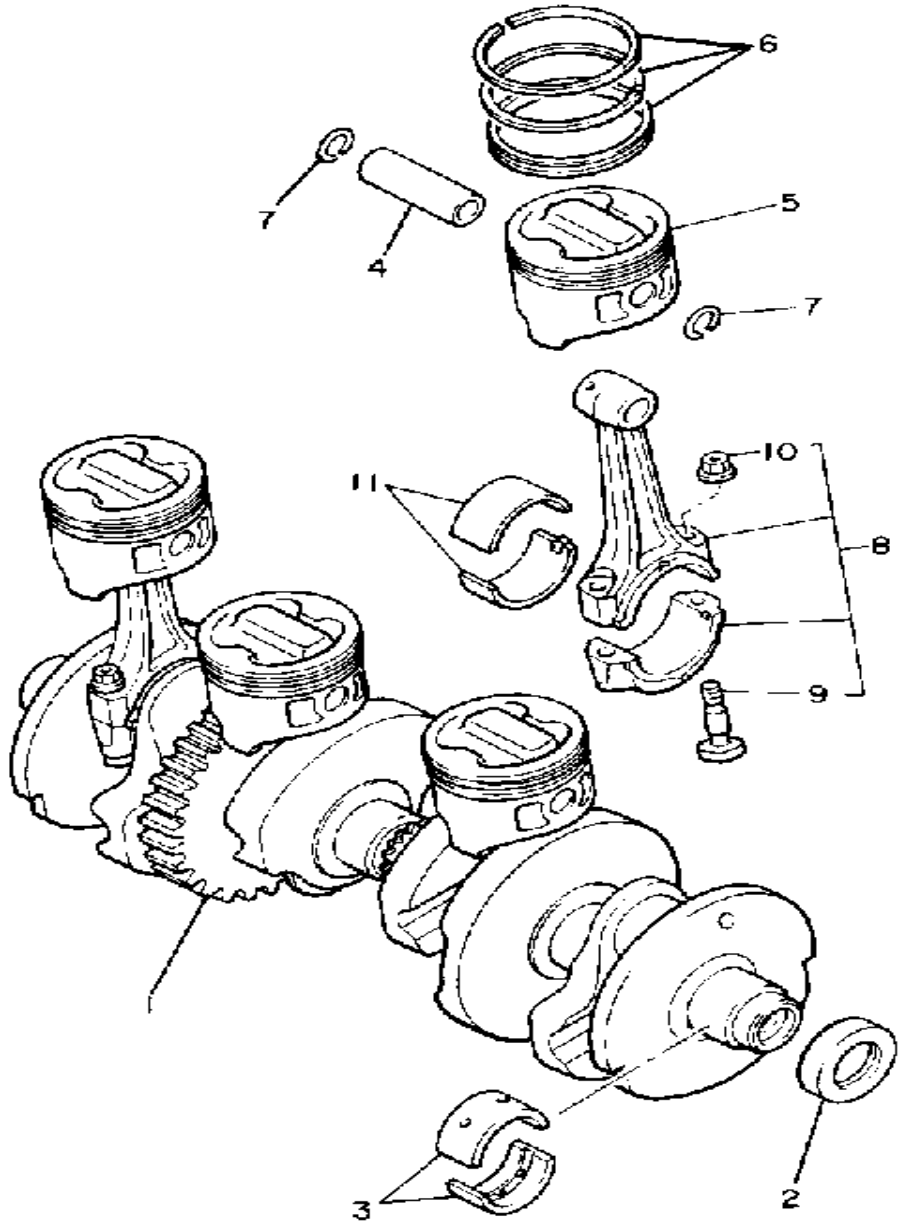


| Ref. No. | Part Number | Description | Qty | Remarks |
|----------|-----------------|------------------------|-----|---------|
| 1 | 1TX-11310-00-00 | CYLINDER | 1 | |
| 2 | 93210-81731-00 | O-RING | 4 | |
| 3 | 99530-14016-00 | PIN, DOWEL | 4 | |
| 4 | 90430-14131-00 | GASKET | 2 | |
| 5 | 4CR-11351-00-00 | GASKET, CYLINDER | 1 | |
| 6 | 95611-08330-00 | BOLT, STUD | 1 | |
| 7 | 90201-084G3-00 | WASHER, PLATE | 1 | |
| 8 | 92901-06600-00 | WASHER | 4 | |
| 9 | 95333-08600-00 | NUT | 1 | |
| 10 | 95311-06600-00 | NUT | 2 | |
| 11 | 90179-06499-00 | NUT | 2 | |



36Y310-4020

CRANKSHAFT - PISTON

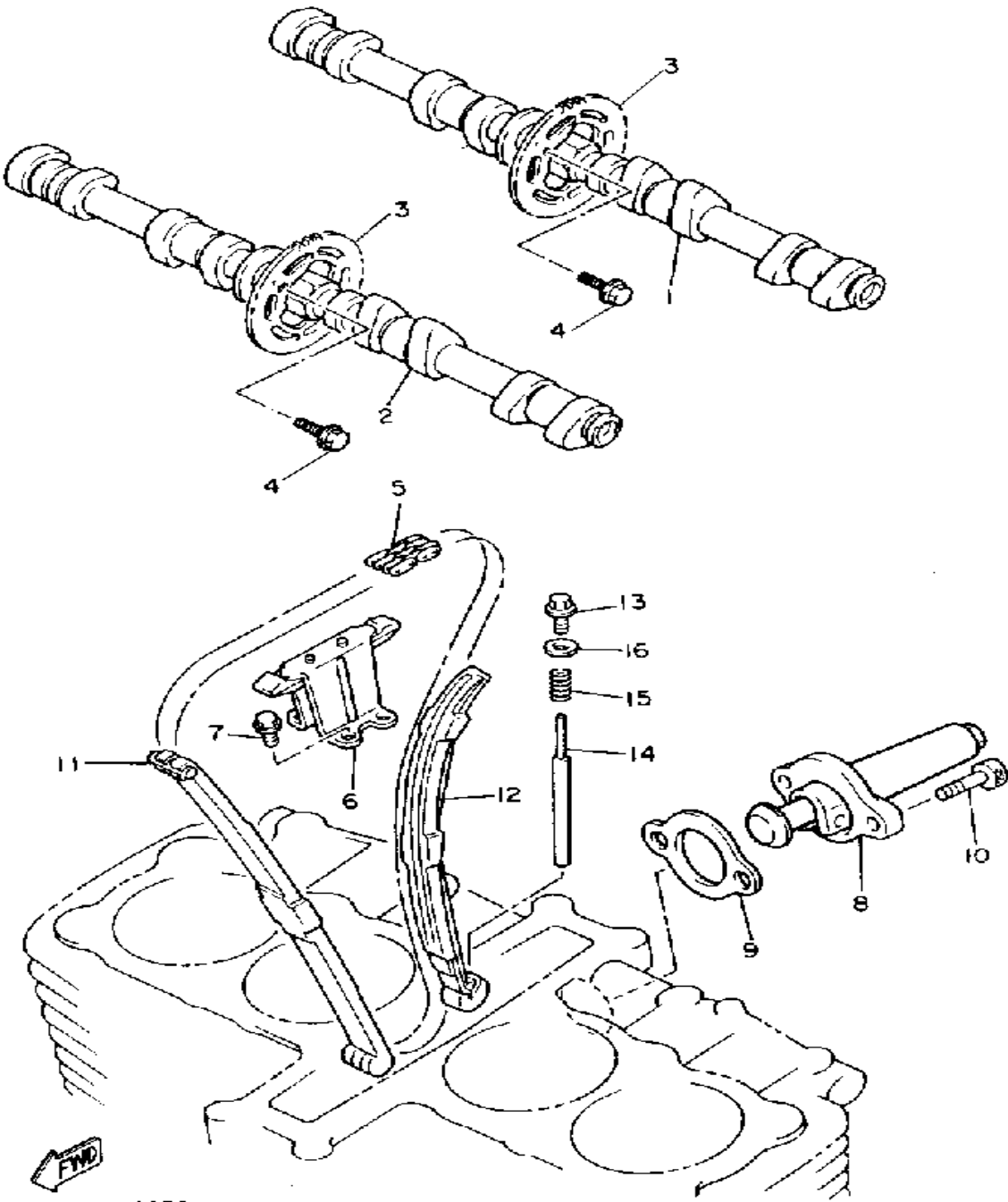


| Ref. No. | Part Number | Description | Qty | Remarks |
|----------|-----------------|--------------------------------------|-----|-----------|
| 1 | 36Y-11411-01-00 | CRANKSHAFT (36Y-11411-01-00) | 1 | |
| 2 | 36Y-15389-09-00 | OIL SEAL | 1 | |
| 3 | 2H7-11416-01-00 | PLANE BRNG, CRSF 1CRANKSHAFT 1 | 10 | |
| | 2H7-11416-11-00 | PLANE BRNG, CRSF 1CRANKSHAFT 1 | 10 | UR BLACK |
| | 2H7-11416-21-00 | PLANE BRNG, CRSF 1CRANKSHAFT 1 | 10 | UR BROWN |
| | 2H7-11416-31-00 | PLANE BRNG, CRSF 1CRANKSHAFT 1 | 10 | UR GREEN |
| | 2H7-11416-41-00 | PLANE BRNG, CRSF 1CRANKSHAFT 1 | 10 | UR YELLOW |
| 4 | 30X-11633-03-00 | PIN, PISTON | 4 | |
| 5 | 1TX-11631-00-A0 | PISTON STD | 4 | |
| | 1TX-11636-00-00 | PISTON 2 O/S 0.0 | 4 | AP |
| 6 | 1TX-11610-00-00 | PISTON RING SET | 4 | |
| | 1TX-11610-20-00 | PISTON RING SET (0.50MM O/S) | 4 | AP |
| 7 | 93450-19052-00 | CIRCLIP | 8 | |
| 8 | 36Y-11650-00-00 | CONNECTING ROD ASSEMBLY | 4 | |
| 9 | 36Y-11654-00-00 | . BOLT, CONNECTING ROD | 2 | |
| 10 | 90179-08327-00 | . NUT | 2 | |
| 11 | 36Y-11656-00-00 | PLANE BRNG, CON RODCONNECTING ROD | 8 | UR PINK |
| | 36Y-11656-10-00 | PLANE BRNG, CON RODCONNECTING ROD | 8 | UR BLUE |
| | 36Y-11656-20-00 | PLANE BRNG, CON RODCONNECTING ROD | 8 | UR BLACK |
| | 36Y-11656-30-00 | PLANE BRNG, CON RODCONNECTING ROD | 8 | U BROWN |



36Y310-4030

CAMSHAFT - CHAIN



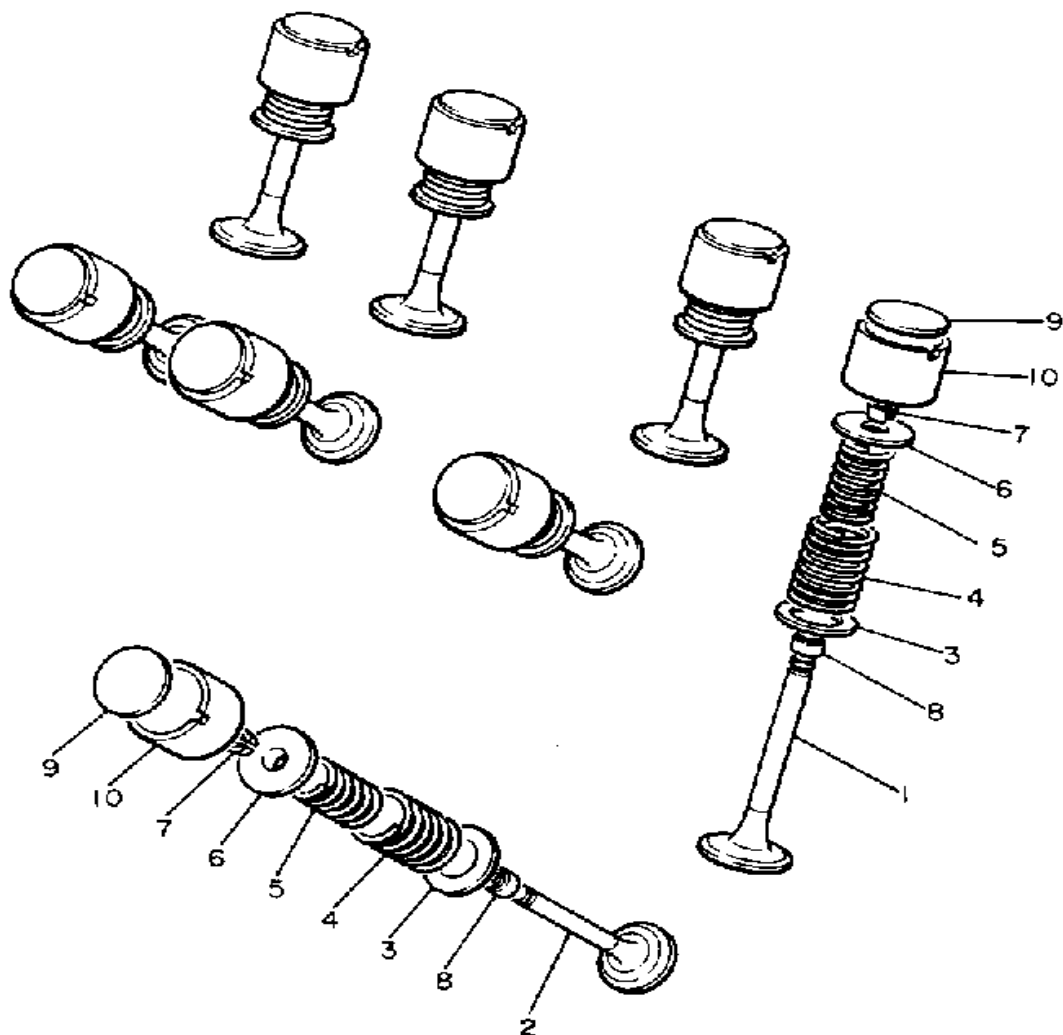
3CV1310-8050

| Ref. No. | Part Number | Description | Qty | Remarks |
|----------|-----------------|---|-----|---------|
| 1 | 47M-12171-00-00 | CAMSHAFT 1 | 1 | |
| 2 | 47M-12181-00-00 | CAMSHAFT 2 | 1 | |
| 3 | 36Y-12176-00-00 | SPROCKET, CAM CHAIN | 2 | |
| 4 | 90105-07087-00 | BOLT, WASHER BASED | 4 | |
| 5 | 94591-05156-00 | CHAIN, CAM | 1 | |
| 6 | 36Y-12241-01-00 | GUIDE, STOPPER 2 | 1 | |
| 7 | 90105-06424-00 | BOLT, WASHER BASED | 4 | |
| 8 | 1TX-12210-00-00 | TENSNR ASSEMBLY, CAM CHNCAM CHAIN | 1 | |
| 9 | 4BE-12213-00-00 | GASKET, TENSIONER CASE .. | 1 | |
| 10 | 91316-06025-00 | BOLT | 2 | |
| 11 | 36Y-12251-00-00 | DAMPER, CHAIN 1 | 1 | |
| 12 | 36Y-12252-03-00 | DAMPER, CHAIN 2 | 1 | |
| 13 | 90340-10108-00 | PLUG, STRAIGHT SCRW | 1 | |
| 14 | 90249-04184-00 | PIN, SPEC"L SHAPE | 1 | |
| 15 | 90501-153A2-00 | SPRING, COMPRESSION | 1 | |
| 16 | 90201-10118-00 | WASHER, PLATE | 1 | |

VALVE

| Ref. No. | Part Number | Description | Qty | Remarks |
|----------|-------------|-------------|-----|---------|
|----------|-------------|-------------|-----|---------|

| | | | | |
|---|-----------------|-----------------------------|----|----|
| 1 | 36Y-12111-00-00 | VALVE, INTAKE | 8 | |
| 2 | 36Y-12121-00-00 | VALVE, EXHAUST | 8 | |
| 3 | 26H-12116-00-00 | SEAT, VALVE SPRING | 16 | |
| 4 | 36Y-12114-00-00 | SPRING, VALVE OUTER | 16 | |
| 5 | 36Y-12113-00-00 | SPRING, VALVE INNER | 16 | |
| 6 | 30X-12117-00-00 | RETAINER, VALVE SPRING .. | 16 | |
| 7 | 30X-12118-00-00 | COTTER, VALVE | 32 | |
| 8 | 51Y-12119-00-00 | SEAL, VALVE STEM | 16 | |
| 9 | 26H-12168-00-00 | PAD, ADJUSTING (2.00) | 16 | UR |
| | 26H-12168-20-00 | PAD, ADJUSTING (2.05) | 16 | UR |
| | 26H-12168-40-00 | PAD, ADJUSTING (2.10) | 16 | UR |
| | 26H-12168-60-00 | PAD, ADJUSTING (2.15) | 16 | UR |
| | 26H-12168-80-00 | PAD, ADJUSTING (2.20) | 16 | UR |
| | 26H-12168-A0-00 | PAD, ADJUSTING (2.25) | 16 | UR |
| | 26H-12168-F0-00 | PAD, ADJUSTING (2.30) | 16 | UR |
| | 26H-12168-H0-00 | PAD, ADJUSTING (2.35) | 16 | UR |
| | 26H-12168-K0-00 | PAD, ADJUSTING (2.40) | 16 | UR |
| | 26H-12168-M0-00 | PAD, ADJUSTING (2.45) | 16 | UR |
| | 26H-12168-R0-00 | PAD, ADJUSTING (2.50) | 16 | UR |
| | 26H-12168-U0-00 | PAD, ADJUSTING (2.55) | 16 | UR |
| | 26H-12168-W0-00 | PAD, ADJUSTING (2.60) | 16 | UR |
| | 26H-12168-Y0-00 | PAD, ADJUSTING (2.65) | 16 | UR |
| | 26H-12169-10-00 | PAD, ADJUSTING (2.70) | 16 | UR |
| | 26H-12169-30-00 | PAD, ADJUSTING (2.75) | 16 | UR |
| | 26H-12169-50-00 | PAD, ADJUSTING (2.80) | 16 | UR |
| | 26H-12169-70-00 | PAD, ADJUSTING (2.85) | 16 | UR |
| | 26H-12169-90-00 | PAD, ADJUSTING (2.90) | 16 | UR |
| | 26H-12169-E0-00 | PAD, ADJUSTING (2.95) | 16 | UR |
| | 26H-12169-G0-00 | PAD, ADJUSTING (3.00) | 16 | UR |

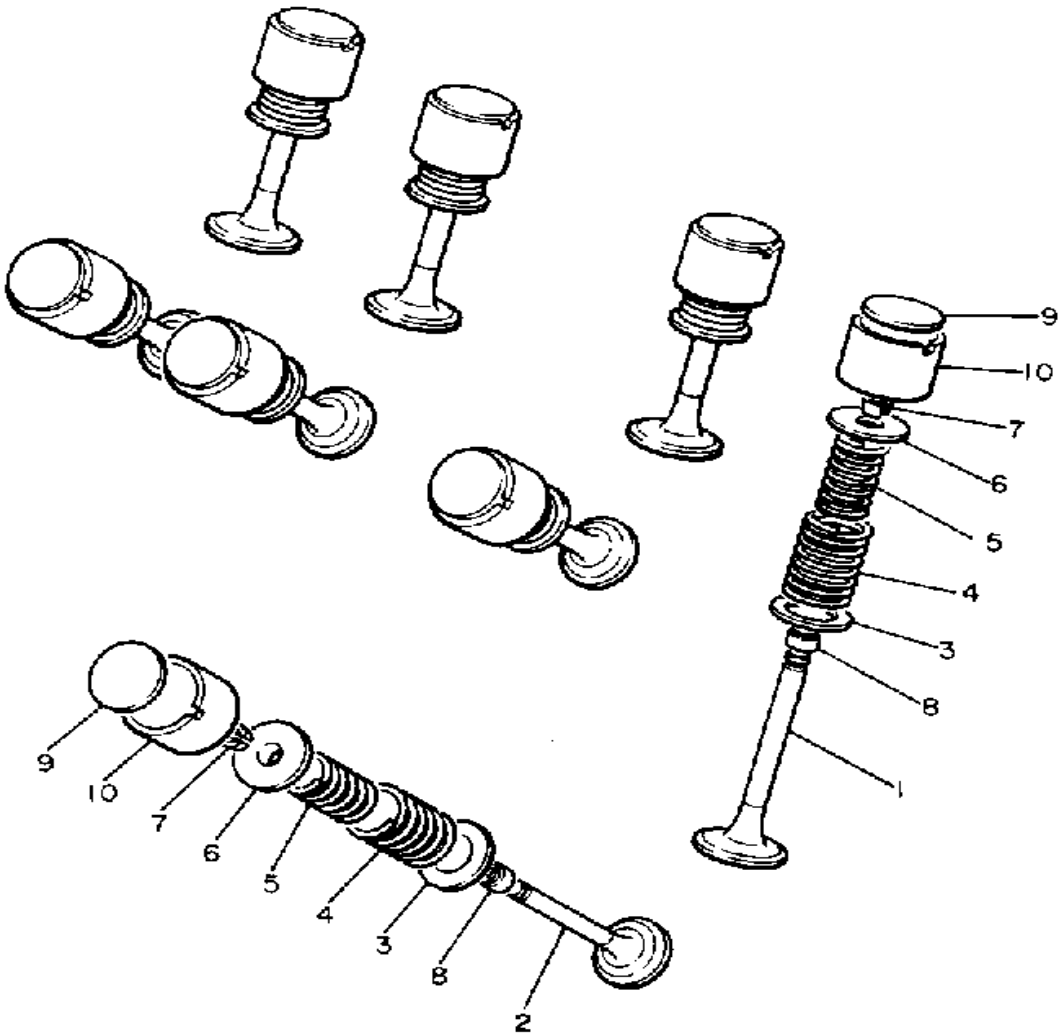


4H7110-0050

CONTINUED ON NEXT FRAME ►

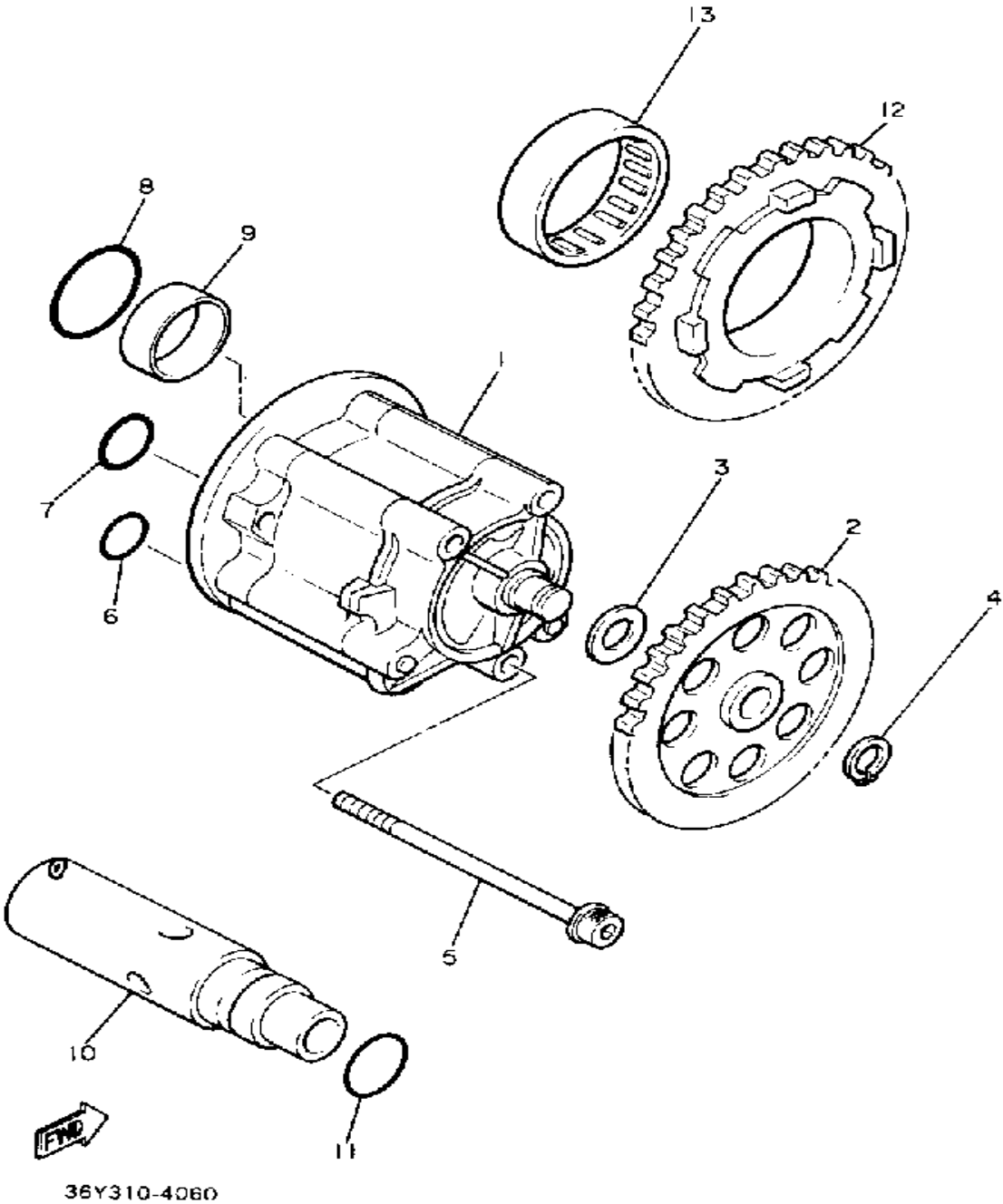
VALVE

| Ref. No. | Part Number | Description | Qty | Remarks |
|----------|-----------------|-----------------------|-----|---------|
| 9 | 26H-12169-J0-00 | PAD, ADJUSTING (3.05) | 16 | UR |
| | 26H-12169-L0-00 | PAD, ADJUSTING (3.10) | 16 | UR |
| | 26H-12169-N0-00 | PAD, ADJUSTING (3.15) | 16 | UR |
| | 26H-12169-T0-00 | PAD, ADJUSTING (3.20) | 16 | UR |
| 10 | 26H-12153-00-J0 | LIFTER, VALVE (O/S) | 16 | UR |
| | 26H-12153-00-Y0 | LIFTER, VALVE | 16 | UR |



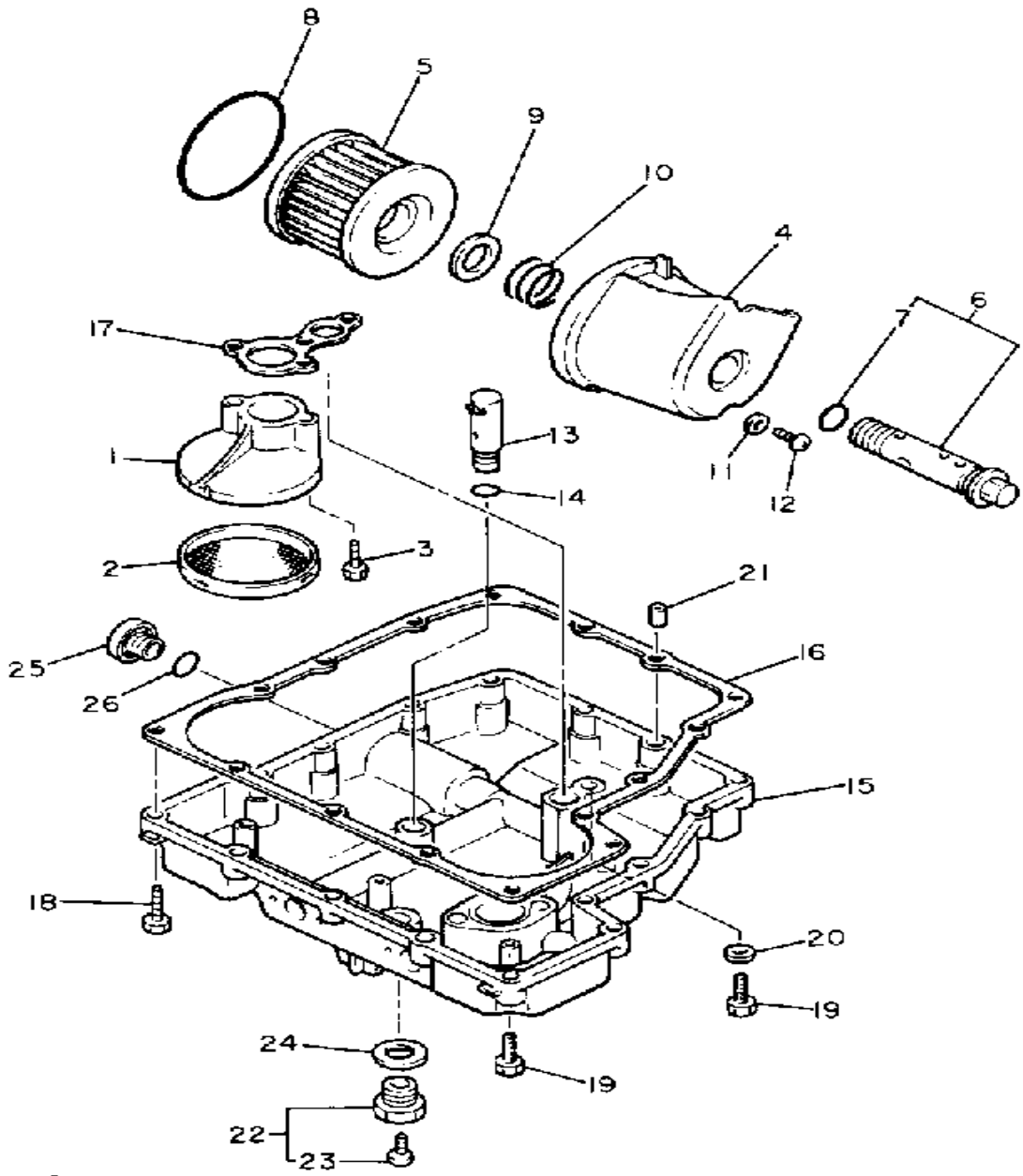

4H7110-0050

OIL PUMP



| Ref. No. | Part Number | Description | Qty | Remarks |
|----------|-----------------|---------------------------|-----|---------|
| 1 | 3CV-13300-00-00 | OIL PUMP ASSEMBLY | 1 | |
| 2 | 36Y-13325-00-00 | GEAR, PUMP DRIVEN | 1 | |
| 3 | 90201-106H7-00 | WASHER, PLATE | 1 | |
| 4 | 93440-09139-00 | CIRCLIP, OUTER | 1 | |
| 5 | 95811-06080-00 | BOLT, FLANGE | 3 | |
| 6 | 93210-13657-00 | O-RING | 1 | |
| 7 | 93210-15566-00 | O-RING | 1 | |
| 8 | 93210-26658-00 | O-RING | 1 | |
| 9 | 93626-08210-00 | PIN, DOWEL (36Y) | 1 | |
| 10 | 36Y-13490-00-00 | RELIEF VALVE ASSEMBLY ... | 1 | |
| 11 | 93210-15566-00 | O-RING | 1 | |
| 12 | 36Y-13324-00-00 | GEAR, PUMP DRIVE | 1 | |
| 13 | 93315-23612-00 | BEARING | 1 | |

OIL FILTER

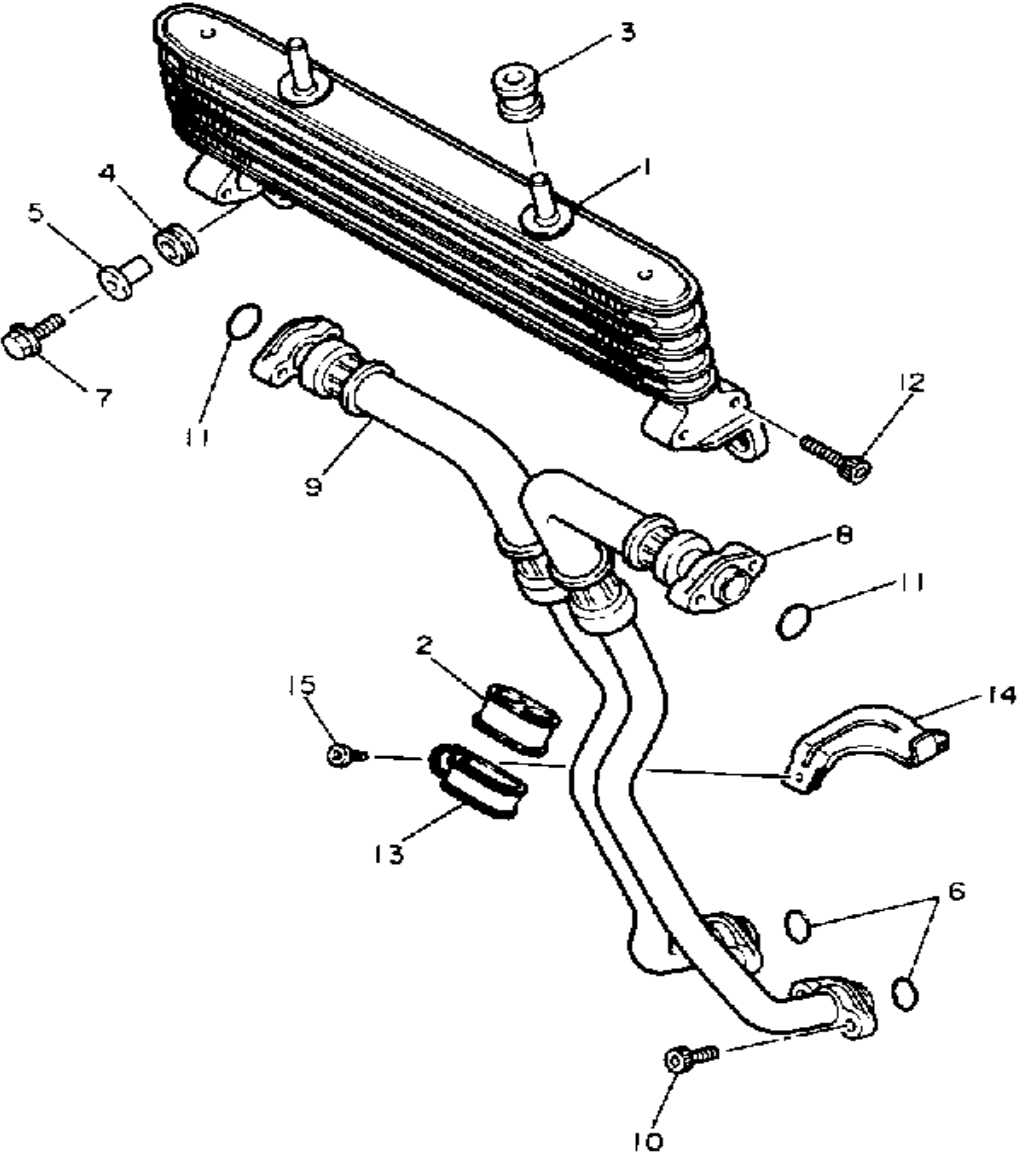


| Ref. No. | Part Number | Description | Qty | Remarks |
|----------|-----------------|--------------------------------------|-----|---------|
| 1 | 36Y-13412-00-00 | HOUSING, STRAINER | 1 | |
| 2 | 4H7-13411-02-00 | STRAINER, OIL | 1 | |
| 3 | 91316-06020-00 | BOLT, SOCKET HEAD | 2 | |
| 4 | 36Y-13447-01-00 | COVER, OIL ELEMENT | 1 | |
| 5 | 36Y-13441-00-00 | ELEMENT, OIL CLNR | 1 | |
| 6 | 36Y-13340-00-00 | BY-PASS VALVE ASSEMBLY | 1 | |
| 7 | 93210-16629-00 | O-RING | 1 | |
| 8 | 93210-87723-00 | O-RING | 1 | |
| 9 | 90201-21608-00 | WASHER, PLATE | 1 | |
| 10 | 90501-20422-00 | SPRING, COMPRESSION | 1 | |
| 11 | 90430-05126-00 | GASKET | 1 | |
| 12 | 90149-05110-00 | SCREW | 1 | |
| 13 | 25G-13490-00-00 | RELIEF VALVE ASSEMBLY | 1 | |
| 14 | 93210-10096-00 | O-RING | 1 | |
| 15 | 36Y-13417-02-00 | COVER, STRAINER | 1 | |
| 16 | 4CR-13414-00-00 | GASKET, STRNR COVERSTRAINER COVER | 1 | |
| 17 | 36Y-13415-00-00 | SEAL, OIL STRAINER | 1 | |
| 18 | 91316-06025-00 | BOLT | 14 | |
| 19 | 91316-06035-00 | BOLT | 3 | |
| 20 | 90430-06014-00 | GASKET | 1 | |
| 21 | 99510-08016-00 | PIN, DOWEL | 2 | |
| 22 | 3VD-13455-00-00 | PLUG | 1 | |
| 23 | 98901-06008-00 | SCREW, BIND | 1 | |
| 24 | 214-11198-01-00 | GASKET | 1 | |
| 25 | 36Y-15189-00-00 | PLUG | 1 | |
| 26 | 93210-16629-00 | O-RING | 1 | |



36Y310-4080

OIL COOLER

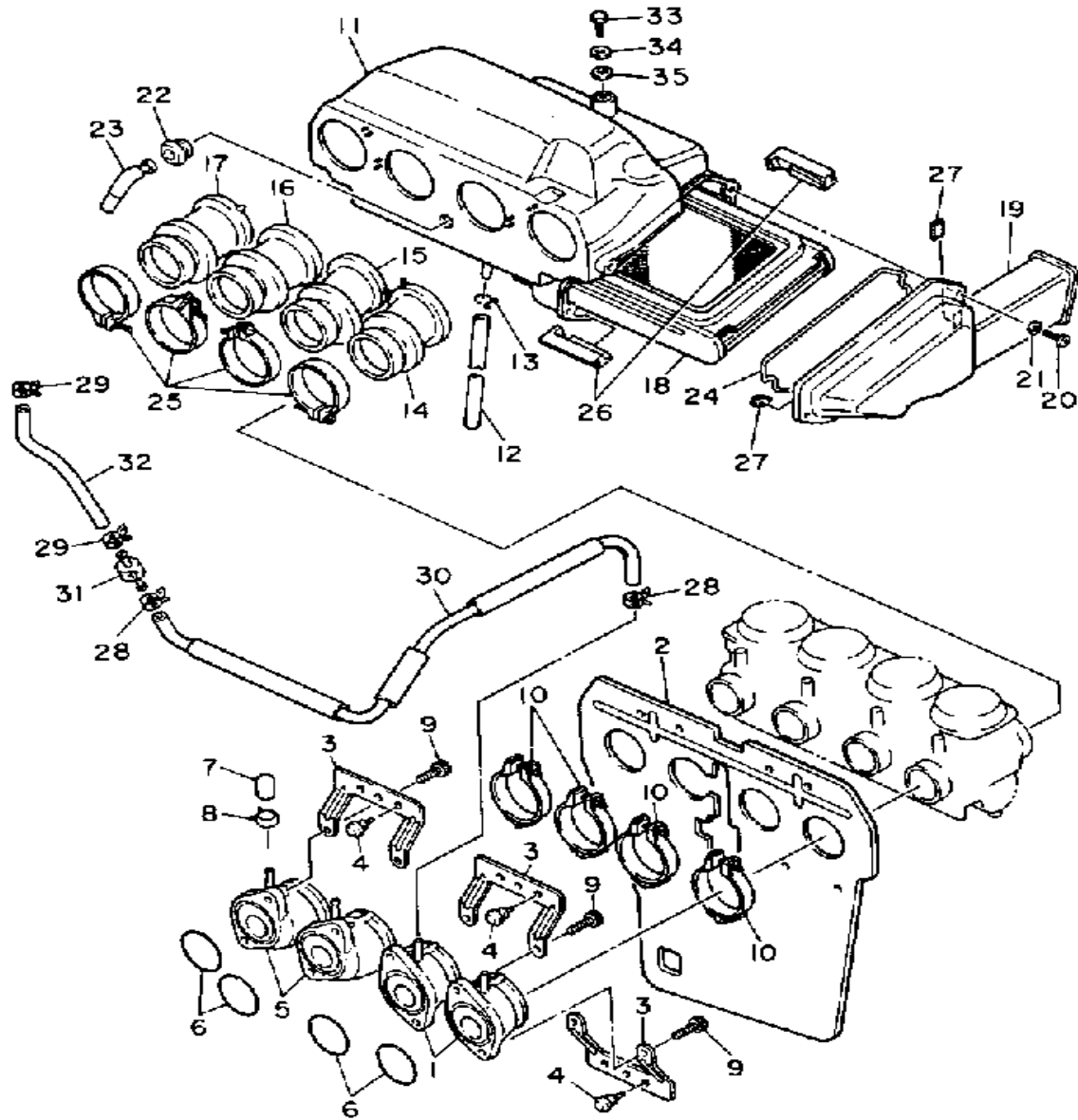


| Ref. No. | Part Number | Description | Qty | Remarks |
|----------|-----------------|-------------------------------|-----|---------|
| 1 | 3XW-13470-00-00 | OIL COOLER ASSEMBLY | 1 | |
| 2 | 3XW-13159-00-00 | DAMPER | 1 | |
| 3 | 90480-16284-00 | GROMMET | 2 | |
| 4 | 90480-12475-00 | GROMMET | 2 | |
| 5 | 90387-067K8-00 | COLLAR | 2 | |
| 6 | 93210-13657-00 | O-RING | 2 | |
| 7 | 95826-06020-00 | BOLT, flange (95806-06020-00) | 2 | |
| 8 | 3XW-13464-00-00 | HOSE, OIL 1 | 1 | |
| 9 | 3XW-13465-00-00 | HOSE, OIL 2 | 1 | |
| 10 | 91316-06020-00 | BOLT, SOCKET HEAD | 4 | |
| 11 | 93210-16629-00 | O-RING | 2 | |
| 12 | 91316-06040-00 | BOLT, SOCKET HEAD | 4 | |
| 13 | 3XW-13151-00-00 | STAY | 1 | |
| 14 | 3XW-13152-00-00 | STAY 2 | 1 | |
| 15 | 91316-06016-00 | BOLT, SOCKET HEAD | 1 | |



3YA332-1070

AIR FILTER (NON-CALIFORNIA MODEL)

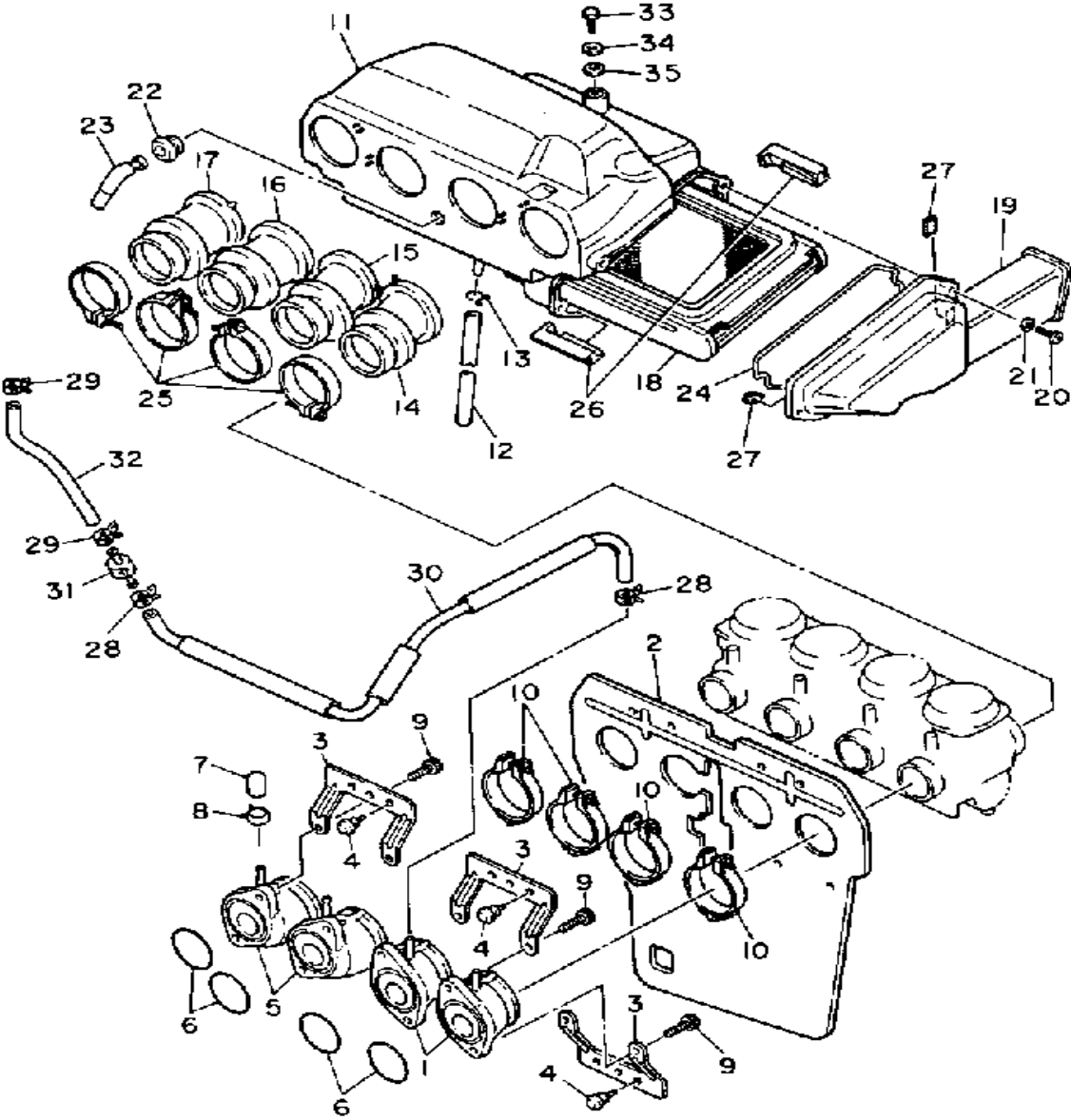


4AH110-1090

| Ref. No. | Part Number | Description | Qty | Remarks |
|----------|-----------------|------------------------------|-----|---------|
| 1 | 36Y-13586-00-00 | JOINT, CARBURETOR 1 | 2 | |
| 2 | 3XW-12682-00-00 | HEAT PROTECTOR 1 | 1 | |
| 3 | 36Y-12637-00-00 | STAY 1 | 3 | |
| 4 | 90480-08395-00 | GROMMET | 6 | |
| 5 | 36Y-13596-00-00 | JOINT, CARBURETOR 2 | 2 | |
| 6 | 93210-40659-00 | O-RING | 4 | |
| 7 | 16G-13569-00-00 | PLUG, BLIND | 3 | |
| 8 | 90467-10039-00 | CLIP | 3 | |
| 9 | 91316-06020-00 | BOLT, SOCKET HEAD | 8 | |
| 10 | 90460-52264-00 | CLAMP, HOSE (90460-52210-00) | 4 | |
| 11 | 3CV-14401-00-00 | AIR CLNR CASE ASSEMBLY | 1 | |
| 12 | 90445-11182-00 | HOSE | 1 | |
| 13 | 90467-09006-00 | CLIP | 1 | |
| 14 | 3XW-1440F-00-00 | JOINT, AIR FILTER 1 | 1 | |
| 15 | 3XW-14453-00-00 | JOINT, AIR CLNR 1 | 1 | |
| 16 | 3XW-14463-00-00 | JOINT, AIR CLNR 2 | 1 | |
| 17 | 3XW-1440G-00-00 | JOINT, AIR FILTER 2 | 1 | |
| 18 | 36Y-14451-00-00 | ELEMENT, AIR CLNR | 1 | |
| 19 | 3CV-14412-00-00 | CAP, CLEANER CASE 1 | 1 | |
| 20 | 98506-05020-00 | SCREW, PAN HEAD | 3 | |
| 21 | 92906-05600-00 | WASHER, PLATE | 3 | |
| 22 | 31A-14435-00-00 | GROMMET | 1 | |
| 23 | 31A-14419-00-00 | PIPE | 1 | |
| 24 | 5T0-14457-00-00 | SEAL | 1 | |
| 25 | 90460-58015-00 | CLAMP, HOSE | 4 | |
| 26 | 36Y-W1441-00-00 | AIR CLEANER CASE | 1 | |
| 27 | 36Y-14409-00-00 | DAMPER | 2 | |
| 28 | 90467-08092-00 | CLIP | 2 | |
| 29 | 90467-07093-00 | CLIP | 2 | |

CONTINUED ON NEXT FRAME ►

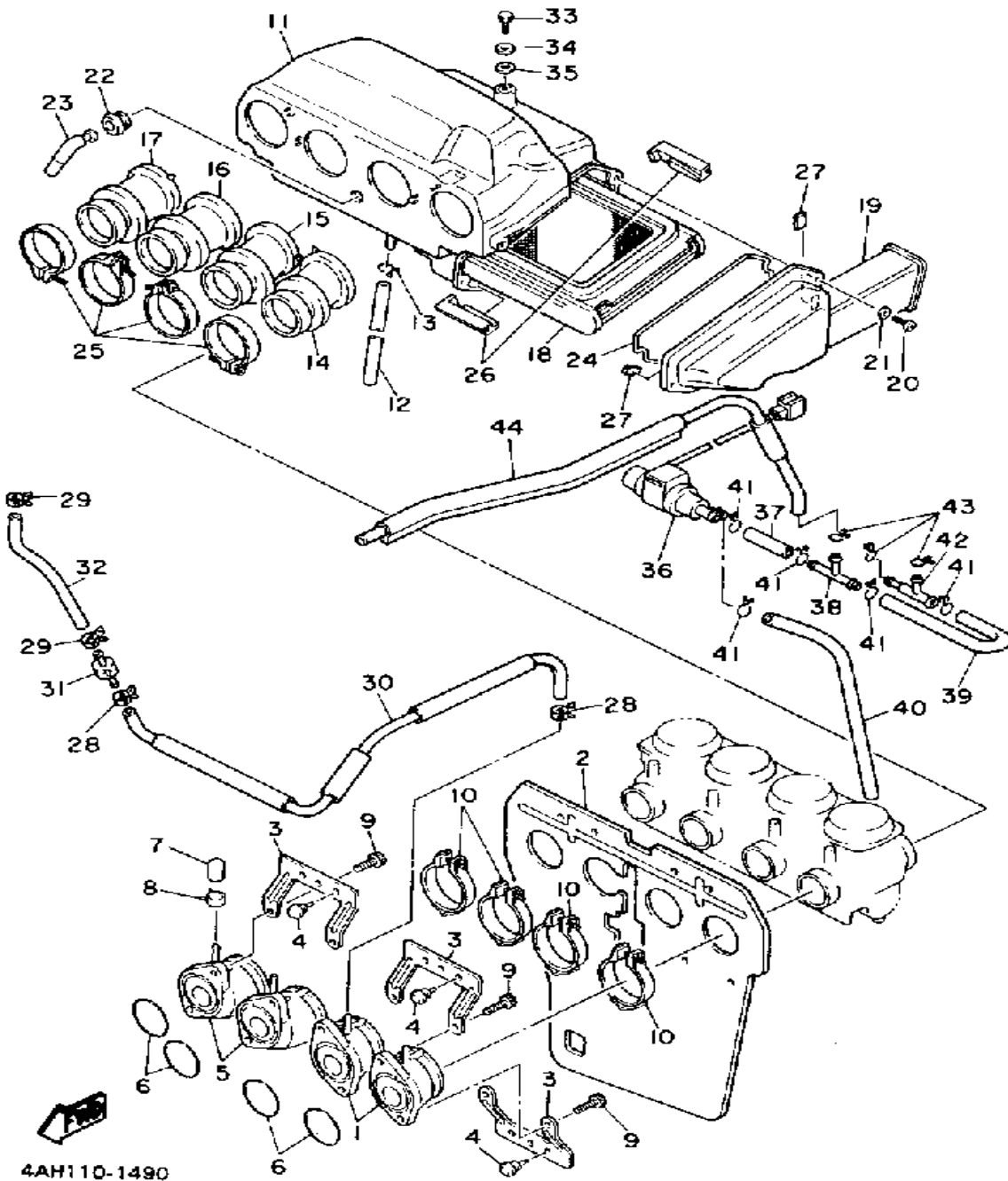
AIR FILTER (NON-CALIFORNIA MODEL)



| Ref. No. | Part Number | Description | Qty | Remarks |
|----------|-----------------|--------------------|-----|---------|
| 30 | 3SK-14872-00-00 | PIPE 2 | 1 | |
| 31 | 41R-14489-00-00 | NOZZLE | 1 | |
| 32 | 90445-08676-00 | HOSE (DV) | 1 | |
| 33 | 97026-06012-00 | BOLT | 3 | |
| 34 | 92906-06700-00 | WASHER, WAVE | 3 | |
| 35 | 92906-06600-00 | WASHER | 3 | |


4AH110-1090

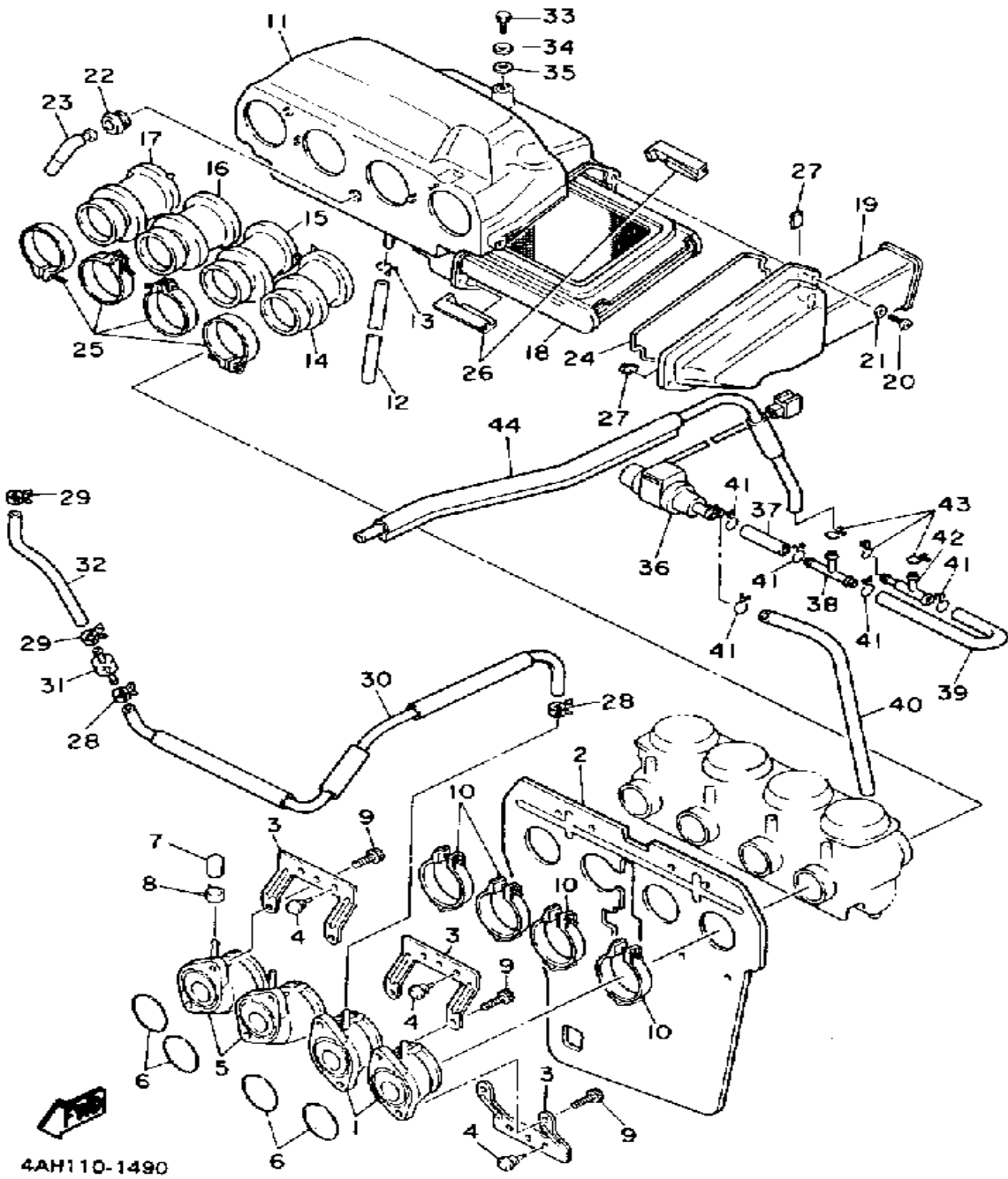
AIR FILTER (CALIFORNIA MODEL ONLY)



| Ref. No. | Part Number | Description | Qty | Remarks |
|----------|-----------------|------------------------------|-----|---------|
| 1 | 36Y-13586-00-00 | JOINT, CARBURETOR 1 | 2 | |
| 2 | 3XW-12682-00-00 | HEAT PROTECTOR 1 | 1 | |
| 3 | 36Y-12637-00-00 | STAY 1 | 3 | |
| 4 | 90480-08395-00 | GROMMET | 6 | |
| 5 | 36Y-13596-00-00 | JOINT, CARBURETOR 2 | 2 | |
| 6 | 93210-40659-00 | O-RING | 4 | |
| 7 | 16G-13569-00-00 | PLUG, BLIND | 3 | |
| 8 | 90467-10039-00 | CLIP | 3 | |
| 9 | 91316-06020-00 | BOLT, SOCKET HEAD | 8 | |
| 10 | 90460-52264-00 | CLAMP, HOSE (90460-52210-00) | 4 | |
| 11 | 3CV-14401-00-00 | AIR CLNR CASE ASSEMBLY | 1 | |
| 12 | 90445-11182-00 | HOSE | 1 | |
| 13 | 90467-09006-00 | CLIP | 1 | |
| 14 | 3XW-1440F-00-00 | JOINT, AIR FILTER 1 | 1 | |
| 15 | 3XW-14453-00-00 | JOINT, AIR CLNR 1 | 1 | |
| 16 | 3XW-14463-00-00 | JOINT, AIR CLNR 2 | 1 | |
| 17 | 3XW-1440G-00-00 | JOINT, AIR FILTER 2 | 1 | |
| 18 | 36Y-14451-00-00 | ELEMENT, AIR CLNR | 1 | |
| 19 | 3CV-14412-00-00 | CAP, CLEANER CASE 1 | 1 | |
| 20 | 98506-05020-00 | SCREW, PAN HEAD | 3 | |
| 21 | 92906-05600-00 | WASHER, PLATE | 3 | |
| 22 | 31A-14435-00-00 | GROMMET | 1 | |
| 23 | 31A-14419-00-00 | PIPE | 1 | |
| 24 | 5T0-14457-00-00 | SEAL | 1 | |
| 25 | 90460-58015-00 | CLAMP, HOSE | 4 | |
| 26 | 36Y-W1441-00-00 | AIR CLEANER CASE | 1 | |
| 27 | 36Y-14409-00-00 | DAMPER | 2 | |
| 28 | 90467-08092-00 | CLIP | 2 | |
| 29 | 90467-07093-00 | CLIP | 2 | |

CONTINUED ON NEXT FRAME ►

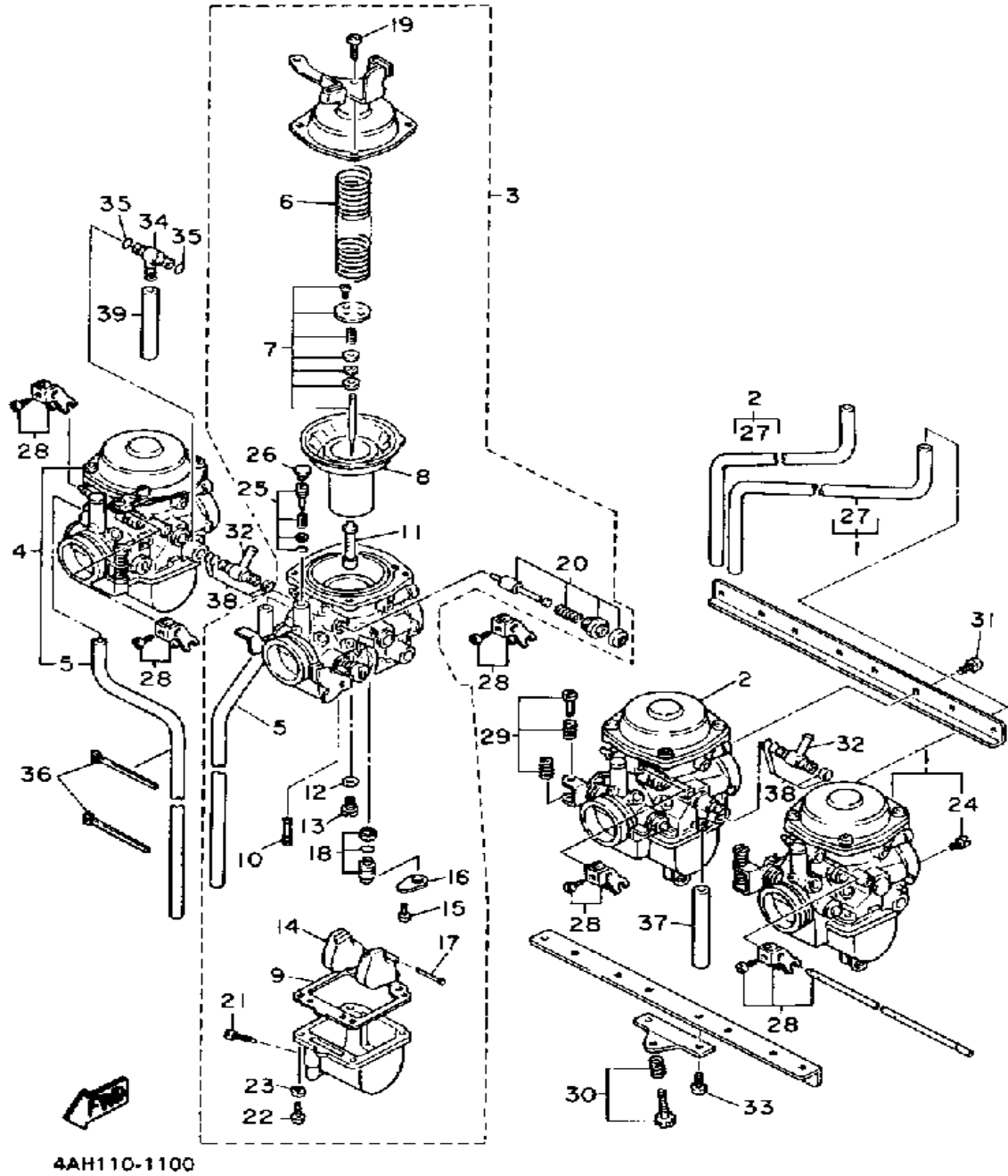
AIR FILTER (CALIFORNIA MODEL ONLY)



4AH110-1490

| Ref. No. | Part Number | Description | Qty | Remarks |
|----------|-------------------|---------------------------------|-----|---------|
| 30 | 3SK-14872-00-00 | PIPE 2 | 1 | |
| 31 | 41R-14489-00-00 | NOZZLE | 1 | |
| 32 | 90445-08676-00 | HOSE (DV) | 1 | |
| 33 | 97026-06012-00 | BOLT | 3 | |
| 34 | 92906-06700-00 | WASHER, WAVE | 3 | |
| 35 | 92906-06600-00 | WASHER | 3 | |
| 36 | 1WJ-14896-00-00 | VLV, OUT VENT CON 2CONTROL 2 | 1 | |
| 37 | 90445-136E2-00 | HOSE | 1 | |
| 38 | 90413-11028-00 | WAY 3 | 1 | |
| 39 | (1WJ-14872-00-00) | PIPE 2 | 1 | |
| 40 | 90445-136E3-00 | HOSE | 1 | |
| 41 | 90467-12052-00 | CLIP | 5 | |
| 42 | 90413-11027-00 | WAY 3 | 1 | |
| 43 | 90467-10008-00 | CLIP | 3 | |
| 44 | 1WJ-14871-00-00 | PIPE 1 | 1 | |

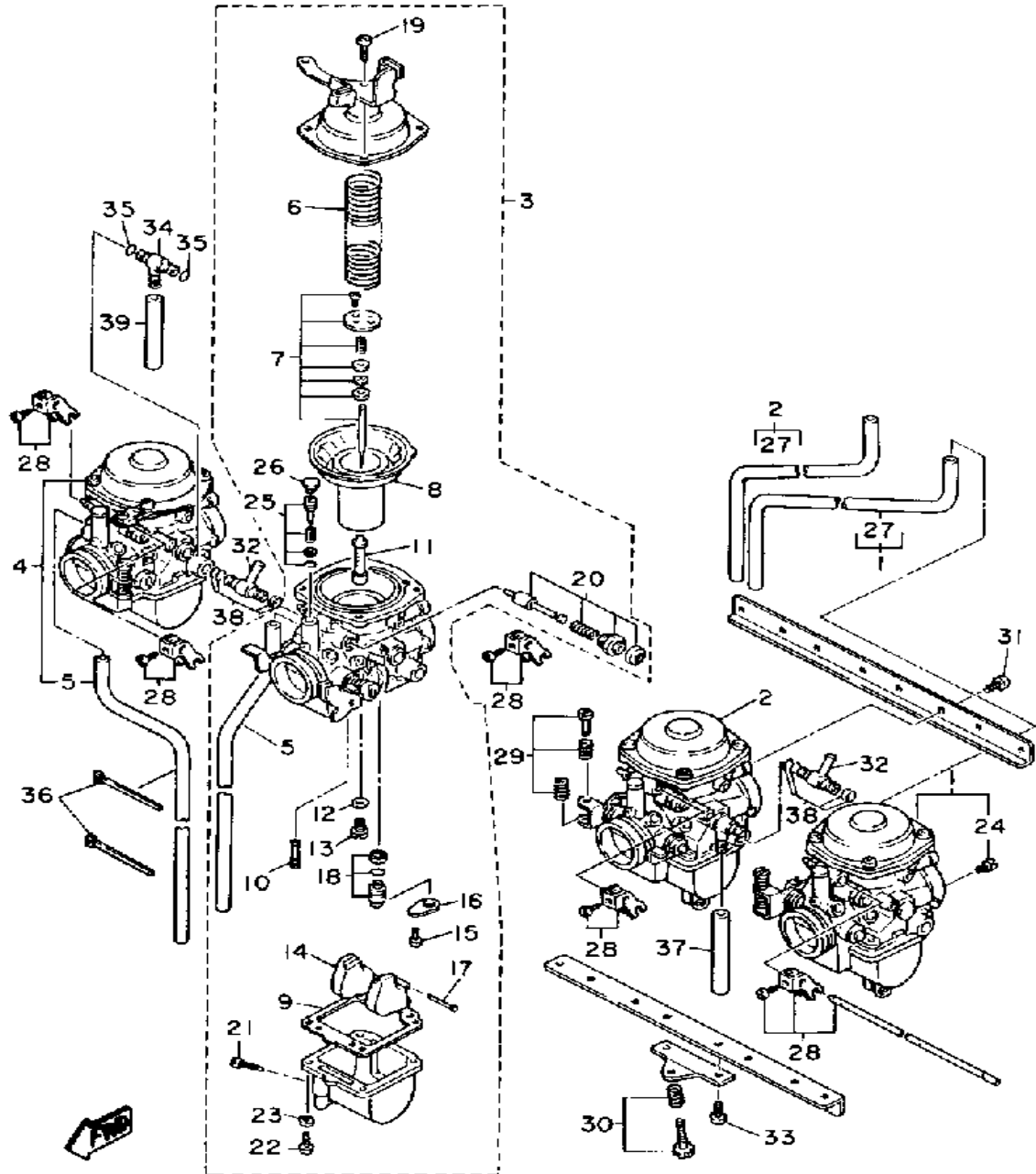
CARBURETOR



| Ref. No. | Part Number | Description | Qty | Remarks |
|----------|-----------------|---|-----|---------|
| 1 | 4AH-14901-00-00 | CARBURETOR ASSEMBLY 1 | 1 | UR |
| | 4AH-14901-10-00 | CARBURETOR ASSEMBLY 1 | 1 | UR |
| 2 | 4AH-14902-00-00 | CARBURETOR ASSEMBLY 2 | 1 | UR |
| | 4AH-14902-10-00 | CARBURETOR ASSEMBLY 2 | 1 | UR |
| 3 | 4AH-14903-00-00 | CARBURETOR ASSEMBLY 3 | 1 | UR |
| | 4AH-14903-10-00 | CARBURETOR ASSEMBLY 3 | 1 | UR |
| 4 | 4AH-14904-00-00 | CARBURETOR ASSEMBLY 4 | 1 | UR |
| | 4AH-14904-10-00 | CARBURETOR ASSEMBLY 4 | 1 | UR |
| 5 | 26H-14197-01-00 | . PIPE | 1 | |
| 6 | 3Y6-14933-00-00 | . SPRING, DIAPHRAGM | 1 | |
| 7 | 1TX-1490J-00-00 | . NEEDLE SET | 1 | |
| 8 | 50H-14940-00-00 | . DIAPHRAGM ASSEMBLY | 1 | |
| 9 | 3XW-14984-00-00 | . GASKET, FLOAT CHMBR | 1 | |
| 10 | 4G0-14142-37-A0 | . JET, PILOT #37.5 (4G0-14142-37-00) | 1 | |
| 11 | 50H-14941-92-00 | . NOZZLE MAIN | 1 | |
| 12 | 137-14153-00-00 | . WASHER, MAIN JET | 1 | |
| 13 | 620-14231-22-A0 | . JET, MAIN #110 (620-14231-22) | 1 | |
| 14 | 3H5-14985-00-00 | . FLOAT | 1 | |
| 15 | 98511-04006-00 | . SCREW, PAN HEAD (98501-04005) | 1 | |
| 16 | 2H0-14146-00-00 | . PLATE | 1 | |
| 17 | 537-14186-00-00 | . PIN, FLOAT | 1 | |
| 18 | 3CF-14107-15-00 | . NEEDLE VALVE SET | 1 | |
| 19 | 98580-05010-00 | . SCREW, PAN HEAD | 4 | |
| 20 | 36Y-1410A-00-00 | . STARTER SET | 1 | |
| 21 | 12R-14191-00-00 | . PLUG, DRAIN | 1 | |
| 22 | 98580-05016-00 | . SCREW, PAN HEAD | 1 | |
| 23 | 92990-05100-00 | . WASHER, SPRING | 4 | |

CONTINUED ON NEXT FRAME ►

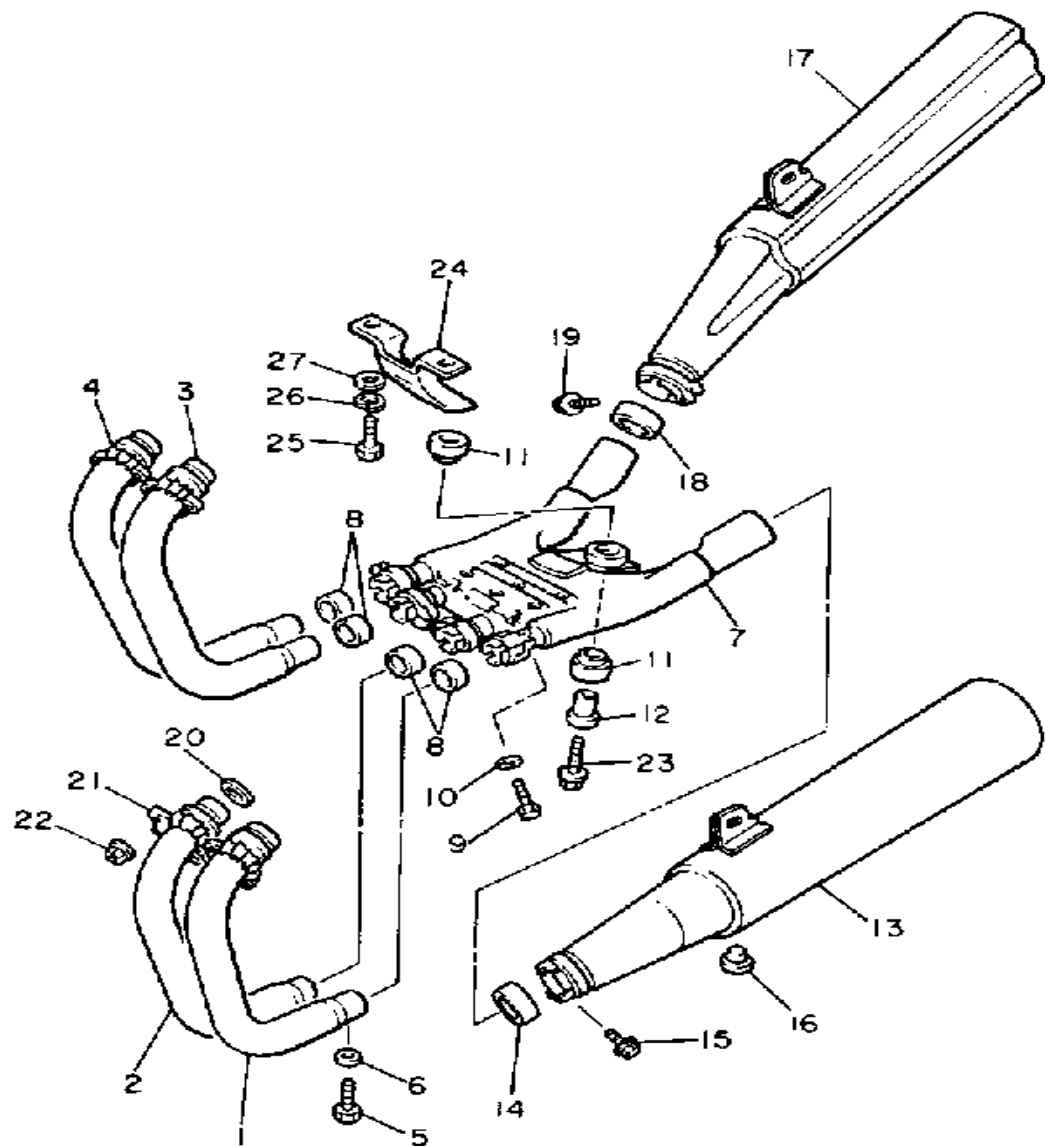
CARBURETOR



| Ref. No. | Part Number | Description | Qty | Remarks |
|----------|-------------------|-------------------------------|-----|---------|
| 24 | 3G2-14231-31-00 | . JET, MAIN (#155) | 1 | |
| 25 | 12R-14105-00-00 | . PILOT SCREW SET | 1 | |
| 26 | 3F9-14118-00-00 | . CAP | 1 | |
| 27 | 26H-14197-00-00 | . PIPE | 1 | |
| 28 | 36Y-1490L-00-00 | STARTER LEVER SET | 1 | |
| 29 | 36Y-1490K-00-00 | STOP SCREW SET | 3 | |
| 30 | 36Y-14103-00-00 | THROTTLE SCREW SET | 1 | |
| 31 | 98580-05010-00 | SCREW, PAN HEAD | 8 | |
| 32 | 16H-14988-00-00 | PIPE, STARTER CON | 2 | |
| 33 | 98503-06014-00 | SCREW, PAN HEAD (92502-06016) | 8 | |
| 34 | 17A-14251-00-00 | NIPPLE | 2 | |
| 35 | 822-14147-00-00 | O-RING | 4 | |
| 36 | 35H-14139-00-00 | CLIP, PIPE | 2 | |
| 37 | (50H-14987-00-00) | HOSE | 1 | UR |
| | 1WJ-14987-00-00 | HOSE | 1 | UR |
| 38 | 36Y-14147-00-00 | O-RING | 8 | |
| 39 | 1WJ-14197-00-00 | PIPE | 1 | UR |
| | 4G0-14197-00-00 | PIPE (2GH-14197-00-00) | 1 | UR |

4AH110-1100

EXHAUST

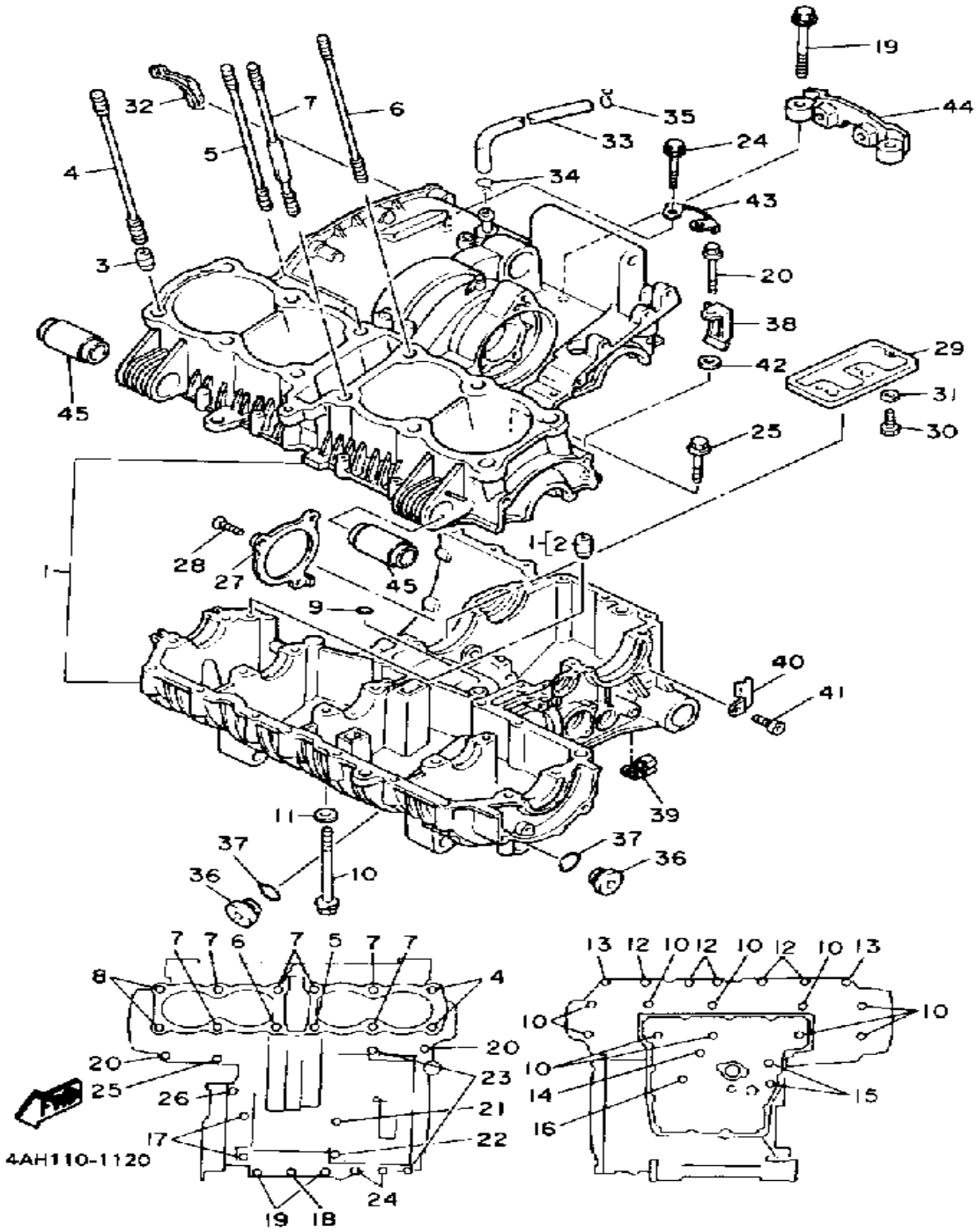


| Ref. No. | Part Number | Description | Qty | Remarks |
|----------|-----------------|----------------------------------|-----|---------|
| 1 | 1TX-14611-00-00 | PIPE, EXHAUST L | 1 | |
| 2 | 1TX-14621-00-00 | PIPE, EXHAUST R | 1 | |
| 3 | 1TX-14631-00-00 | PIPE, EXHAUST 3 | 1 | |
| 4 | 1TX-14641-00-00 | PIPE, EXHAUST 4 | 1 | |
| 5 | 90101-06576-00 | BOLT | 4 | |
| 6 | 92906-06600-00 | WASHER | 4 | |
| 7 | 1TX-14615-10-00 | JOINT, EXHAUST L | 1 | |
| 8 | 3XW-14755-00-00 | GASKET, SILENCER | 4 | |
| 9 | 97013-08025-00 | BOLT | 4 | |
| 10 | 92901-08600-00 | WASHER | 4 | |
| 11 | 36Y-14747-00-00 | DAMPER, MUFFLER | 2 | |
| 12 | 4G0-14638-00-00 | COLLAR | 1 | |
| 13 | 4AH-14711-00-00 | MUFFLER L | 1 | |
| 14 | 3XW-14714-00-00 | GASKET, MUFFLER | 1 | |
| 15 | 99999-01790-00 | BOLT, FLANGE (95026-08025-00) | 1 | |
| 16 | 371-27114-00-00 | STOPPER, MAIN STAND | 1 | |
| 17 | 4AH-14721-00-00 | MUFFLER R | 1 | |
| 18 | 3XW-14714-00-00 | GASKET, MUFFLER | 1 | |
| 19 | 99999-01790-00 | BOLT, FLANGE (95026-08025-00) | 1 | |
| 20 | 4BE-14613-00-00 | GASKET, EXHAUST PIPE | 4 | |
| 21 | 36Y-14612-00-00 | NUT, RING | 4 | |
| 22 | 95606-08200-00 | NUT, U | 8 | |
| 23 | 95811-10040-00 | BOLT, FLANGE (95801-10040) | 1 | |
| 24 | 36Y-14791-00-00 | STAY, MUFFLER | 1 | |
| 25 | 97011-08025-00 | BOLT | 2 | |
| 26 | 92990-08100-00 | WASHER | 2 | |
| 27 | 92901-08600-00 | WASHER | 2 | |



3YA332-1110

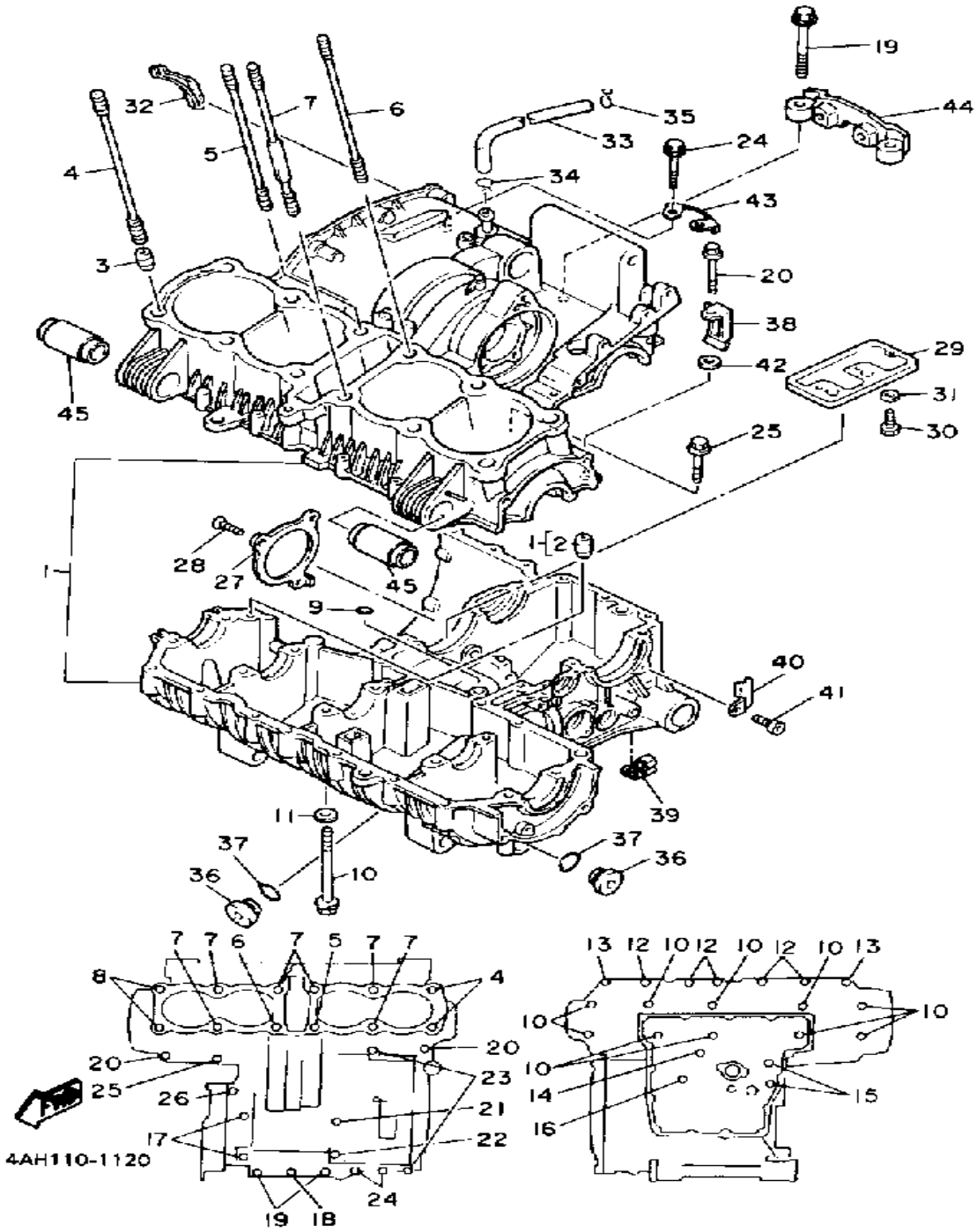
CRANKCASE



| Ref. No. | Part Number | Description | Qty | Remarks |
|----------|-----------------|---|-----|---------|
| 1 | 3XW-15100-01-00 | CRANKCASE ASSEMBLY | 1 | |
| 2 | 99510-12016-00 | . PIN, DOWEL | 2 | |
| 3 | 99530-14016-00 | PIN, DOWEL | 2 | |
| 4 | 90116-10563-00 | BOLT, STUD (3XW) | 2 | |
| 5 | 90116-10561-00 | BOLT, STUD (3XW) | 1 | |
| 6 | 90116-10562-00 | BOLT, STUD (3XW) | 1 | |
| 7 | 3XW-11363-00-00 | BOLT, CYLINDER HOLDING 3CYLINDER HOLDING 3 | 6 | |
| 8 | 3XW-11364-00-00 | BOLT, CYLINDER HOLDING 4CYLINDER HOLDING 4 | 2 | |
| 9 | 93210-07438-00 | O-RING | 1 | |
| 10 | 95816-08100-00 | BOLT, FLANGE | 10 | |
| 11 | 90201-094G1-00 | WASHER, PLATE | 7 | |
| 12 | 95816-08045-00 | BOLT, FLANGE | 5 | |
| 13 | 95816-10050-00 | BOLT, FLANGE | 2 | |
| 14 | 95816-06110-00 | BOLT, FLANGE | 1 | |
| 15 | 95816-06095-00 | BOLT, FLANGE | 2 | |
| 16 | 95816-06040-00 | BOLT | 1 | |
| 17 | 95816-08055-00 | BOLT, FLANGE (91006-08055-00) | 2 | |
| 18 | 95816-10060-00 | BOLT, FLANGE | 1 | |
| 19 | 95816-10075-00 | BOLT, FLANGE | 2 | |
| 20 | 95816-06050-00 | BOLT, FLANGE | 2 | |
| 21 | 95816-06125-00 | BOLT, FLANGE | 1 | |
| 22 | 95816-06070-00 | BOLT, FLANGE | 1 | |
| 23 | 95816-06065-00 | BOLT, FLANGE | 2 | |
| 24 | 95816-06055-00 | BOLT, FLANGE | 2 | |
| 25 | 95816-06040-00 | BOLT | 1 | |
| 26 | 95816-06030-00 | BOLT, FLANGE | 1 | |
| 27 | 36Y-15383-01-00 | PLATE, BRNG COVER | 1 | |

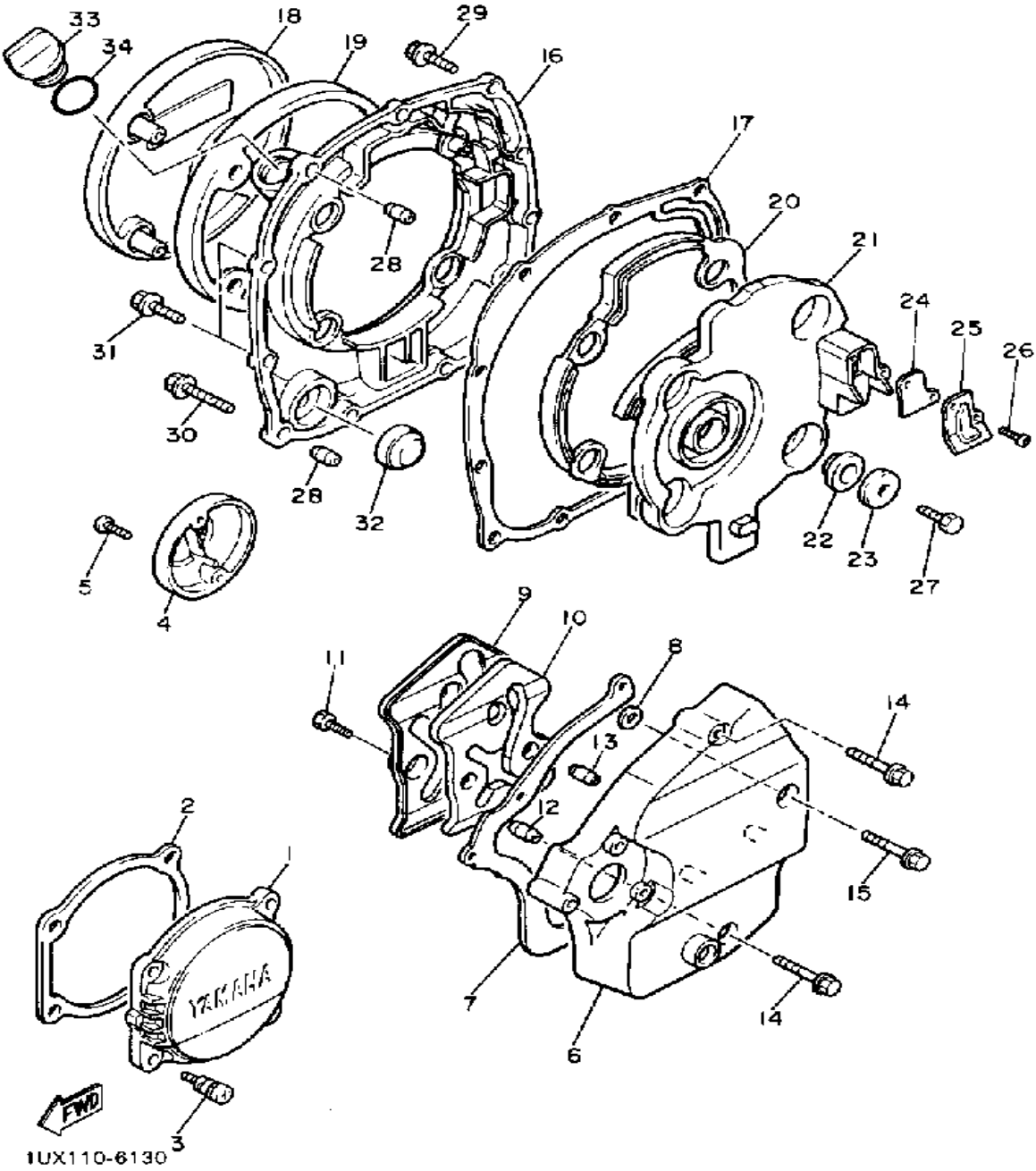
CONTINUED ON NEXT FRAME ►

CRANKCASE



| Ref. No. | Part Number | Description | Qty | Remarks |
|----------|------------------|--------------------|-----|---------|
| 28 | 90151-06025-00 | SCREW, COUNTERSUNK | 3 | |
| 29 | 36Y-15412-00-00 | COVER, OIL PUMP | 1 | |
| 30 | 97001-05010-00 | BOLT | 3 | |
| 31 | 92901-05600-00 | WASHER, PLATE | 3 | |
| 32 | 1TX-15365-00-00 | GROMMET | 1 | |
| 33 | 36Y-11166-00-00 | PIPE, BREATHER 1 | 1 | |
| 34 | 90467-14015-00 | CLIP | 1 | |
| 35 | 90467-14015-00 | CLIP | 1 | |
| 36 | 4H7-15189-00-00 | PLUG | 3 | |
| 37 | 93210-20573-00 | O-RING | 3 | |
| 38 | 90465-10251-00 | CLAMP | 1 | |
| 39 | (90465-08252-00) | CLAMP | 2 | |
| 40 | 90465-08253-00 | CLAMP | 1 | |
| 41 | 91316-06010-00 | BOLT, SOCKET HEAD | 1 | |
| 42 | 92906-06600-00 | WASHER | 1 | |
| 43 | 90462-10145-00 | CLAMP | 1 | |
| 44 | 3XW-15199-00-00 | BRACKET | 1 | |
| 45 | 90387-207W3-00 | COLLAR | 2 | |

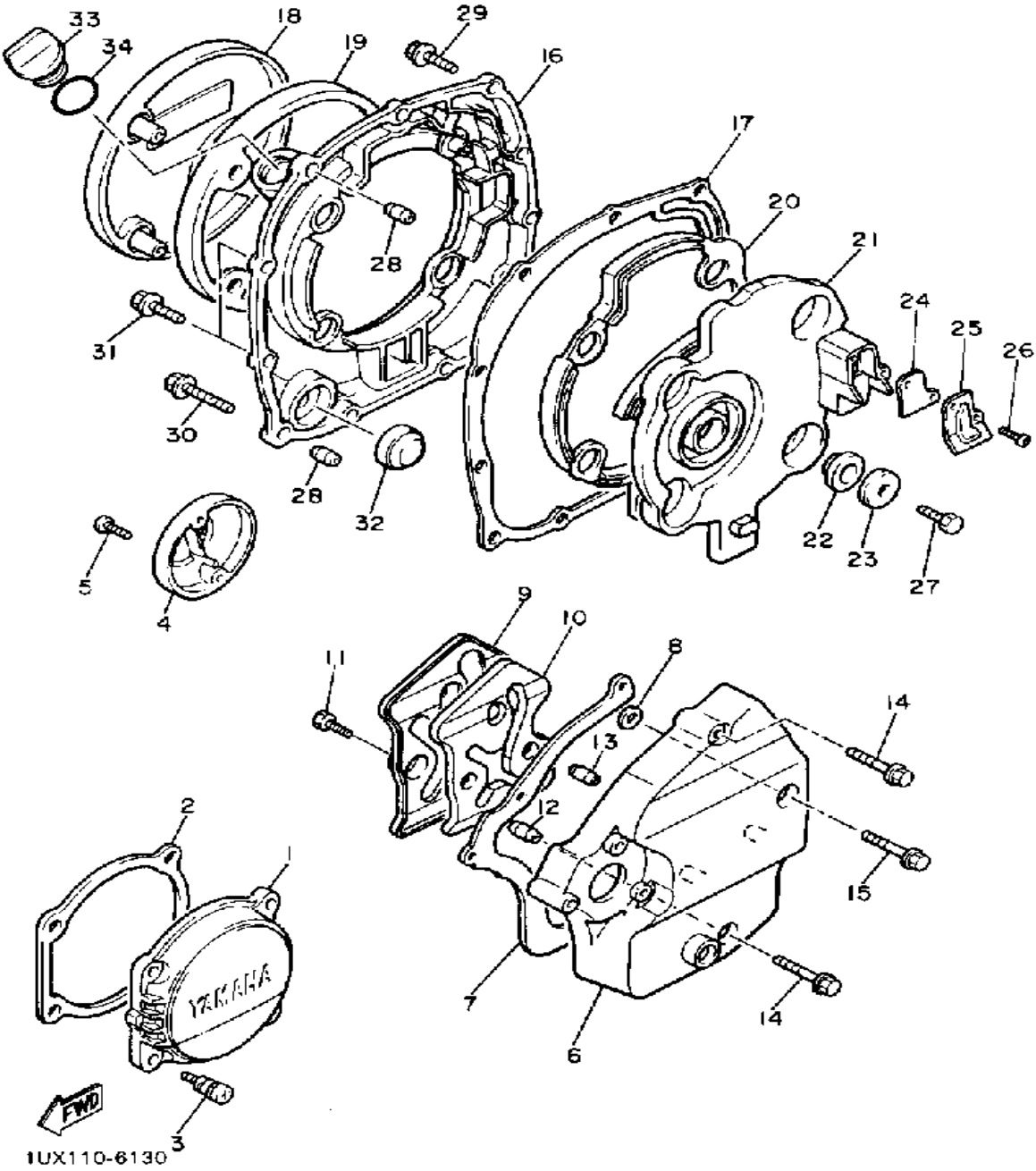
CRANKCASE COVER 1



| Ref. No. | Part Number | Description | Qty | Remarks |
|----------|-----------------|-------------------------------------|-----|---------|
| 1 | 36Y-15416-00-00 | COVER, OIL PUMP | 1 | |
| 2 | 33M-15449-00-00 | RING, RUBBER | 1 | |
| 3 | 33M-15481-10-00 | BOLT 1 | 4 | |
| 4 | 36Y-15426-00-00 | COVER, OIL PUMP R | 1 | |
| 5 | 90154-05026-00 | SCREW, BINDING | 2 | |
| 6 | 1TX-15411-01-00 | COVER, CRANKCASE L | 1 | |
| 7 | 4CR-15451-00-00 | GASKET, CRCS COVERCRANKCASE COVER 1 | 1 | |
| 8 | 4CR-15467-00-00 | GASKET | 1 | |
| 9 | 1TX-15427-00-00 | COVER, CAP 2 | 1 | |
| 10 | 1TX-15316-00-00 | DAMPER, ENG MOUNT 1 ENGINE MOUNT 1 | 1 | |
| 11 | 90153-06055-00 | SCREW, HEXAGON | 4 | |
| 12 | 99530-10014-00 | PIN, DOWEL | 1 | |
| 13 | 99510-08016-00 | PIN, DOWEL | 1 | |
| 14 | 95026-06040-00 | BOLT, FLANGE | 2 | |
| 15 | 95026-06050-00 | BOLT, FLANGE | 1 | |
| 16 | 3XW-W1543-00-00 | CRANKCASE COVER AS | 1 | |
| 17 | 4CR-15461-00-00 | GASKET, CRCS CVR 2CRANKCASE 2 | 1 | |
| 18 | 36Y-15417-01-00 | COVER, CAP | 1 | |
| 19 | 36Y-15449-00-00 | RING, RUBBER | 1 | |
| 20 | 1TX-15367-00-00 | GROMMET | 1 | |
| 21 | 1TX-15346-00-00 | BREATHER 1 | 1 | |
| 22 | 4H7-15486-00-00 | GROMMET | 4 | |
| 23 | 90209-06096-00 | WASHER | 4 | |
| 24 | 4CR-15374-00-00 | GASKET, BREATHER | 1 | |
| 25 | 1TX-15333-00-00 | COVER | 1 | |
| 26 | 90157-05095-00 | SCREW, PAN HEAD | 2 | |
| 27 | 91316-06012-00 | BOLT, SOCKET HEAD | 4 | |

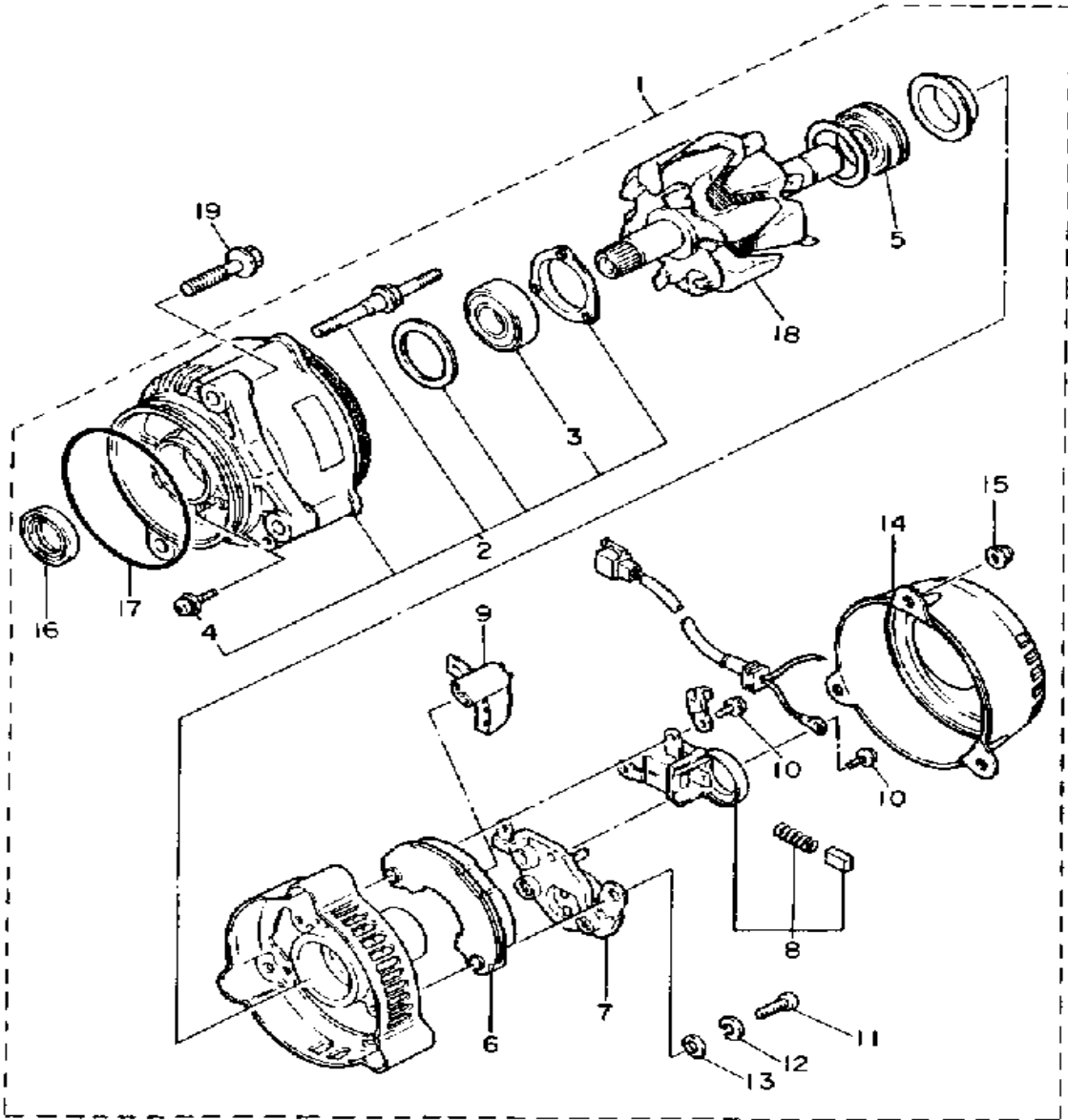
CONTINUED ON NEXT FRAME ►

CRANKCASE COVER 1



| Ref. No. | Part Number | Description | Qty | Remarks |
|----------|-----------------|-----------------|-----|---------|
| 28 | 99530-10014-00 | PIN, DOWEL | 2 | |
| 29 | 95026-06020-00 | BOLT, FLANGE | 7 | |
| 30 | 95026-06035-00 | BOLT, FLANGE | 2 | |
| 31 | 95026-06025-00 | BOLT, FLANGE | 2 | |
| 32 | 2H7-15361-00-00 | GAUGE, LEVEL | 1 | |
| 33 | 3F9-15362-00-00 | PLUG, OIL LEVEL | 1 | |
| 34 | 93210-27778-00 | O-RING | 1 | |

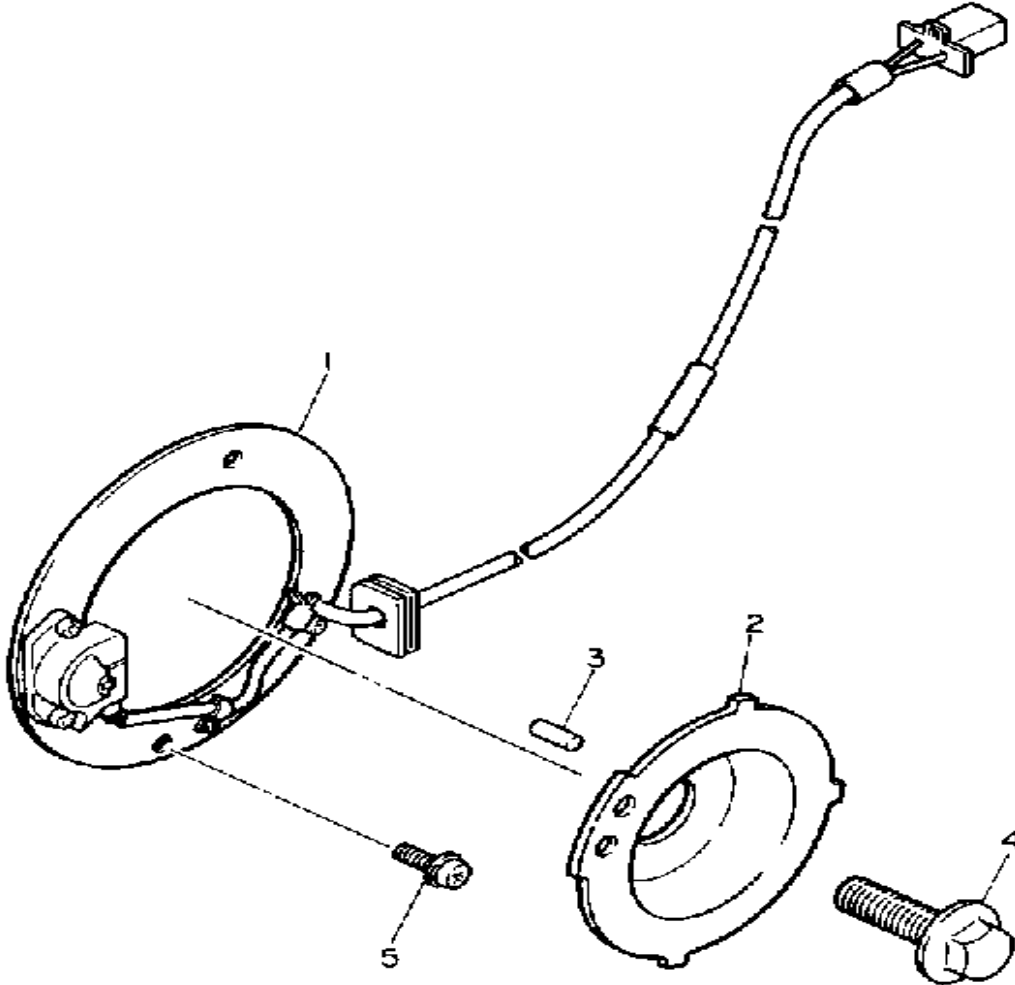
GENERATOR



| Ref. No. | Part Number | Description | Qty | Remarks |
|----------|-----------------|------------------------------------|-----|---------|
| 1 | 2GH-81600-55-00 | A.C. GENERATOR ASSEMBLY | 1 | |
| 2 | 2GH-81634-00-00 | . STATOR ASSEMBLY | 1 | |
| 3 | 36Y-81643-30-00 | .. BEARING | 1 | |
| 4 | 2KT-81645-50-00 | .. SCREW | 3 | |
| 5 | 36Y-81643-50-00 | . BEARING | 1 | |
| 6 | 36Y-81970-50-00 | . RECTIFIER ASSEMBLY | 1 | |
| 7 | 36Y-81910-50-00 | . VOLTAGE REGULATOR ASSEMBLY | 1 | |
| 8 | 3FV-81619-00-00 | . BRUSH HOLDER ASSEMBLY | 1 | |
| 9 | 36Y-81972-50-00 | . COVER, RECTIFIER | 1 | |
| 10 | 3FV-81645-00-00 | . SCREW | 2 | |
| 11 | 98501-05018-00 | . SCREW, PAN HEAD | 3 | |
| 12 | 92990-05100-00 | . WASHER, SPRING | 3 | |
| 13 | 92901-05600-00 | . WASHER, PLATE | 3 | |
| 14 | 2GH-81604-00-00 | . COVER ASSEMBLY | 1 | |
| 15 | 3FV-81675-00-00 | . NUT | 3 | |
| 16 | 36Y-81638-50-00 | . OIL SEAL | 1 | |
| 17 | 2KT-81642-50-00 | . O-RING | 1 | |
| 18 | 2GH-81660-52-00 | . ROTOR ASSEMBLY | 1 | |
| 19 | 95816-08030-00 | BOLT, FLANGE | 3 | |

FWD
3LE332-9400

PICK UP COIL - GOVERNOR

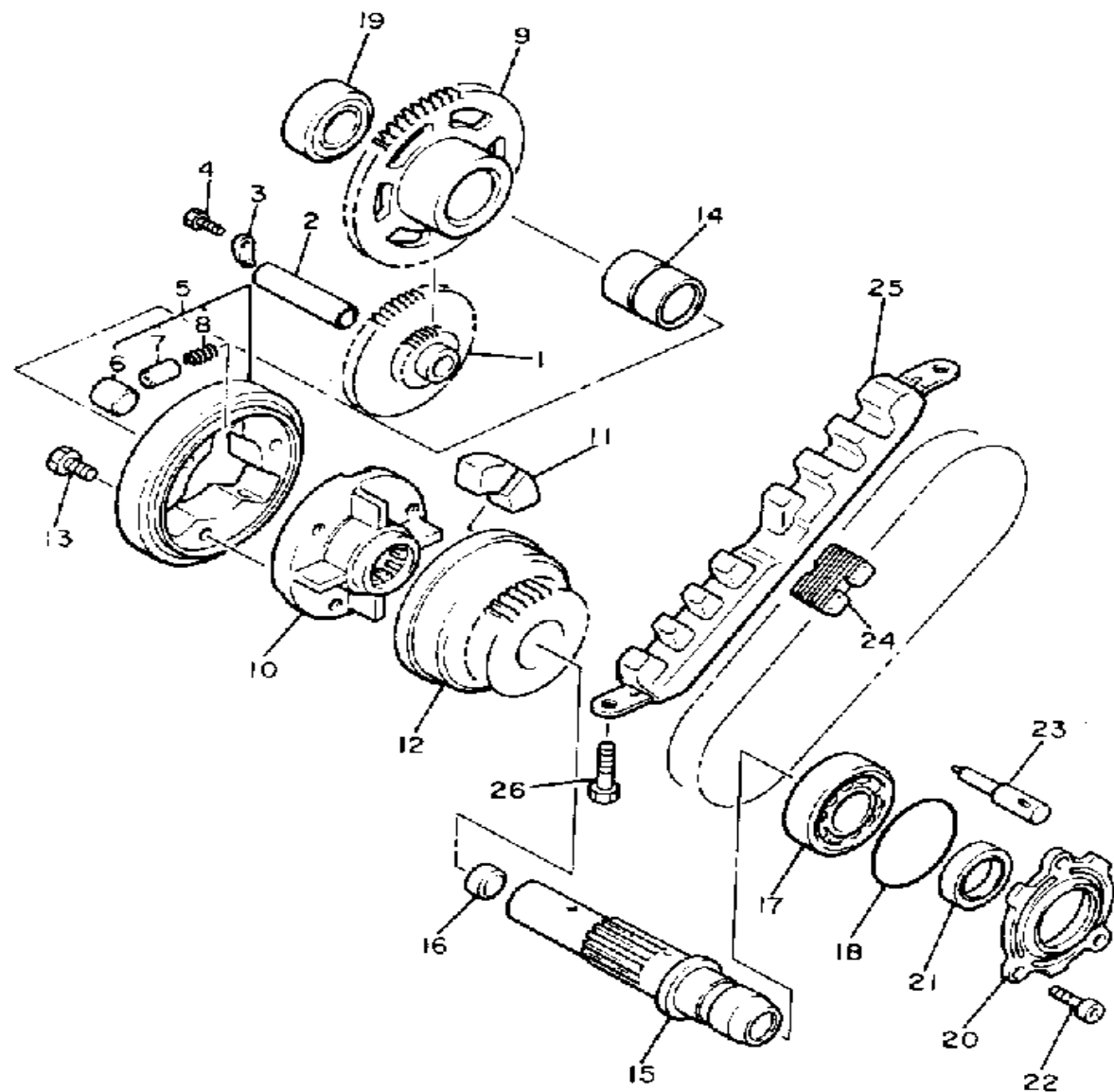


| Ref. No. | Part Number | Description | Qty | Remarks |
|----------|-----------------|--------------------------|-----|---------|
| 1 | 3CV-81671-00-00 | BASE, PICKUP | 1 | |
| 2 | 3CV-81673-00-00 | ROTOR | 1 | |
| 3 | 93604-08071-00 | PIN, DOWEL | 1 | |
| 4 | 90105-10445-00 | BOLT, WASHER BASED | 1 | |
| 5 | 90159-06107-00 | SCREW, WITH WASHER | 2 | |



3CV1310-8400

STARTER

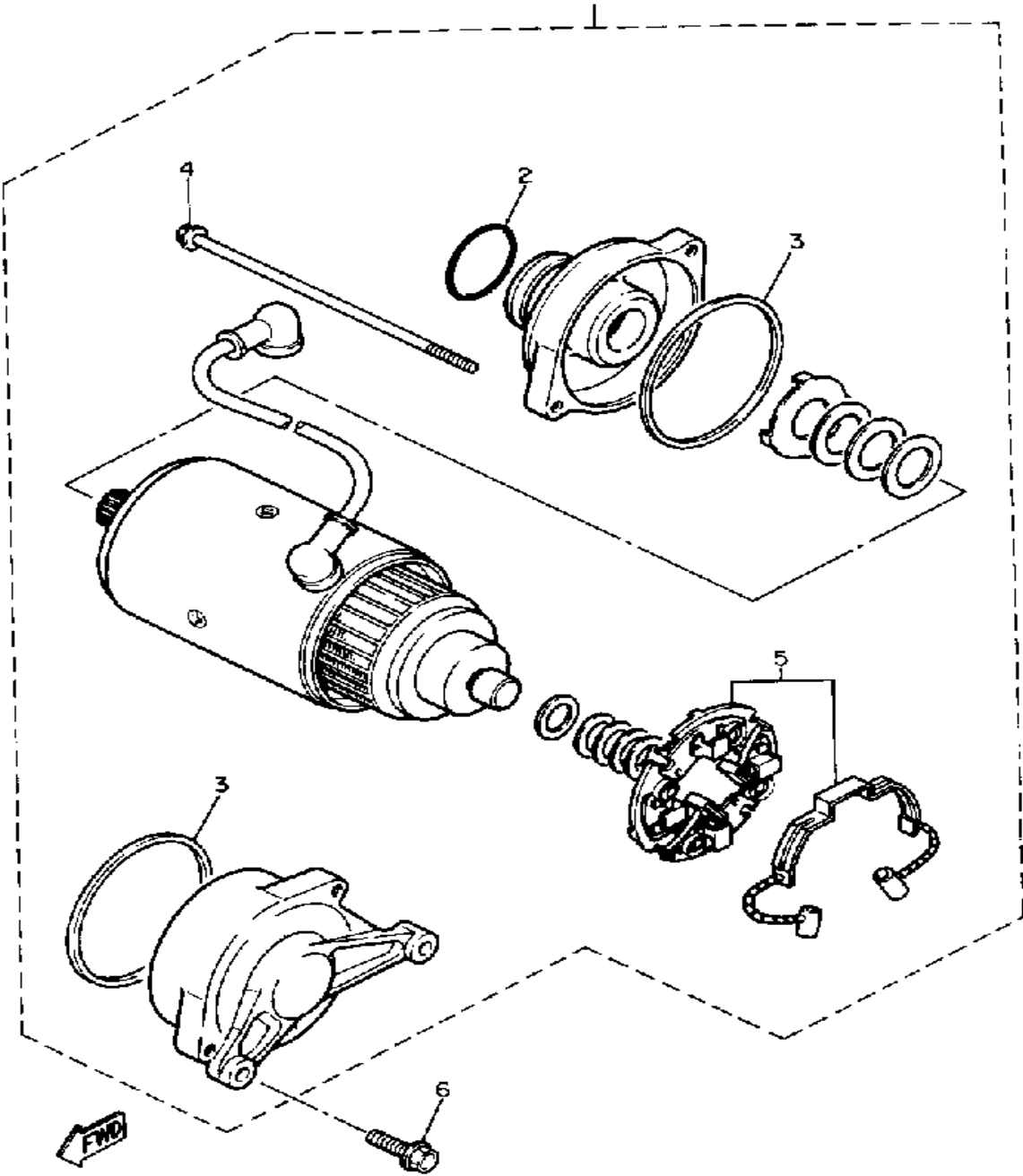


| Ref. No. | Part Number | Description | Qty | Remarks |
|----------|-----------------|--|-----|---------|
| 1 | 36Y-15512-01-00 | GEAR, IDLER 1 | 1 | |
| 2 | 36Y-15521-01-00 | SHAFT 1 | 1 | |
| 3 | 2H7-15531-00-00 | PLATE, STOPPER | 1 | |
| 4 | 97021-06012-00 | BOLT | 1 | |
| 5 | 36Y-15580-01-00 | STR CLUTCH OTR ASSEMBLY OUTER ASSEMBLY | 1 | |
| 6 | 93615-17125-00 | . PIN, DOWEL | 3 | |
| 7 | 1J7-15583-01-00 | . CAP, STARTER CLUTCH SPRING | 3 | |
| 8 | 90501-04503-00 | . SPRING, COMPRESSION | 3 | |
| 9 | 36Y-15517-01-00 | GEAR, IDLER 2 | 1 | |
| 10 | 12R-15524-00-00 | WHEEL, STARTER | 1 | |
| 11 | 4H7-16155-01-00 | ABSORBER 1 | 4 | |
| 12 | 36Y-15519-00-00 | SPROCKET, STARTER 2 | 1 | |
| 13 | 91316-08016-00 | BOLT, SOCKET HEAD | 3 | |
| 14 | 90387-201L2-00 | COLLAR | 1 | |
| 15 | 3CV-15522-00-00 | SHAFT 2 | 1 | |
| 16 | 90331-15039-00 | PLUG | 1 | |
| 17 | 93306-20545-00 | BEARING | 1 | |
| 18 | 93210-47440-00 | O-RING | 1 | |
| 19 | 93306-00426-00 | BEARING | 1 | |
| 20 | 36Y-15163-00-00 | HOUSING, BEARING 1 | 1 | |
| 21 | 93102-25253-00 | OIL SEAL | 1 | |
| 22 | 91316-06016-00 | BOLT, SOCKET HEAD | 3 | |
| 23 | 36Y-13454-00-00 | NOZZLE | 1 | |
| 24 | 36Y-11456-00-00 | CHAIN, PRIMARY | 1 | |
| 25 | 36Y-11474-00-00 | GUIDE, UPPER | 1 | |
| 26 | 97011-06016-00 | BOLT | 2 | |



36Y310-4140

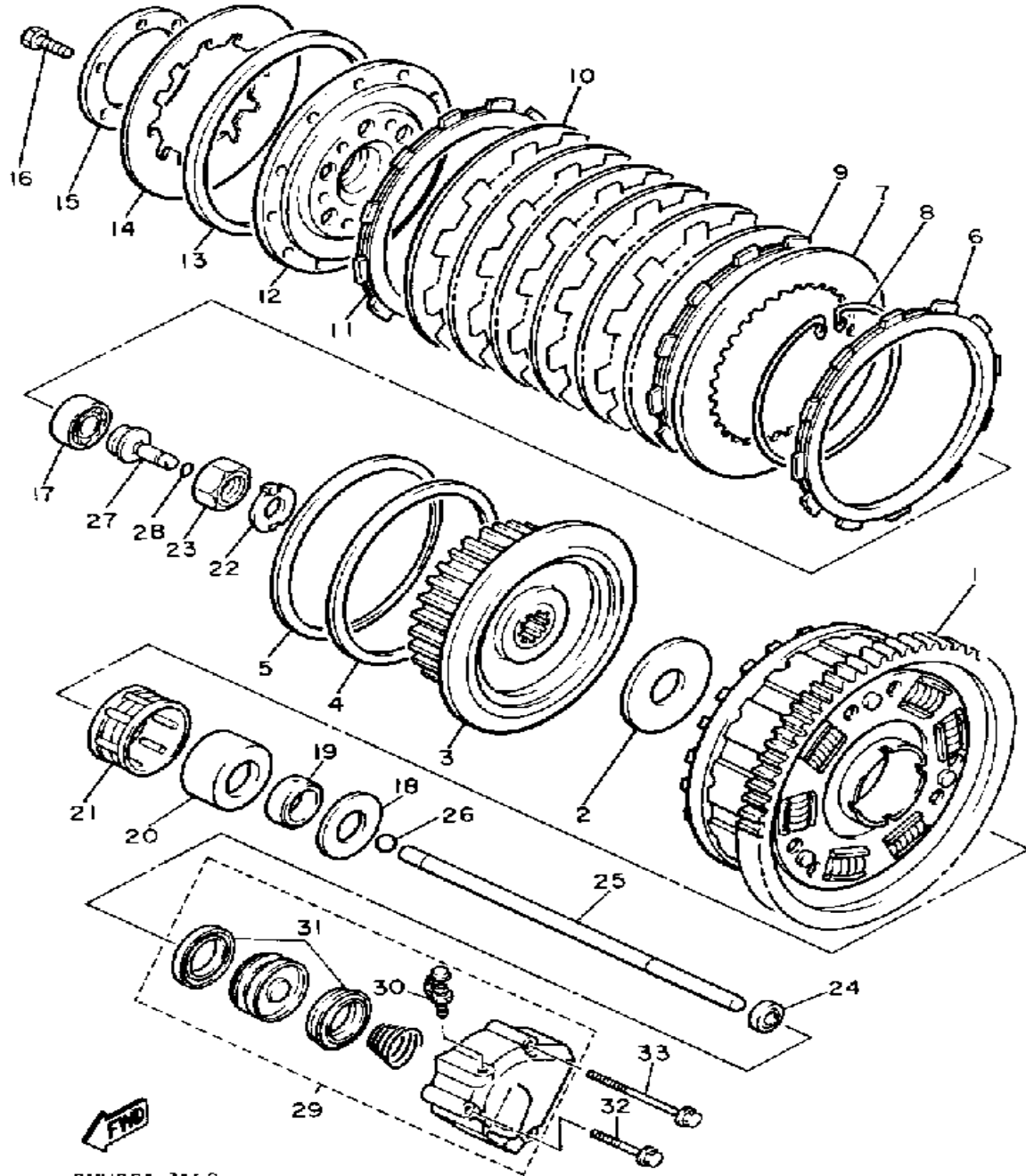
STARTING MOTOR



3YA332-1410

| Ref. No. | Part Number | Description | Qty | Remarks |
|----------|-----------------|-------------------------|-----|---------|
| 1 | 36Y-81800-10-00 | STARTING MOTOR ASSEMBLY | 1 | |
| 2 | 26H-81847-00-00 | . O-RING | 1 | |
| 3 | 11H-81844-00-00 | . GASKET | 2 | |
| 4 | 3AJ-81826-00-00 | . BOLT | 2 | |
| 5 | 3AJ-81801-00-00 | . BRUSH SET | 1 | |
| 6 | 95026-06025-00 | BOLT, FLANGE | 2 | |

CLUTCH

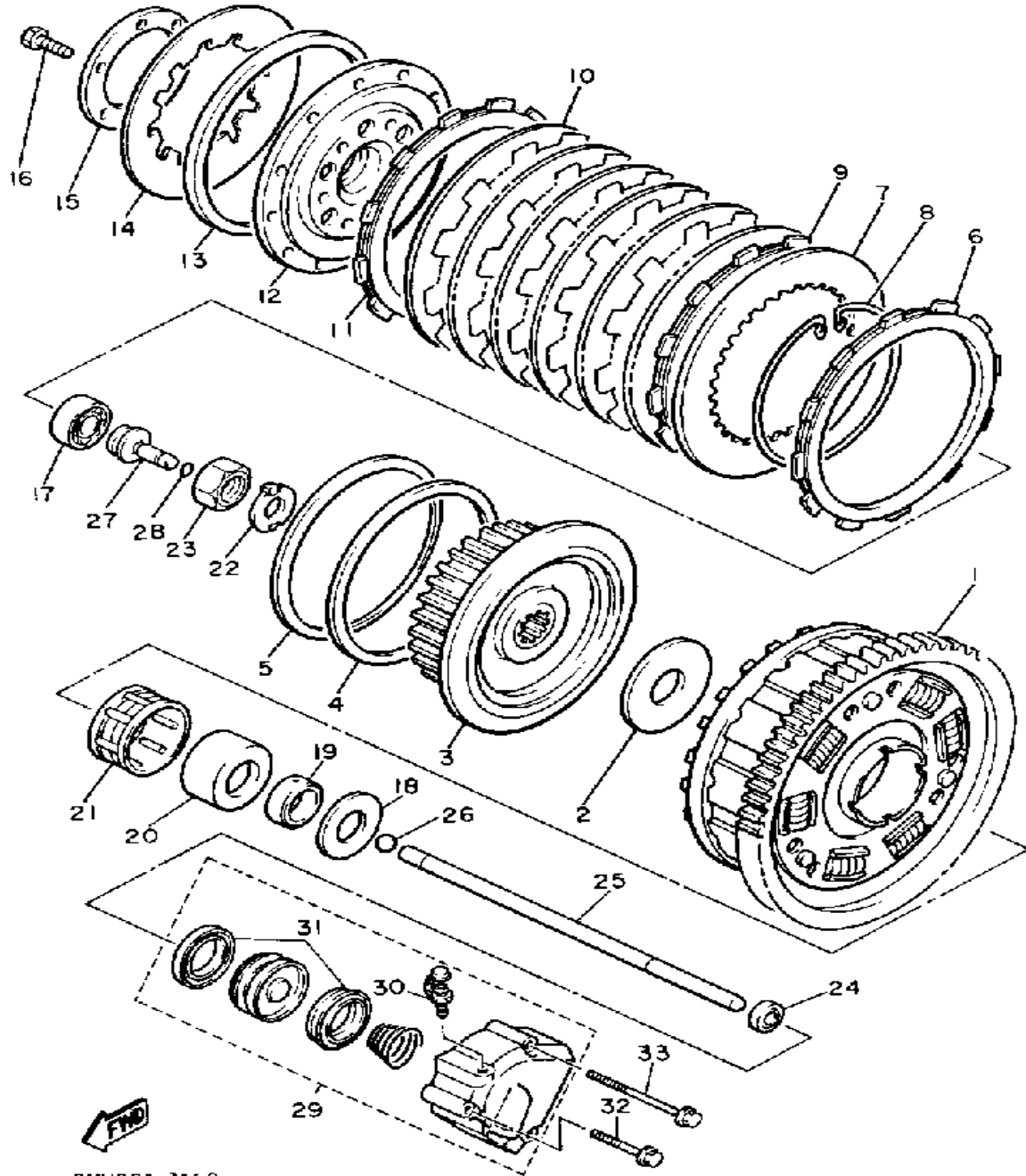


2NH361-7150

| Ref. No. | Part Number | Description | Qty | Remarks |
|----------|-----------------|-------------------------|-----|---------|
| 1 | 1TX-16150-00-00 | PRI DRVN GEARGEAR COMP. | 1 | |
| 2 | 36Y-16154-00-00 | PLATE, THRUST 1 | 1 | |
| 3 | 36Y-16371-00-00 | BOSS, CLUTCH | 1 | |
| 4 | 36Y-16384-00-00 | PLATE, SEAT | 1 | |
| 5 | 36Y-16383-00-00 | SPRING, CLUTCH BOSS | 1 | |
| 6 | 36Y-16331-00-00 | PLATE, FRICTION 2 | 1 | |
| 7 | 2H7-16325-00-00 | PLATE, CLUTCH 2 | 1 | |
| 8 | 2H7-16385-00-00 | RING, CLUTCH BOSS | 1 | |
| 9 | 341-16321-13-00 | PLATE, FRICTION | 6 | |
| 10 | 2H7-16325-00-00 | PLATE, CLUTCH 2 | 6 | |
| 11 | 36Y-16331-00-00 | PLATE, FRICTION 2 | 1 | |
| 12 | 36Y-16351-00-00 | PLATE, PRESSURE 1 | 1 | |
| 13 | 36Y-16335-00-00 | HOUSING, SPRING | 1 | |
| 14 | 1TX-16334-00-00 | SPRING, CLUTCH 2 | 1 | |
| 15 | 1TX-16352-00-00 | PLATE, PRESSURE 2 | 1 | |
| 16 | 97011-06016-00 | BOLT | 6 | |
| 17 | 93306-00315-00 | BEARING (6003SH2C4) | 1 | |
| 18 | 90201-286H8-00 | WASHER, PLATE | 1 | |
| 19 | 90387-284K1-00 | COLLAR | 1 | |
| 20 | 36Y-16181-00-00 | SPACER 1 | 1 | |
| 21 | 93310-350M3-00 | BEARING, CYLINDER.# 0 | 1 | |
| 22 | 90215-25218-00 | WASHER, LOCK | 1 | |
| 23 | 90170-20323-00 | NUT | 1 | |
| 24 | 93109-08061-00 | OIL SEAL | 1 | |
| 25 | 3CV-16357-00-00 | ROD, PUSH 2 | 1 | |
| 26 | 93511-32027-00 | BALL | 1 | |
| 27 | 36Y-16356-00-00 | ROD, PUSH 1 | 1 | |
| 28 | 93210-06632-00 | O-RING | 1 | |
| 29 | 36Y-16381-10-00 | PUSH LEVER COMP. | 1 | |

CONTINUED ON NEXT FRAME ➤

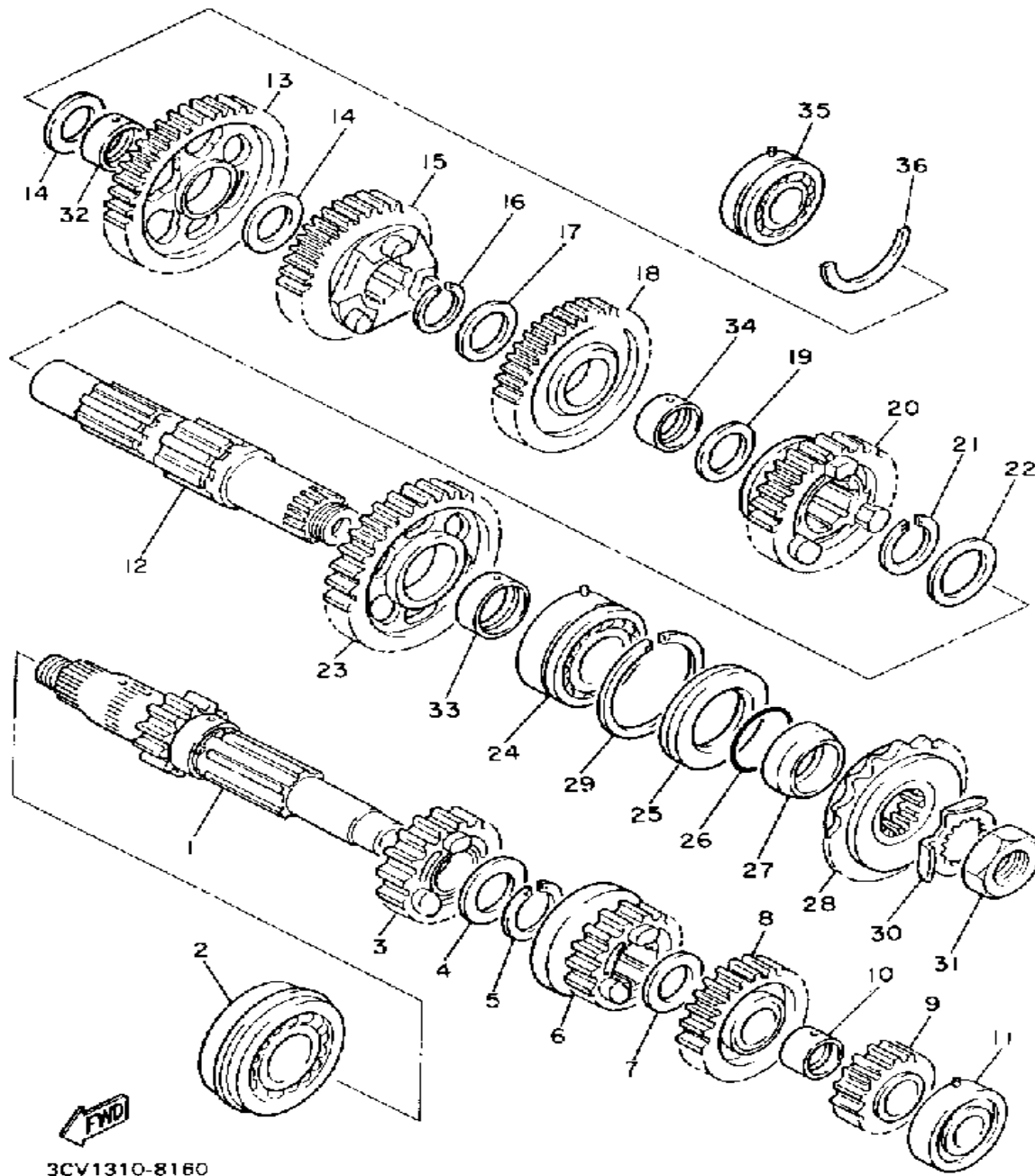
CLUTCH



2NH361-7150

| Ref. No. | Part Number | Description | Qty | Remarks |
|----------|-----------------|---------------------------------|-----|---------|
| 30 | 36Y-W0048-00-00 | . BLEED SCREW KIT | 1 | |
| 31 | 26H-W0098-00-00 | . PUSH LEVER SEAL KIT | 1 | |
| 32 | 95026-06040-00 | BOLT, FLANGE | 1 | |
| 33 | 90105-06306-00 | BOLT, WASHER BASED | 2 | |

TRANSMISSION

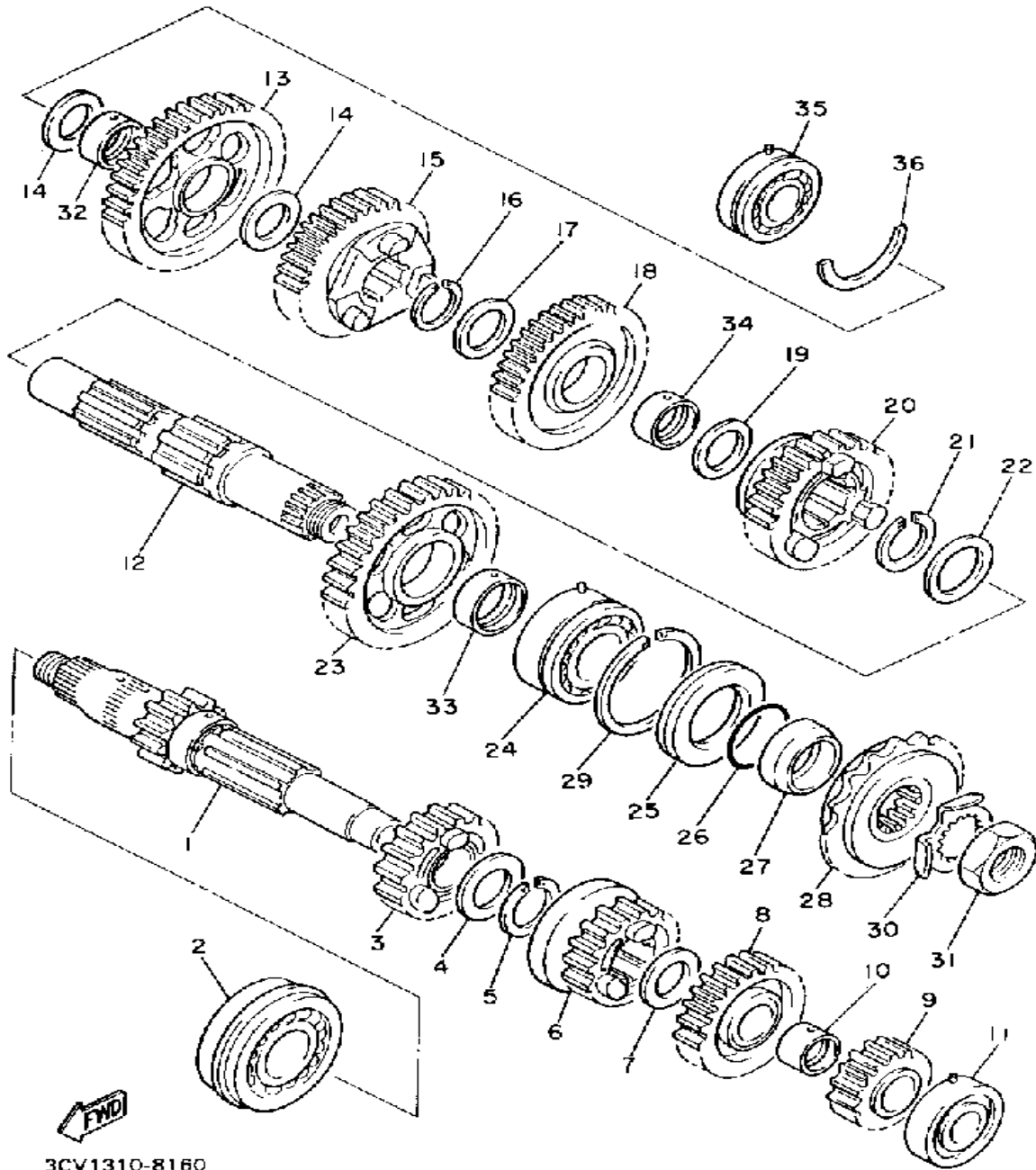


3CV1310-8160

| Ref. No. | Part Number | Description | Qty | Remarks |
|----------|-----------------|---------------------|-----|---------|
| 1 | 1TX-W1741-00-00 | MAIN AXLE ASSEMBLY | 1 | |
| 2 | 93306-36401-00 | BEARING | 1 | |
| 3 | 1TX-17141-00-00 | GEAR, 4TH PINION | 1 | |
| 4 | 90209-25196-00 | WASHER | 1 | |
| 5 | 93440-28062-00 | CIRCLIP | 1 | |
| 6 | 1TX-17131-00-00 | GEAR, 3RD PINION | 1 | |
| 7 | 90201-226H9-00 | WASHER, PLATE | 1 | |
| 8 | 1TX-17151-00-00 | GEAR, 5TH PINION | 1 | |
| 9 | 3CV-17121-00-00 | GEAR, 2ND PINION | 1 | |
| 10 | 90387-220R2-00 | COLLAR | 1 | |
| 11 | 93306-30434-00 | BEARING | 1 | |
| 12 | 1TX-17421-00-00 | AXLE, DRIVE | 1 | |
| 13 | 1TX-17211-00-00 | GEAR, 1ST WHEEL | 1 | |
| 14 | 90201-257H0-00 | WASHER, PLATE | 2 | |
| 15 | 36Y-17241-00-00 | GEAR, 4TH WHEEL | 1 | |
| 16 | 93440-30077-00 | CIRCLIP | 1 | |
| 17 | 90209-27192-00 | WASHER | 1 | |
| 18 | 1TX-17231-00-00 | GEAR, 3RD WHEEL | 1 | |
| 19 | 90201-307H1-00 | WASHER, PLATE | 1 | |
| 20 | 1TX-17251-00-00 | GEAR, 5TH WHEEL | 1 | |
| 21 | 93440-34025-00 | CIRCLIP | 1 | |
| 22 | 90209-32231-00 | WASHER | 1 | |
| 23 | 3CV-17221-00-00 | GEAR, 2ND WHEEL | 1 | |
| 24 | 93305-20605-00 | BEARING | 1 | |
| 25 | 93102-40330-00 | OIL SEAL | 1 | |
| 26 | 93210-30660-00 | O-RING | 1 | |
| 27 | 90387-304K7-00 | COLLAR | 1 | |
| 28 | 3CV-17460-00-00 | SPROCKET, DRIVE 16T | 1 | |
| 29 | 93440-62032-00 | CIRCLIP, OUTER | 1 | |

CONTINUED ON NEXT FRAME ►

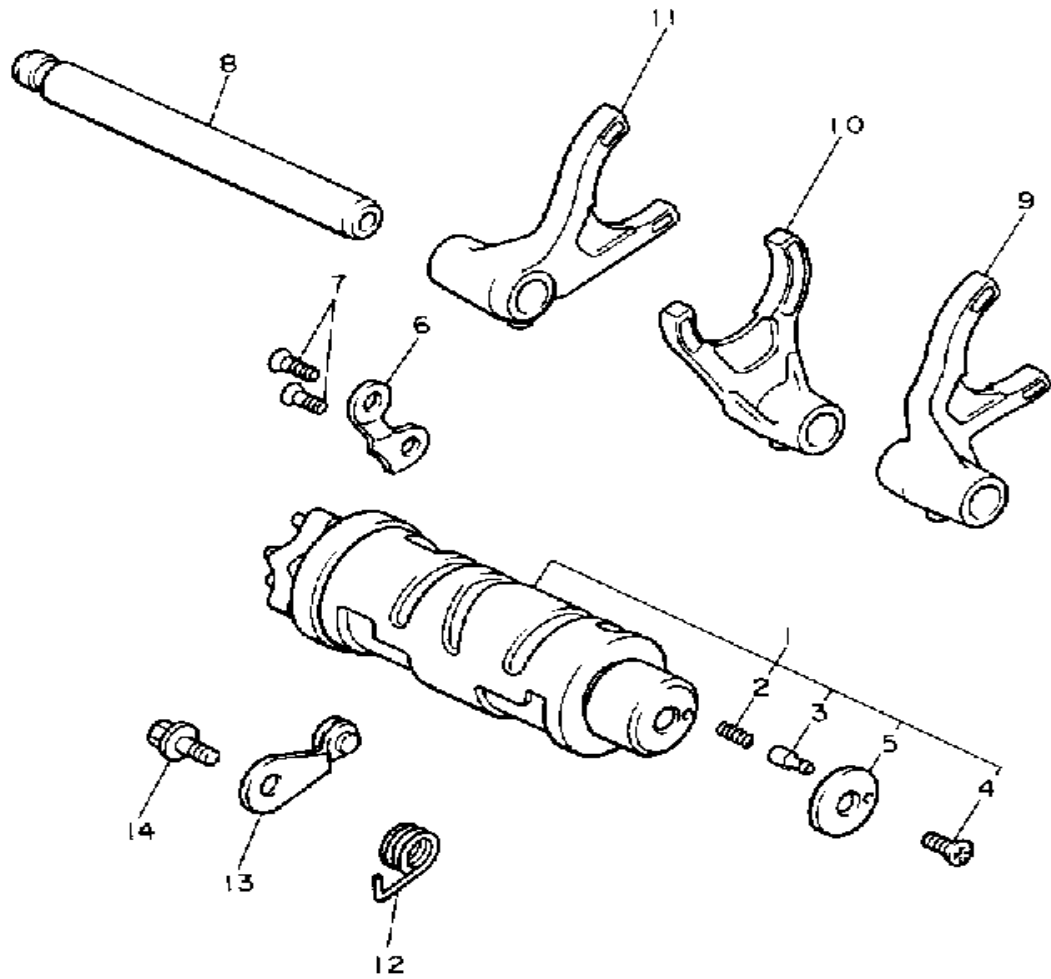
TRANSMISSION



3CV1310-8160

| Ref. No. | Part Number | Description | Qty | Remarks |
|----------|----------------|--------------|-----|---------|
| 30 | 90215-26241-00 | WASHER, LOCK | 1 | |
| 31 | 90179-22063-00 | NUT | 1 | |
| 32 | 90387-250R3-00 | COLLAR | 1 | |
| 33 | 90387-350R5-00 | COLLAR | 1 | |
| 34 | 90387-300R4-00 | COLLAR | 1 | |
| 35 | 93306-20561-00 | BEARING | 1 | |
| 36 | 93440-52118-00 | CIRCLIP | 1 | |

SHIFT CAM - FORK

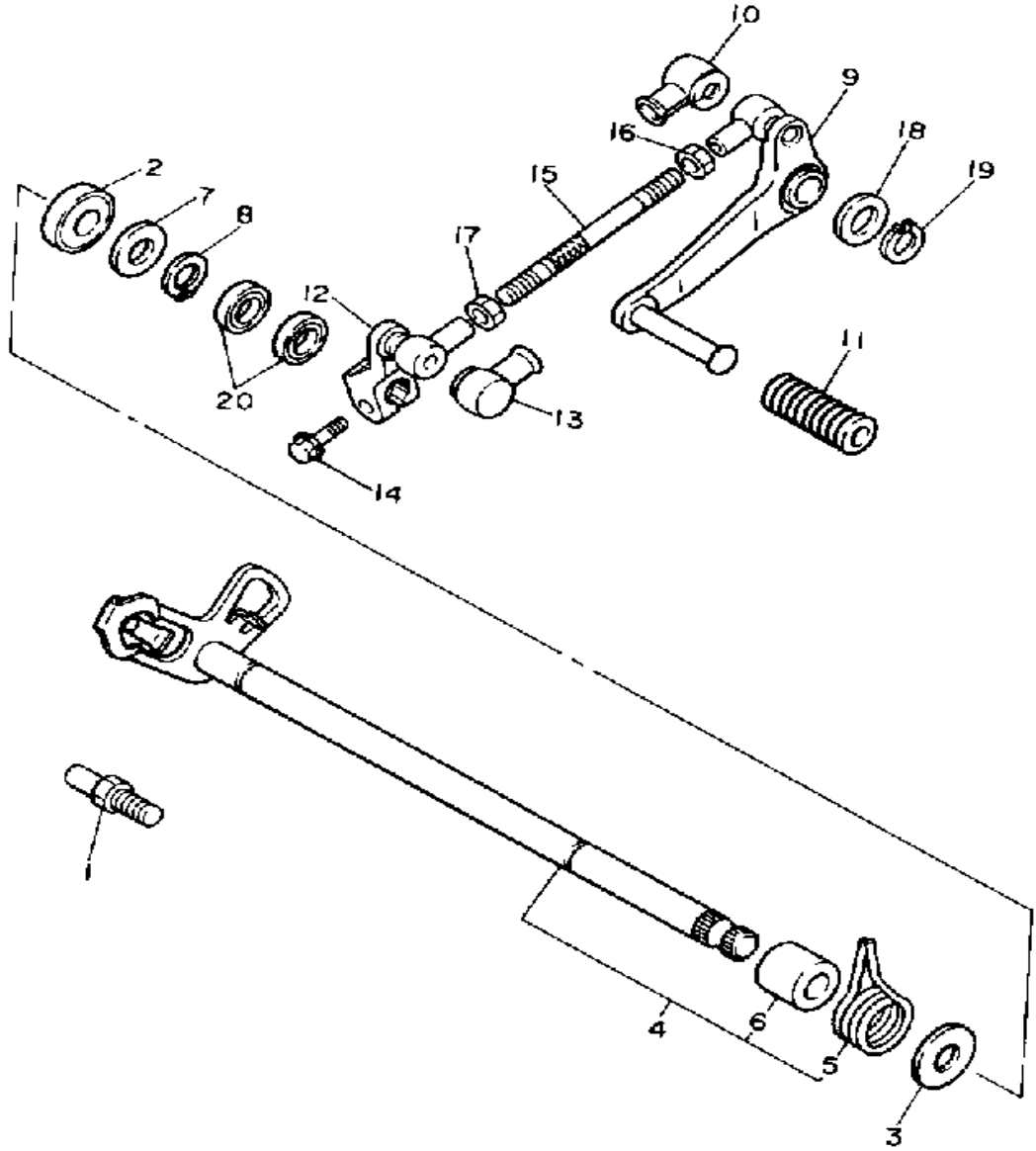


| Ref. No. | Part Number | Description | Qty | Remarks |
|----------|-----------------|------------------------|-----|---------|
| 1 | 1TX-18540-01-00 | SHIFT CAM ASSEMBLY | 1 | |
| 2 | 90501-06022-00 | . SPRING, COMPRESSION | 1 | |
| 3 | 278-18542-00-00 | . POINT, NEUTRAL | 1 | |
| 4 | 98701-05012-00 | . SCREW, FLAT HEAD | 1 | |
| 5 | 278-18566-00-00 | . PLATE, SIDE 2 | 1 | |
| 6 | 36Y-18562-00-00 | PLATE, STOPPER 2 | 1 | |
| 7 | 98701-06016-00 | SCREW, FLAT HEAD | 2 | |
| 8 | 4G0-18531-00-00 | BAR, SHIF FRK GDE 1 | 1 | |
| 9 | 1TX-18511-00-00 | FORK, SHIFT 1 | 1 | |
| 10 | 1TX-18512-00-00 | FORK, SHIFT 2 | 1 | |
| 11 | 1TX-18513-00-00 | FORK, SHIFT 3 | 1 | |
| 12 | 90508-23707-00 | SPRING, TORSION | 1 | |
| 13 | 36Y-18140-00-00 | STOPPER LEVER ASSEMBLY | 1 | |
| 14 | 90109-063F7-00 | BOLT | 1 | |



36Y310-4170

SHIFT SHAFT

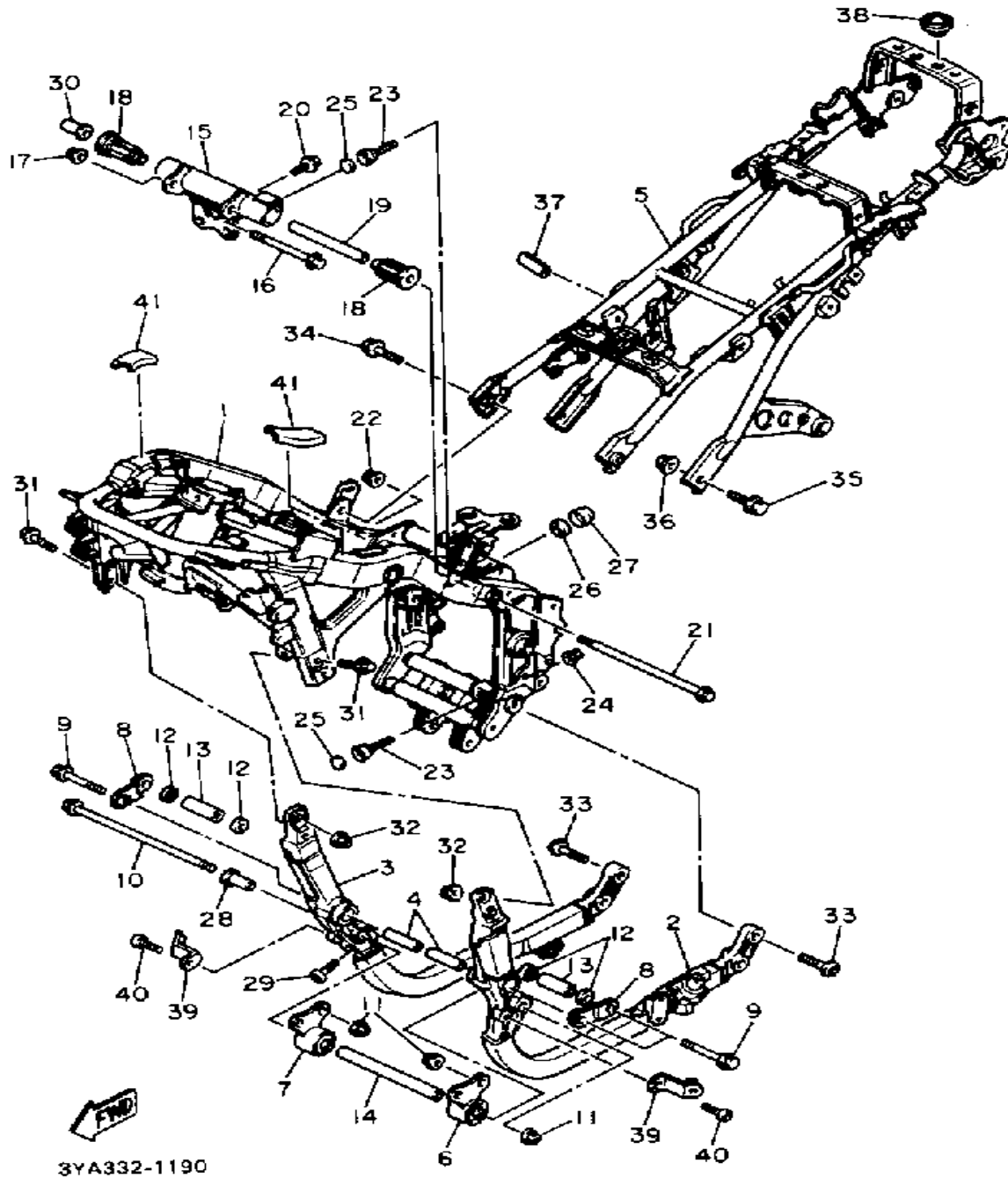


| Ref. No. | Part Number | Description | Qty | Remarks |
|----------|-----------------|--------------------------|-----|---------|
| 1 | 4G0-18127-00-00 | STOPPER, SCREW | 1 | |
| 2 | 93102-12321-00 | OIL SEAL, SD-TYPE | 1 | |
| 3 | 90201-12588-00 | WASHER, PLATE | 1 | |
| 4 | 1TX-18101-01-00 | SHIFT SHAFT ASSEMBLY 1 | 1 | |
| 5 | 90508-32682-00 | . SPRING, TORSION | 1 | |
| 6 | 90387-114K8-00 | . COLLAR | 1 | |
| 7 | 90201-12575-00 | WASHER, PLATE | 1 | |
| 8 | 99006-10600-00 | CIRCLIP | 1 | |
| 9 | 36Y-18111-00-00 | PEDAL, SHIFT | 1 | |
| 10 | 2H9-18154-00-00 | COVER, DUST | 1 | |
| 11 | 132-18113-01-00 | COVER, SHIFT PEDAL | 1 | |
| 12 | 1TX-18112-00-00 | ARM, SHIFT | 1 | |
| 13 | 2H9-18154-00-00 | COVER, DUST | 1 | |
| 14 | 95811-06020-00 | BOLT, FLANGE | 1 | |
| 15 | 36Y-18115-00-00 | ROD, SHIFT | 1 | |
| 16 | 90170-06228-00 | NUT (COUNTER CLOCKWISE) | 1 | |
| 17 | 95380-06700-00 | NUT | 1 | |
| 18 | 90201-124E4-00 | WASHER, PLATE | 1 | |
| 19 | 99009-12400-00 | CIRCLIP | 1 | |
| 20 | 93109-12053-00 | OIL SEAL (SDO 12/18/4-1) | 2 | |



1UX110-6180

FRAME

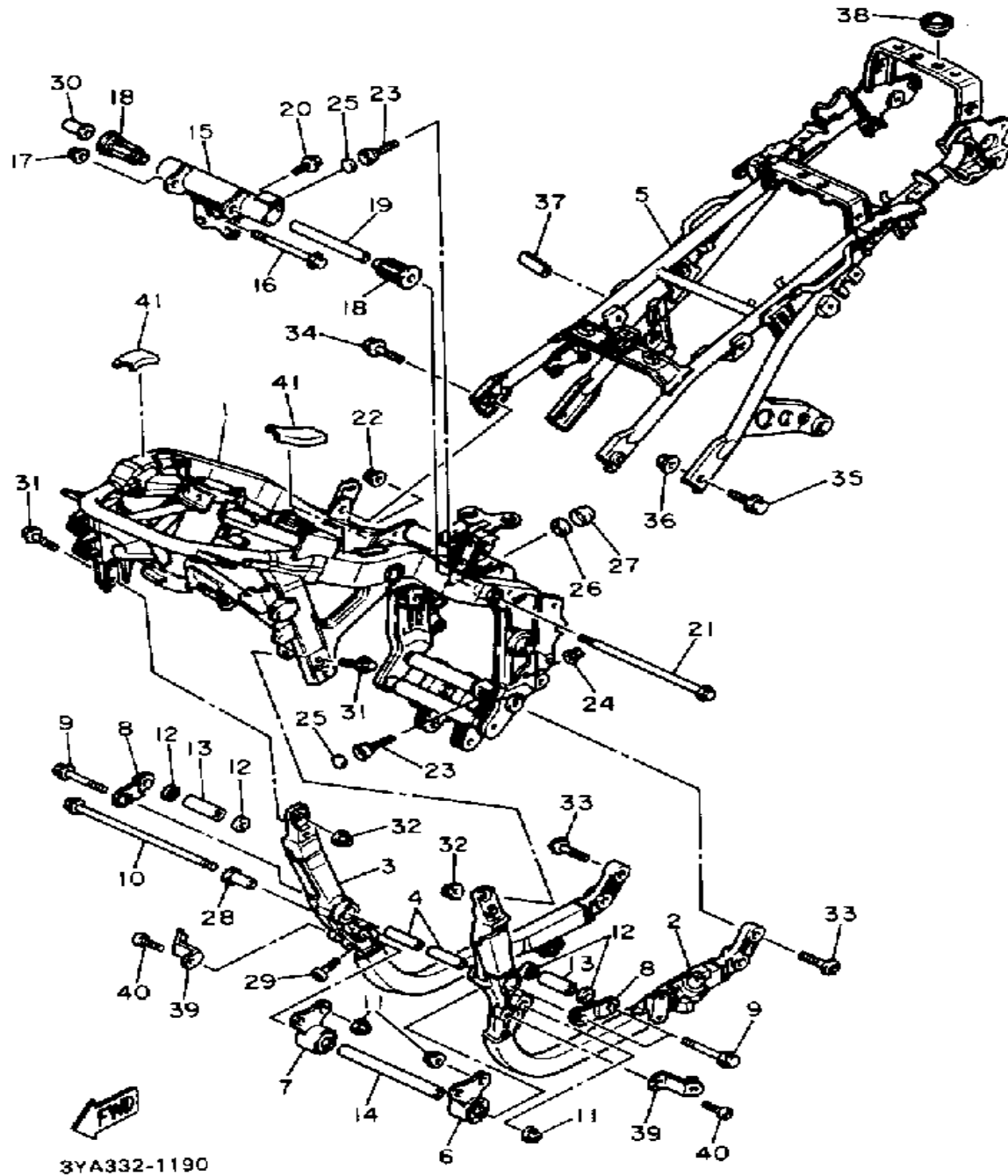


3YA332-1190

| Ref. No. | Part Number | Description | Qty | Remarks |
|----------|-----------------|--|-----|--------------|
| 1 | 4AH-21110-01-35 | FRAME | 1 | UR SILVER |
| | 4AH-21110-10-35 | FRAME | 1 | UR SILVER |
| 2 | 3XW-21140-00-35 | TUBE, DOWN | 1 | UR SILVER |
| | 4AH-21140-00-35 | TUBE, DOWN | 1 | UR SILVER |
| 3 | 3XW-21150-00-35 | DOWN TUBE COMP 2 | 1 | UR SILVER |
| | 4AH-21150-00-35 | DOWN TUBE COMP 2 | 1 | UR SILVER |
| 4 | 3GB-22123-00-00 | BUSH 1 | 2 | |
| 5 | 3XW-21190-00-33 | FRAME, REAR | 1 | YAMAHA BLACK |
| 6 | 3XW-2140X-00-00 | ENG BRKT SUB-COMP1SUB-COMP. 1 ... | 1 | |
| 7 | 3XW-2140Y-00-00 | ENG BRKT SUB-COMP2SUB-COMP. 2 ... | 1 | |
| 8 | 3XW-21316-00-00 | STAY, ENGINE 3 | 2 | |
| 9 | 90105-12598-00 | BOLT, WASHER BASED | 4 | |
| 10 | 90105-12106-00 | BOLT, WASHER BASED | 1 | |
| 11 | 90179-12421-00 | NUT, SPEC'L SHAPE | 5 | |
| 12 | 3XW-2217H-00-00 | COVER, DUST | 4 | |
| 13 | 90387-124X8-00 | COLLAR | 2 | |
| 14 | 90560-12374-00 | SPACER | 1 | |
| 15 | 3XW-21317-00-00 | STAY, ENGINE 4 | 1 | |
| 16 | 90105-10183-00 | BOLT, WASHER BASED | 1 | |
| 17 | 95601-10200-00 | NUT, SELF-LOCKING | 1 | |
| 18 | 3XW-21488-00-00 | DAMPER | 2 | |
| 19 | 36Y-15327-00-00 | SPACER, ENG MOUNT | 1 | |
| 20 | 95811-10020-00 | BOLT, FLANGE (95822-10020-00) | 2 | |
| 21 | 90105-12523-00 | BOLT, WASHER BASED | 1 | |
| 22 | 90179-12421-00 | NUT, SPEC'L SHAPE | 1 | |
| 23 | 3XW-21495-00-00 | WASHER, LOCKENGINE ADJUSTING | 2 | |

CONTINUED ON NEXT FRAME ►

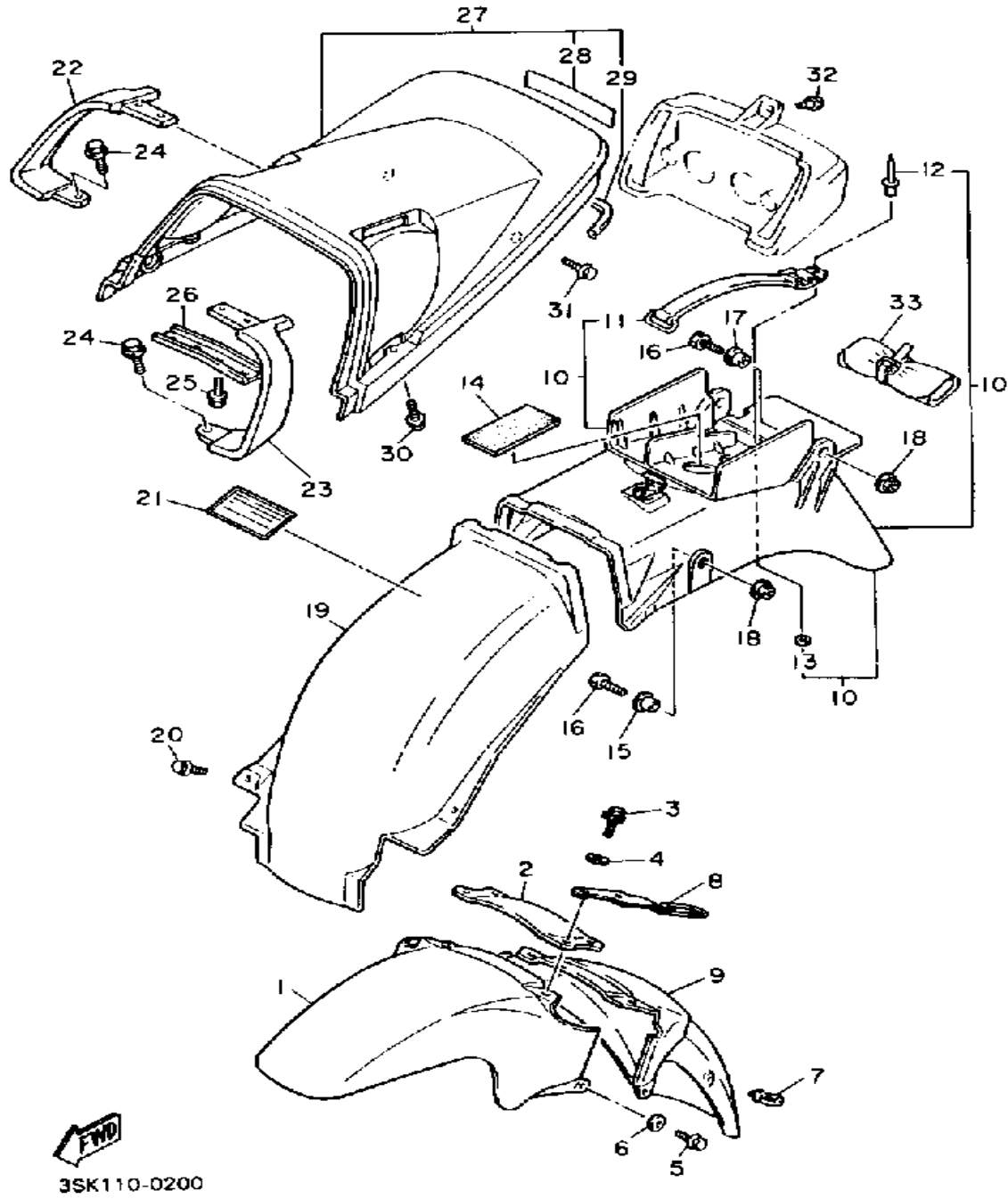
FRAME



3YA332-1190

| Ref. No. | Part Number | Description | Qty | Remarks |
|----------|-----------------|-------------------------------------|-----|---------|
| 24 | 95701-10500-00 | NUT, FLANGE (95702-10500) .. | 1 | |
| 25 | 3XW-2140A-00-00 | DAMPER, STOPPER | 2 | |
| 26 | 3XW-21494-00-00 | NUT | 1 | |
| 27 | 90331-32097-00 | PLUG (3XW) | 1 | |
| 28 | 90387-123X4-00 | COLLAR | 1 | |
| 29 | 91311-10020-00 | BOLT, SOCKET HEAD | 1 | |
| 30 | 90387-120Y4-00 | COLLAR (3XW) | 1 | |
| 31 | 90105-10635-00 | BOLT, WASHER BASED | 4 | |
| 32 | 95701-10500-00 | NUT, FLANGE (95702-10500) .. | 2 | |
| 33 | 90149-08296-00 | SCREW, SPEC'L SHAPE | 4 | |
| 34 | 90105-10285-00 | BOLT, WASHER BASED | 2 | |
| 35 | 95811-10020-00 | BOLT, FLANGE (95822-10020-00) | 2 | |
| 36 | 95601-10200-00 | NUT, SELF-LOCKING | 2 | |
| 37 | 1UF-2171L-01-00 | MOLD, SIDE COVER 1 | 1 | |
| 38 | 1L9-24741-00-00 | PAD, SEAT | 2 | |
| 39 | 3XW-21149-00-00 | BRACKET, BATT BOX | 2 | |
| 40 | 91311-06010-00 | BOLT, SOCKET HEAD | 2 | |
| 41 | 1VJ-14425-00-00 | DAMPER 1 | 2 | |

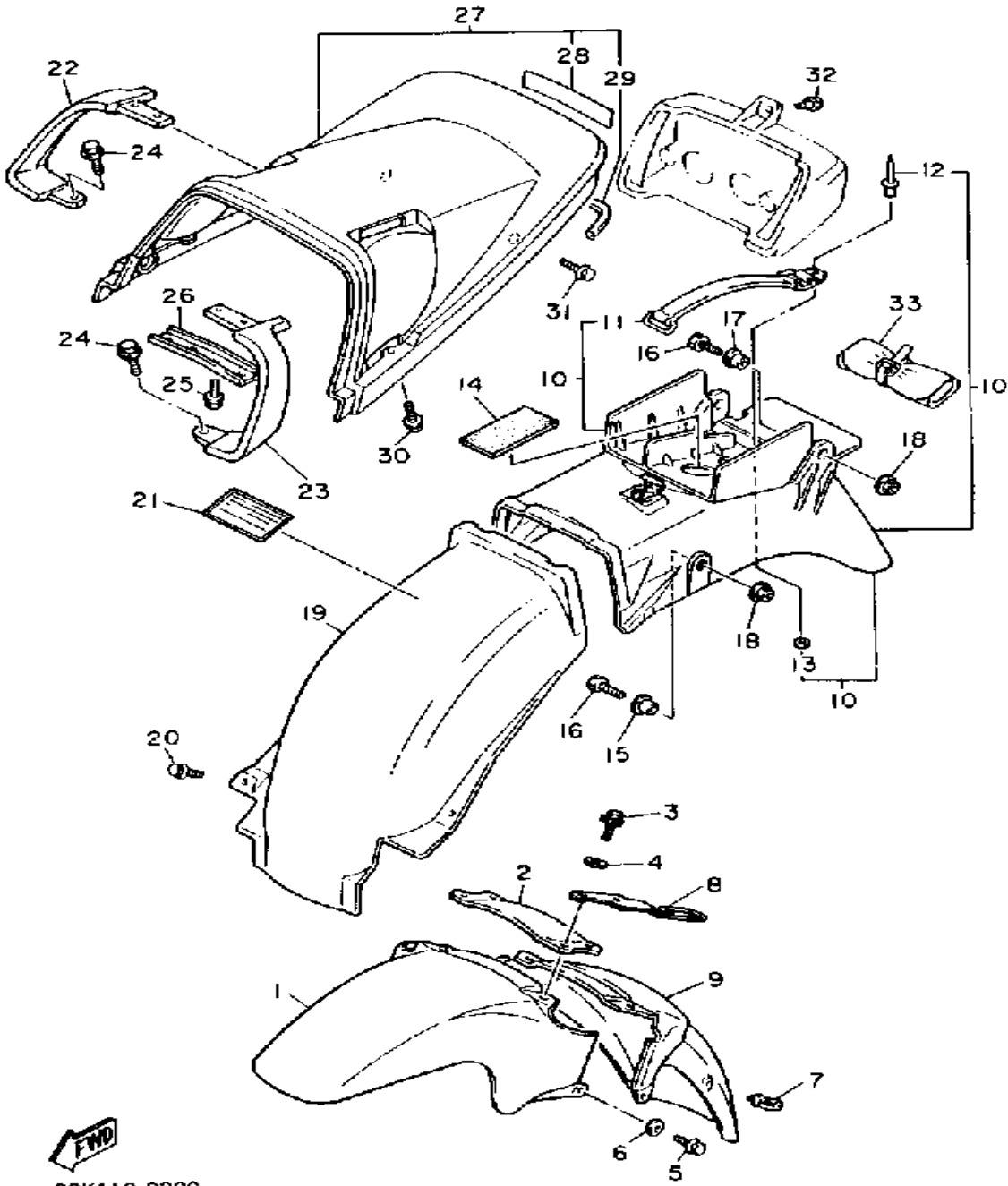
FENDER



| Ref. No. | Part Number | Description | Qty | Remarks |
|----------|-----------------|----------------------------|-----|------------------------|
| 1 | 36Y-21511-01-P2 | FENDER, FRONT | 1 | DARK VIOLET COCKTAIL 1 |
| 2 | 36Y-21512-00-00 | BRACKET, FENDER | 1 | |
| 3 | 95023-06020-00 | BOLT, FLANGE | 4 | |
| 4 | 90201-06050-00 | WASHER, PLATE | 2 | |
| 5 | 95026-06020-00 | BOLT, FLANGE | 2 | |
| 6 | 90201-062A8-00 | WASHER, PLATE | 2 | |
| 7 | 1A8-21518-00-00 | HOLDER, CABLE | 1 | |
| 8 | 3CV-21596-00-00 | HOLDER | 1 | |
| 9 | 36Y-21556-01-P2 | FENDER, FRONT 2 | 1 | DARK VIOLET COCKTAIL 1 |
| 10 | 47M-W2161-01-00 | REAR FENDER | 1 | |
| 11 | 36Y-21376-00-00 | . BAND, TOOL | 1 | |
| 12 | 90267-40076-00 | . RIVET, BLIND | 1 | |
| 13 | 90201-044H9-00 | . WASHER, PLAIN | 1 | |
| 14 | 26H-2848K-00-00 | SEAT 2 | 1 | |
| 15 | 90387-06648-00 | COLLAR | 2 | |
| 16 | 97011-06020-00 | BOLT | 4 | |
| 17 | 90387-06648-00 | COLLAR | 2 | |
| 18 | 95706-06500-00 | NUT, FLANGE | 4 | |
| 19 | 36Y-21629-00-00 | GUARD, MUD | 1 | |
| 20 | 90119-06108-00 | BOLT, WITH WASHER | 2 | |
| 21 | 4AH-2179R-10-00 | PLATE, EPA CAL 2 | 1 | UR |
| | 4AH-2179V-10-00 | PLATE, EPA U 9 | 1 | UR |
| 22 | 1TX-21645-00-00 | STAY, REAR | 1 | |
| 23 | 1TX-21644-00-00 | STAY, REAR | 1 | |
| 24 | 95821-08020-00 | BOLT, FLANGE (95801-08020) | 2 | |
| 25 | 95821-06014-00 | BOLT, FLANGE | 4 | |
| 26 | 1TX-2164F-00-00 | STAY 1 | 1 | |

CONTINUED ON NEXT FRAME ►

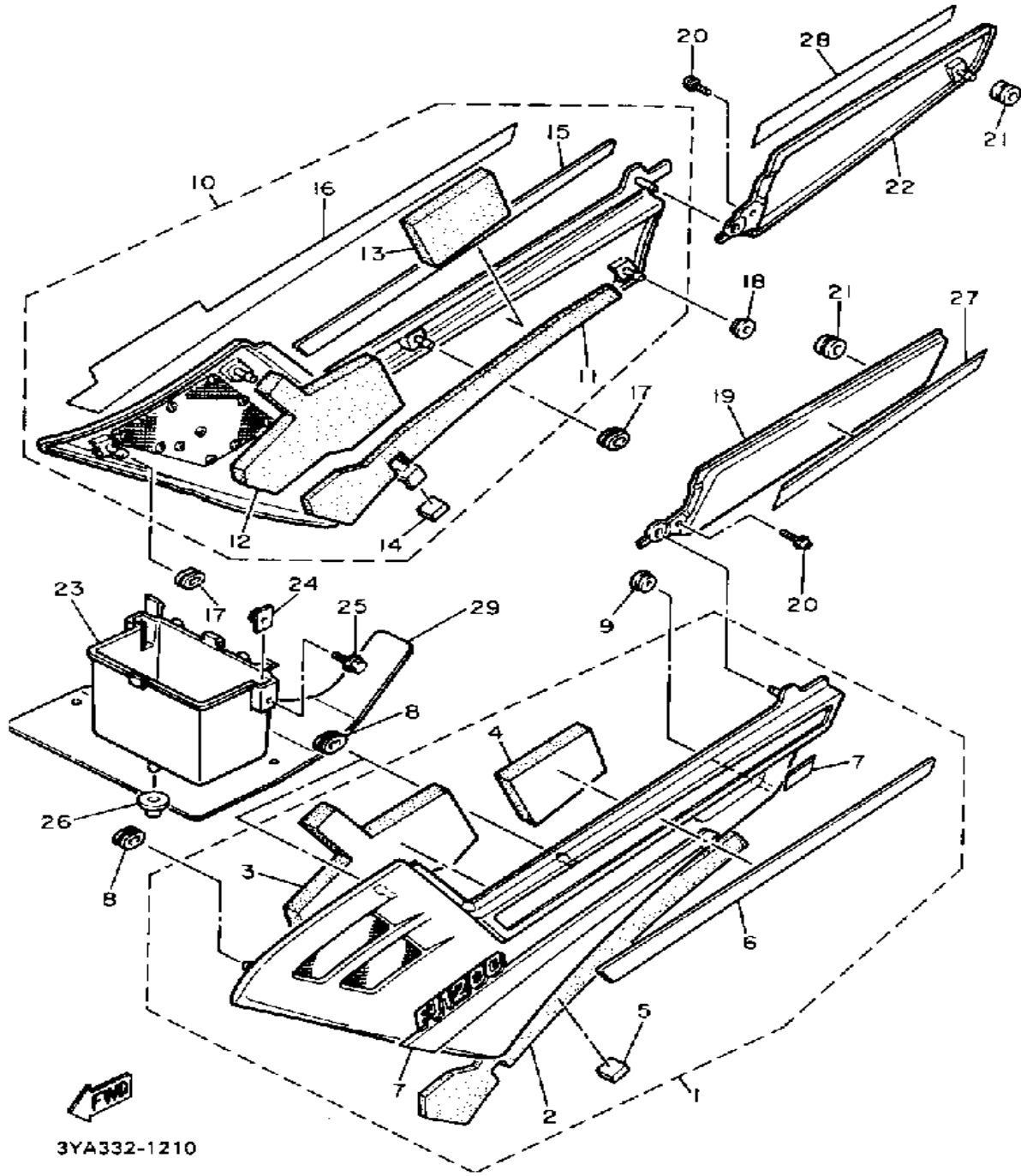
FENDER



| Ref. No. | Part Number | Description | Qty | Remarks |
|----------|-----------------|--------------------|-----|------------------------|
| 27 | 1TX-Y2165-80-P2 | COVER, REAR FENDER | 1 | DARK VIOLET COCKTAIL 1 |
| 28 | 99226-00020-00 | . EMBLEM, YAMAHA | 1 | |
| 29 | 36Y-21649-00-00 | . DAMPER | 1 | |
| 30 | 90159-05022-00 | SCREW, WITH WASHER | 2 | |
| 31 | 90119-06044-00 | BOLT, WITH WASHER | 2 | |
| 32 | 36Y-21639-00-00 | DAMPER 2 | 1 | |
| 33 | 3XW-28100-00-00 | TOOL KIT | 1 | |

3SK110-0200

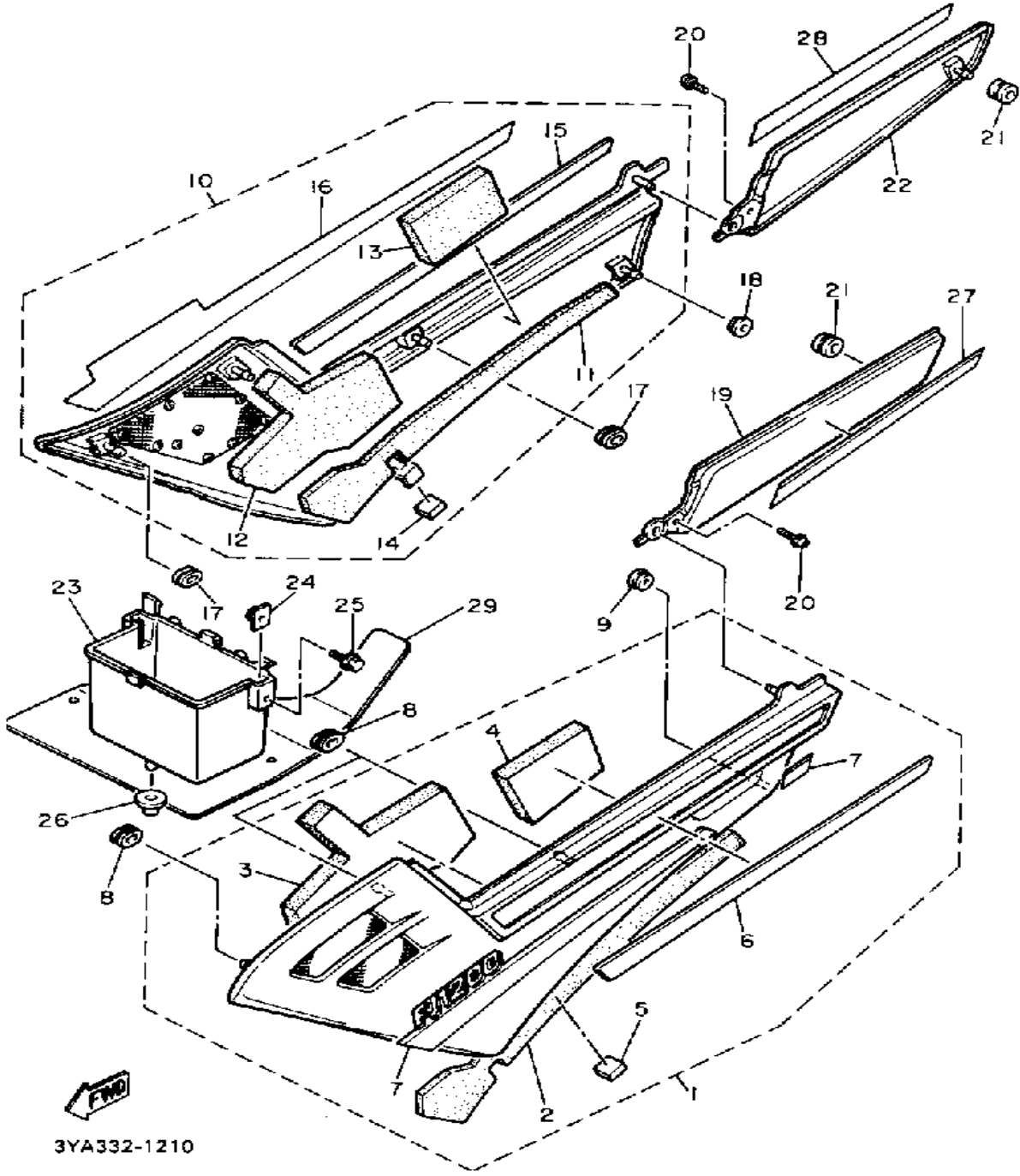
SIDE COVER



| Ref. No. | Part Number | Description | Qty | Remarks |
|----------|-----------------|----------------------|-----|--------------------------------|
| 1 | 3XW-Y2171-50-3X | COVER, SIDE 1 | 1 | DARK VIOLET COCKTAIL/MARBLE SI |
| 2 | 3XW-21746-00-00 | . DAMPER | 1 | |
| 3 | 3XW-21778-00-00 | . DAMPER, LOCATING 1 | 1 | |
| 4 | 3XW-2177M-00-00 | . DAMPER, LOCATING | 1 | |
| 5 | 1AE-2837J-00-00 | . DAMPER 5 | 1 | |
| 6 | 3XW-2171L-20-00 | . MOLD, SIDE COVER 1 | 1 | |
| 7 | 3XW-2173L-20-00 | . GRAPHIC SET 1 | 1 | |
| 8 | 90480-01401-00 | GROMMET | 3 | |
| 9 | 90480-13398-00 | GROMMET | 1 | |
| 10 | 3XW-Y2172-50-3X | COVER, SIDE 2 | 1 | DARK VIOLET COCKTAIL/MARBLE SI |
| 11 | 36Y-21747-01-00 | . DAMPER | 1 | |
| 12 | 3XW-21779-00-00 | . DAMPER, LOCATING 2 | 1 | |
| 13 | 3XW-21735-00-00 | . SEAL 2 | 1 | |
| 14 | 1AE-2837J-00-00 | . DAMPER 5 | 1 | |
| 15 | 3XW-2171M-20-00 | . MOLD, SIDE COVER 2 | 1 | |
| 16 | 3XW-2174J-20-00 | . GRAPHIC 5 | 1 | |
| 17 | 90480-01401-00 | GROMMET | 3 | |
| 18 | 90480-13398-00 | GROMMET | 1 | |
| 19 | 36Y-21731-00-0L | COVER, SIDE 3 | 1 | MARBLE SILVER |
| 20 | 90159-06060-00 | SCREW, WITH WASHER | 2 | |
| 21 | 90480-13163-00 | GROMMET | 2 | |
| 22 | 36Y-21741-00-0L | COVER, SIDE 4 | 1 | MARBLE SILVER |
| 23 | 3XW-21245-00-00 | BOX | 1 | |
| 24 | 31A-14477-00-00 | PLATE | 2 | |
| 25 | 95811-06012-00 | BOLT, FLANGE | 2 | |
| 26 | 90480-22362-00 | GROMMET | 1 | |

CONTINUED ON NEXT FRAME ►

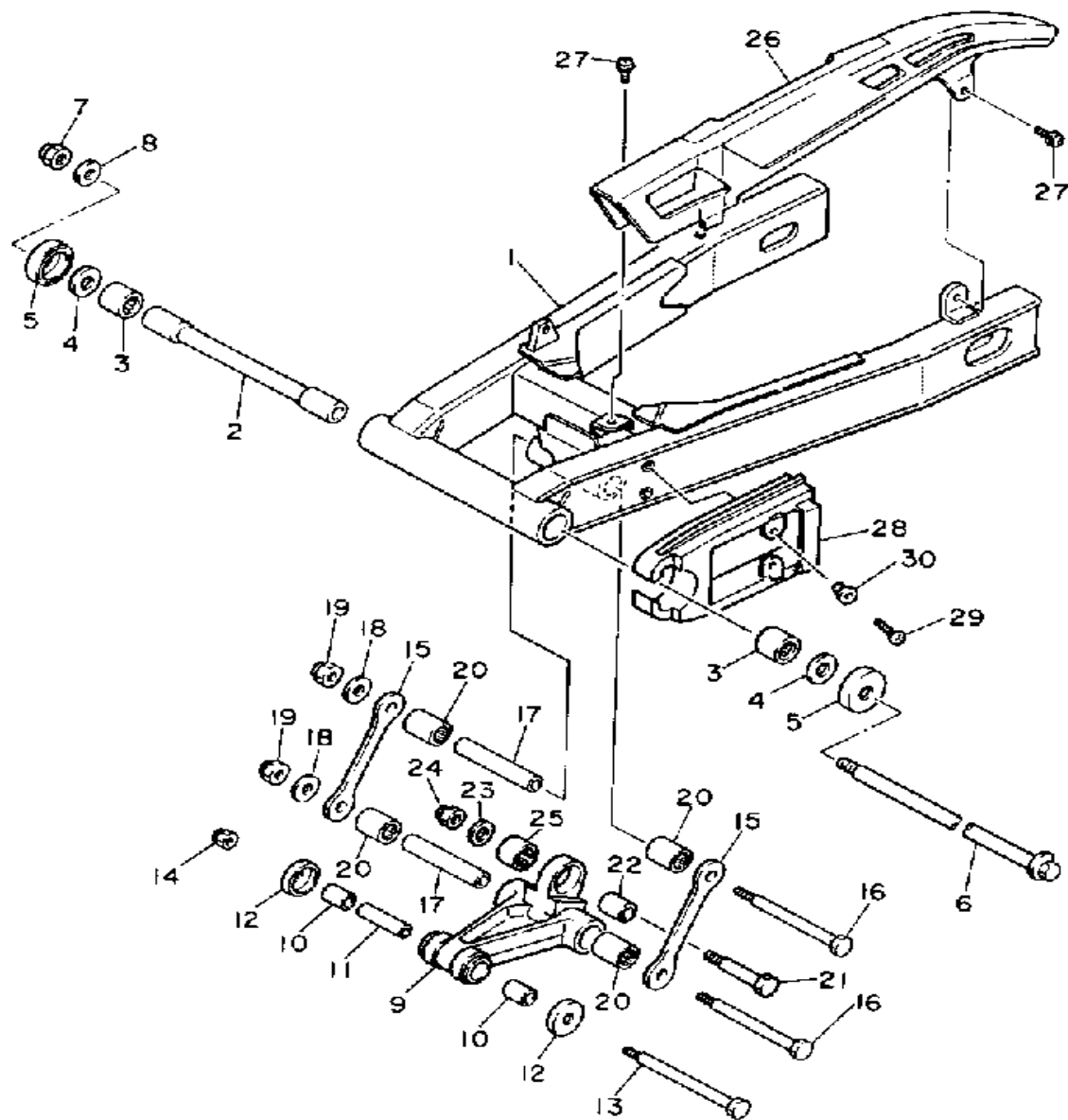
SIDE COVER



| Ref. No. | Part Number | Description | Qty | Remarks |
|----------|-----------------|-----------------|-----|---------|
| 27 | 3XW-2174G-20-00 | GRAPHIC 3 | 1 | |
| 28 | 3XW-2174H-20-00 | GRAPHIC 4 | 1 | |
| 29 | 3XW-2172G-00-00 | PANEL 2 | 1 | |

3YA332-1210

SWING ARM

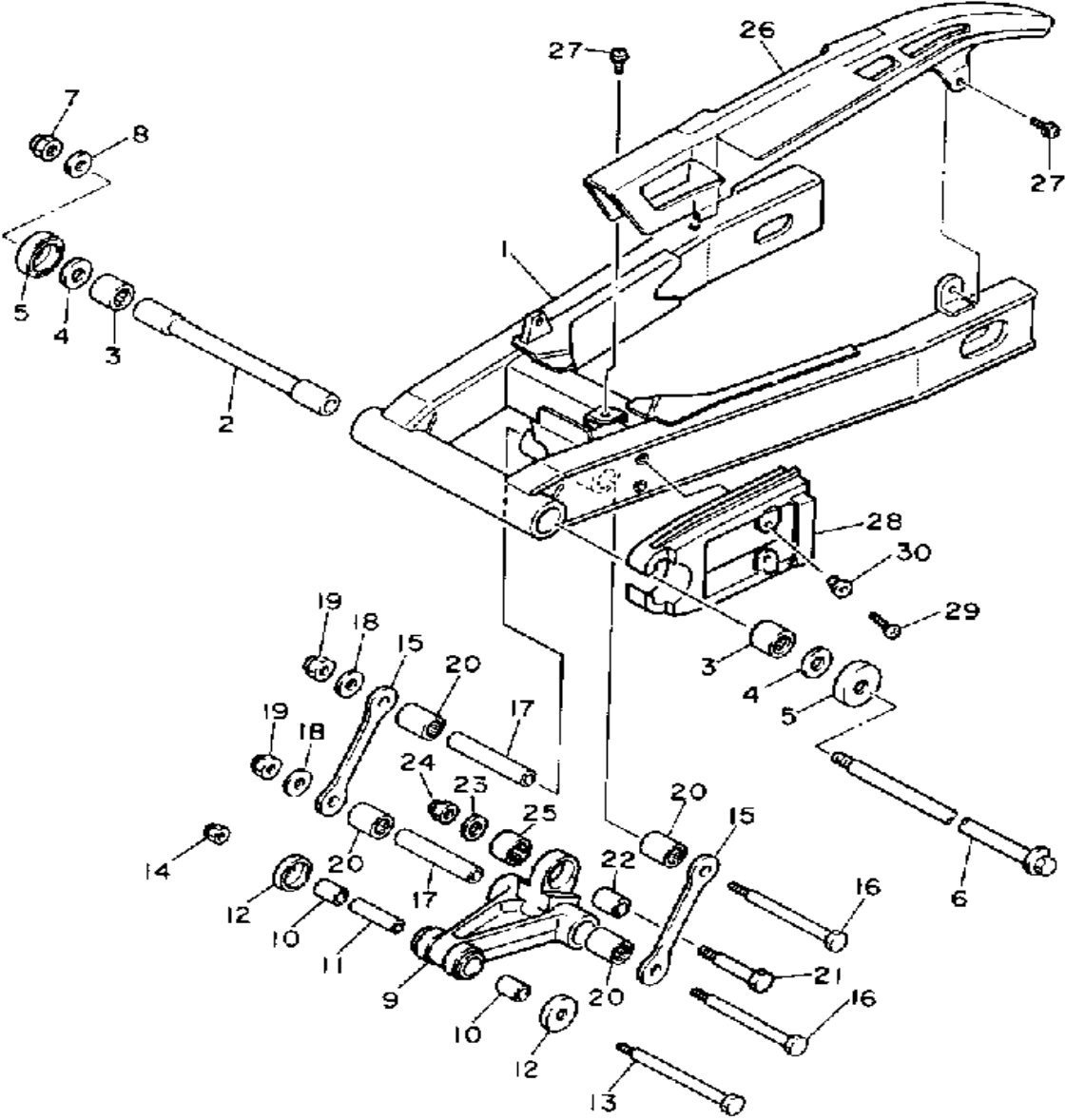


3YA332-1220

| Ref. No. | Part Number | Description | Qty | Remarks |
|----------|-----------------|--------------------------|-----|---------|
| 1 | 3XW-22110-00-35 | REAR ARM | 1 | SILVER |
| 2 | 36Y-22184-00-00 | BUSH | 1 | |
| 3 | 93317-42550-00 | BEARING | 2 | |
| 4 | 36Y-22127-00-00 | SHIM | 2 | |
| 5 | 36Y-22128-00-00 | COVER, THRUST 1 | 2 | |
| 6 | 36Y-22141-00-00 | SHAFT, PIVOT | 1 | |
| 7 | 90185-14070-00 | NUT, SELF-LOCKING | 1 | |
| 8 | 90201-142M6-00 | WASHER, PLATE | 1 | |
| 9 | 3XW-2217A-00-00 | ARM, RELAY | 1 | |
| 10 | 93315-21813-00 | BEARING | 2 | |
| 11 | 90387-123M4-00 | COLLAR | 1 | |
| 12 | 36Y-22129-00-00 | COVER, THRUST 2 | 2 | |
| 13 | 90101-12605-00 | BOLT | 1 | |
| 14 | 95611-12100-00 | NUT, U | 1 | |
| 15 | 3XW-2217M-00-00 | ARM 1 | 2 | |
| 16 | 90101-12673-00 | BOLT | 2 | |
| 17 | 90387-126T1-00 | COLLAR | 2 | |
| 18 | 90201-126A7-00 | WASHER, PLATE | 2 | |
| 19 | 95611-12100-00 | NUT, U | 2 | |
| 20 | 93317-41761-00 | BEARING | 4 | |
| 21 | 90101-12498-00 | BOLT | 1 | |
| 22 | 90387-126W4-00 | COLLAR | 1 | |
| 23 | 90201-126A7-00 | WASHER, PLATE | 1 | |
| 24 | 95611-12100-00 | NUT, U | 1 | |
| 25 | 93317-42060-00 | BEARING | 1 | |
| 26 | 36Y-22311-00-00 | CASE, CHAIN | 1 | |
| 27 | 90159-06084-00 | SCREW, WITH WASHER | 2 | |
| 28 | 2KT-22151-00-00 | SEAL, GUARD | 1 | |
| 29 | 90159-06084-00 | SCREW, WITH WASHER | 2 | |

CONTINUED ON NEXT FRAME ►

SWING ARM

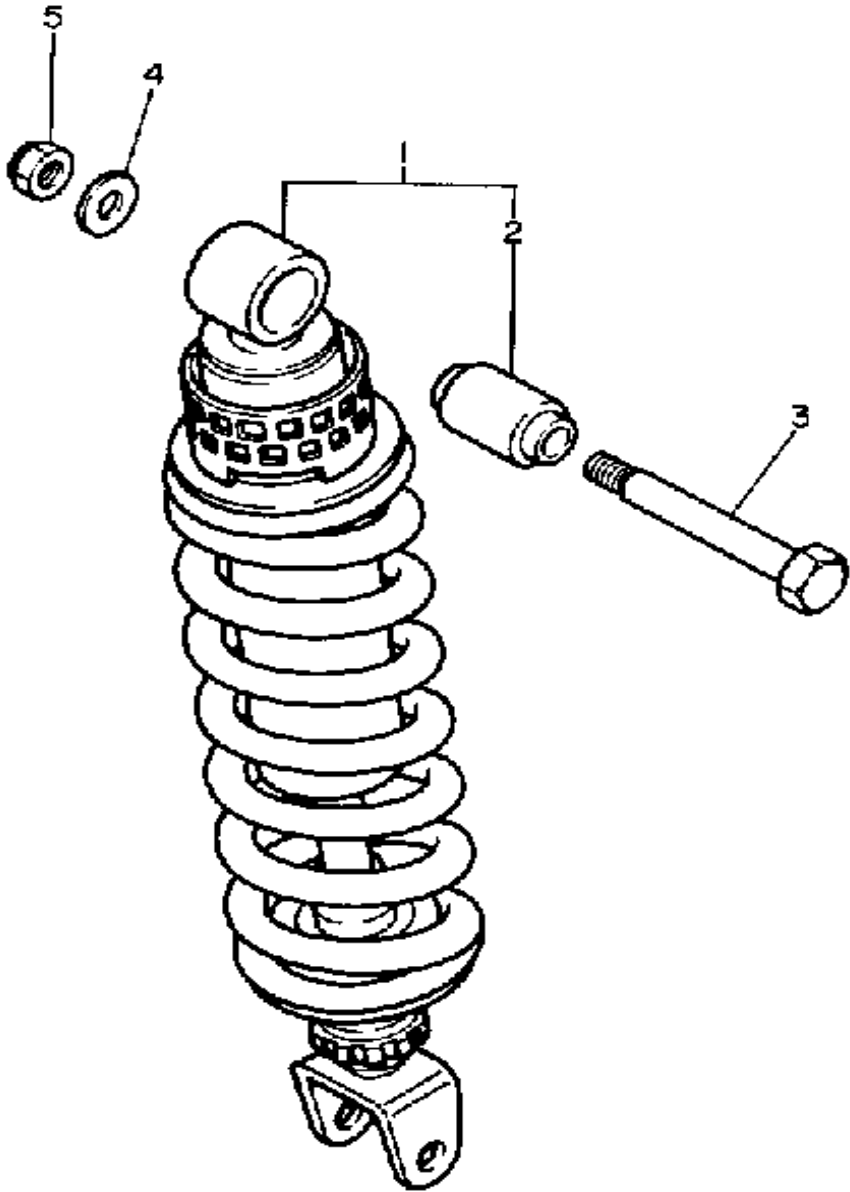


| Ref. No. | Part Number | Description | Qty | Remarks |
|----------|----------------|--------------|-----|---------|
| 30 | 90387-06681-00 | COLLAR | 2 | |



3YA332-1220

REAR SHOCKS

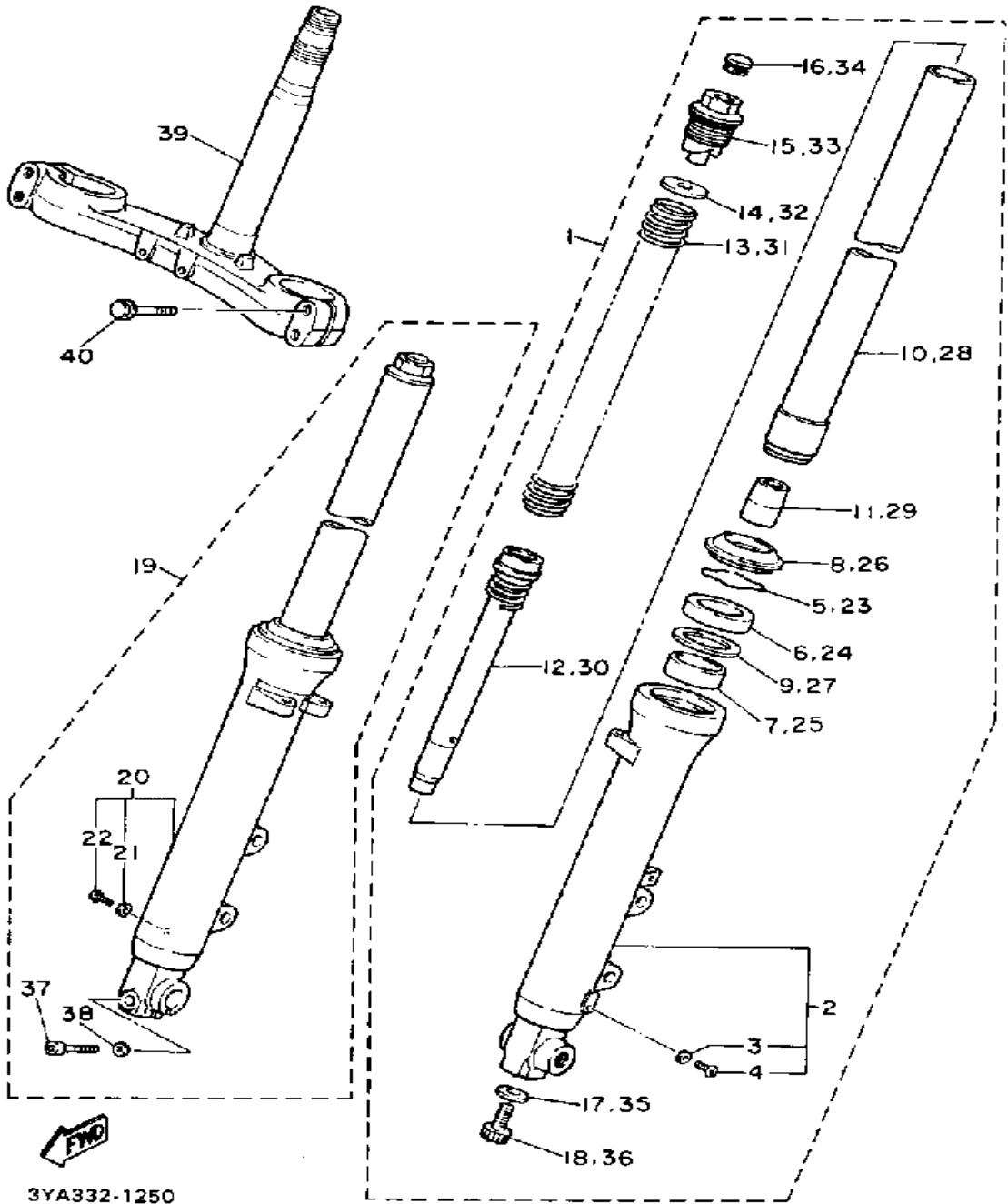


| Ref. No. | Part Number | Description | Qty | Remarks |
|----------|-----------------|----------------------------|-----|---------|
| 1 | 4CR-22210-10-00 | SHK/ABS ASSEMBLY, REARREAR | 1 | |
| 2 | 1YW-22216-00-00 | . BUSH, RR SHOCK ABS | 1 | |
| 3 | 90109-10554-00 | BOLT | 1 | |
| 4 | 90201-101J1-00 | WASHER, PLATE | 1 | |
| 5 | 95601-10100-00 | NUT, U (95602-10100-00) | 1 | |



3YA332-1230

FRONT FORK

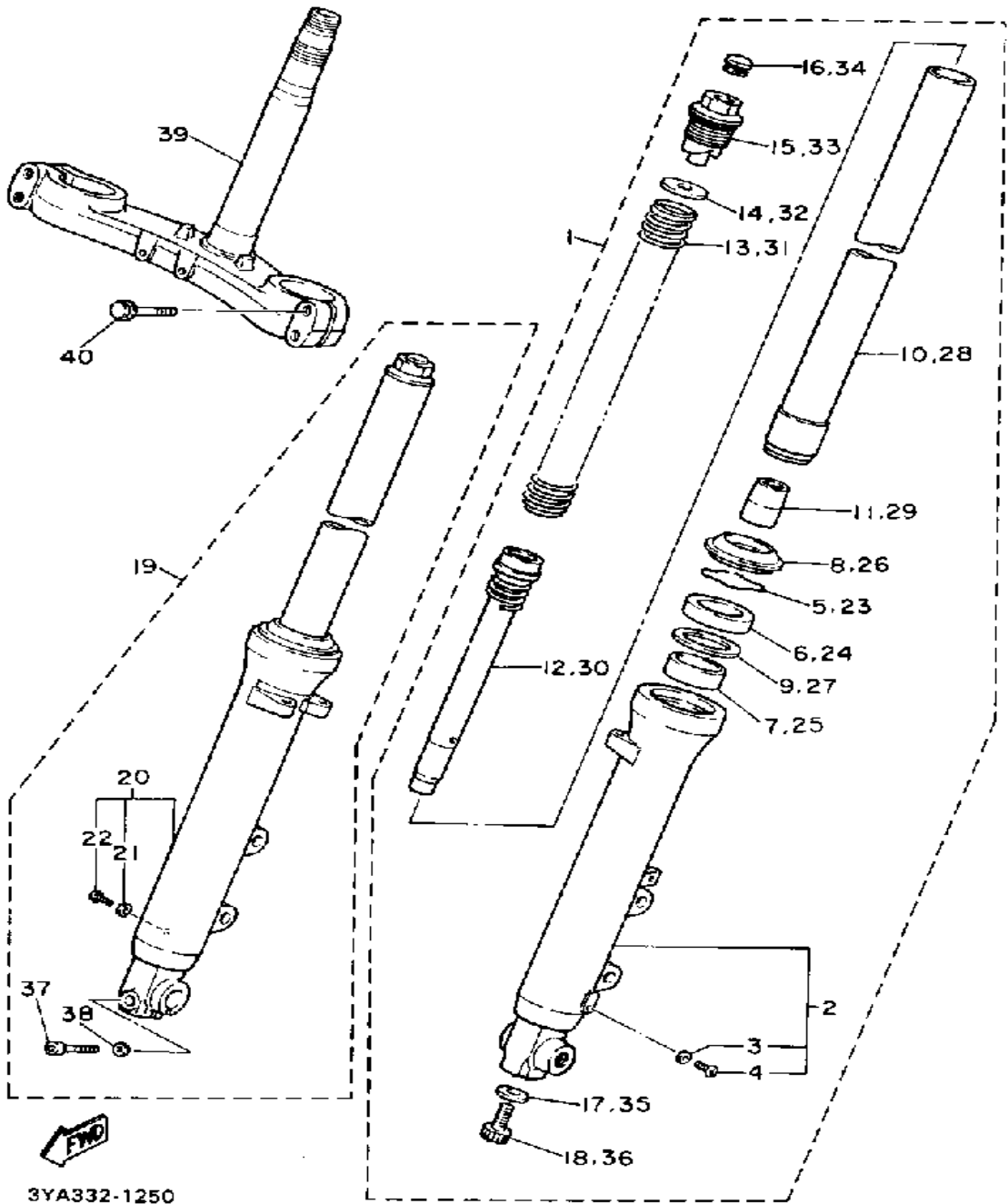


3YA332-1250

| Ref. No. | Part Number | Description | Qty | Remarks |
|----------|-----------------|--|-----|---------|
| 1 | 3XW-23102-00-00 | FRONT FORK ASSEMBLY L .. | 1 | |
| 2 | 3XW-23126-00-00 | . TUBE, OUTER 1 | 1 | |
| 3 | 122-23129-00-00 | .. GASKET, DRAIN PLUG | 1 | |
| 4 | 4H7-23119-00-00 | .. PLUG, DRAIN - (122-23119-01) | 1 | |
| 5 | 26H-23156-00-00 | . CLIP, OIL SEAL | 1 | |
| 6 | 3LC-23145-00-00 | . OIL SEAL | 1 | |
| 7 | 3JD-23125-L0-00 | . METAL, SLIDE 1 (3LC-23125-00-00) | 1 | |
| 8 | 3LC-23144-00-00 | . SEAL, DUST | 1 | |
| 9 | 36Y-23146-10-00 | . WASHER, OIL SEAL | 1 | |
| 10 | 3XW-23110-00-00 | . INNER TUBE 1 | 1 | |
| 11 | 3GM-23173-00-00 | . SPINDLE, TAPER | 1 | |
| 12 | 3XW-23170-00-00 | . CYLINDER, FRTFRK FRONT FORK | 1 | |
| 13 | 3XW-23141-00-00 | . SPRING, FRONT FORK | 1 | |
| 14 | 3XW-23149-00-00 | . WASHER, SPRING UPR | 1 | |
| 15 | 3XW-23111-00-00 | . BOLT, CAP | 1 | |
| 16 | 3GM-23168-00-00 | . CAP, FRONT FORK | 1 | |
| 17 | 4V4-23158-L0-00 | . GASKET | 1 | |
| 18 | 4V4-23181-L0-00 | . BOLT, HEXAGON SOCKET HEAD | 1 | |
| 19 | 3XW-23103-00-00 | FRONT FORK ASSEMBLY R .. | 1 | |
| 20 | 3XW-23136-00-00 | . TUBE, OUTER 2 | 1 | |
| 21 | 122-23129-00-00 | .. GASKET, DRAIN PLUG | 1 | |
| 22 | 4H7-23119-00-00 | .. PLUG, DRAIN - (122-23119-01) | 1 | |
| 23 | 26H-23156-00-00 | . CLIP, OIL SEAL | 1 | |
| 24 | 3LC-23145-00-00 | . OIL SEAL | 1 | |
| 25 | 3JD-23125-L0-00 | . METAL, SLIDE 1 (3LC-23125-00-00) | 1 | |

CONTINUED ON NEXT FRAME ►

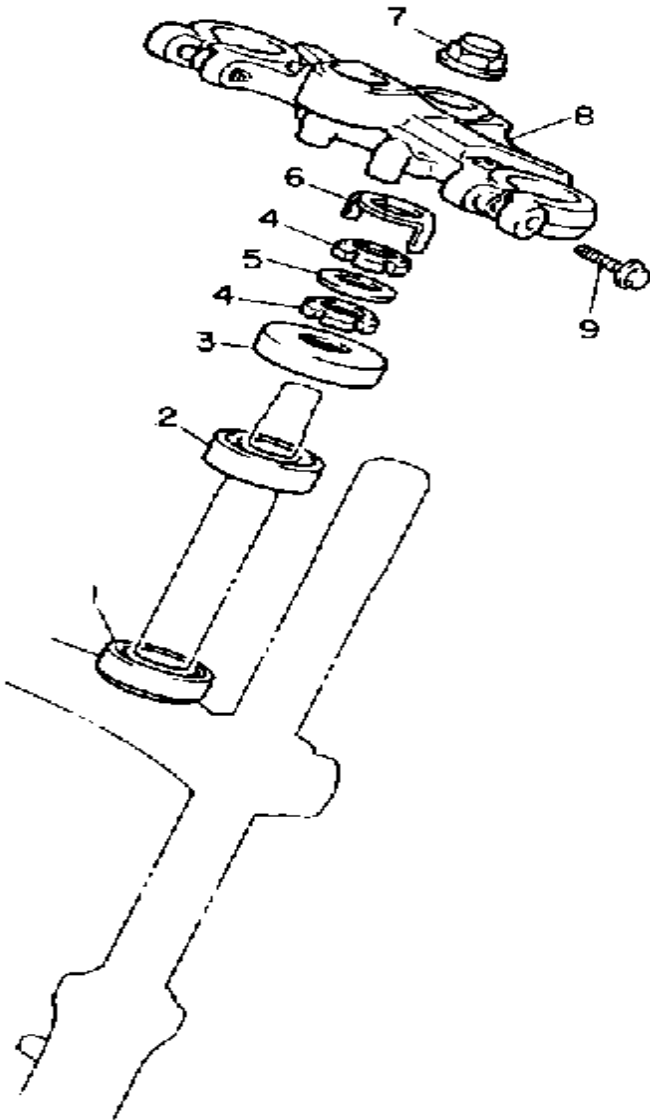
FRONT FORK



| Ref. No. | Part Number | Description | Qty | Remarks |
|----------|-----------------|-------------------------------|-----|---------|
| 26 | 3LC-23144-00-00 | . SEAL, DUST | 1 | |
| 27 | 36Y-23146-10-00 | . WASHER, OIL SEAL | 1 | |
| 28 | 3XW-23110-00-00 | . INNER TUBE 1 | 1 | |
| 29 | 3GM-23173-00-00 | . SPINDLE, TAPER | 1 | |
| 30 | 3XW-23170-00-00 | . CYLINDER, FRTFRK FRONT FORK | 1 | |
| 31 | 3XW-23141-00-00 | . SPRING, FRONT FORK | 1 | |
| 32 | 3XW-23149-00-00 | . WASHER, SPRING UPR | 1 | |
| 33 | 3XW-23111-00-00 | . BOLT, CAP | 1 | |
| 34 | 3GM-23168-00-00 | . CAP, FRONT FORK | 1 | |
| 35 | 4V4-23158-L0-00 | . GASKET | 1 | |
| 36 | 4V4-23181-L0-00 | . BOLT, HEXAGON SOCKET HEAD | 1 | |
| 37 | 91311-08045-00 | . BOLT | 1 | |
| 38 | 90201-08085-00 | . WASHER, PLATE | 1 | |
| 39 | 3XW-23340-00-00 | UNDER BRACKET | 1 | |
| 40 | 1AE-23128-00-00 | BOLT, AXLE HOLDER | 4 | |

3YA332-1250

STEERING

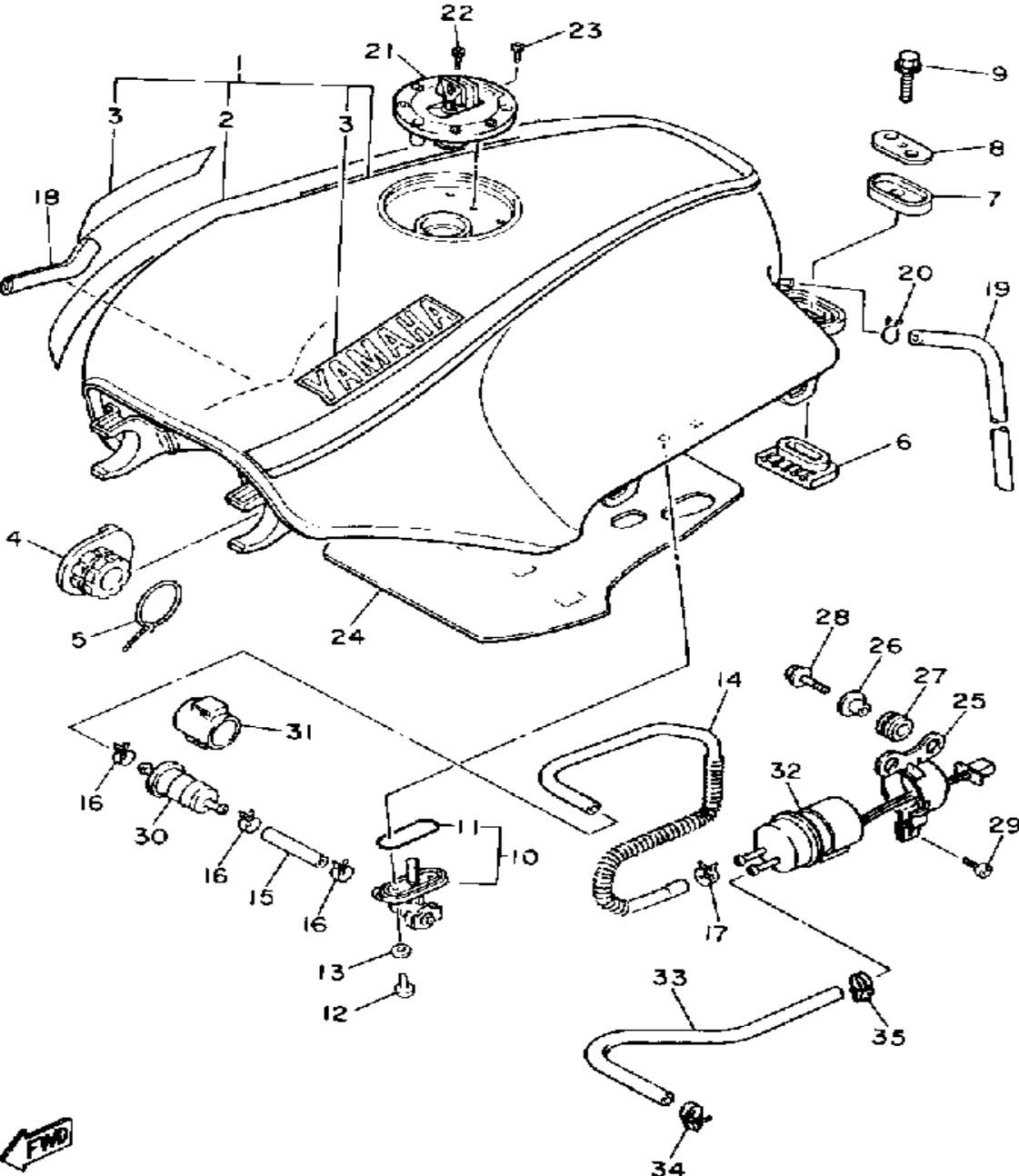


| Ref. No. | Part Number | Description | Qty | Remarks |
|----------|-----------------|--------------------------|-----|---------|
| 1 | 93332-00008-00 | BEARING | 1 | |
| 2 | 93332-00001-00 | BEARING | 1 | |
| 3 | 1J7-23415-00-00 | COVER, BALL RACE 1 | 1 | |
| 4 | 90179-25033-00 | NUT | 2 | |
| 5 | 90202-26142-00 | WASHER, PLATE | 1 | |
| 6 | 26H-23418-01-00 | WASHER, SPECIAL | 1 | |
| 7 | 90179-22455-00 | NUT, SPEC'L SHAPE | 1 | |
| 8 | 47M-23435-00-00 | CROWN, HANDLE | 1 | |
| 9 | 95026-08045-00 | BOLT, FLANGE | 2 | |



3YA332-1240

FUEL TANK (NON-CALIFORNIA MODEL)

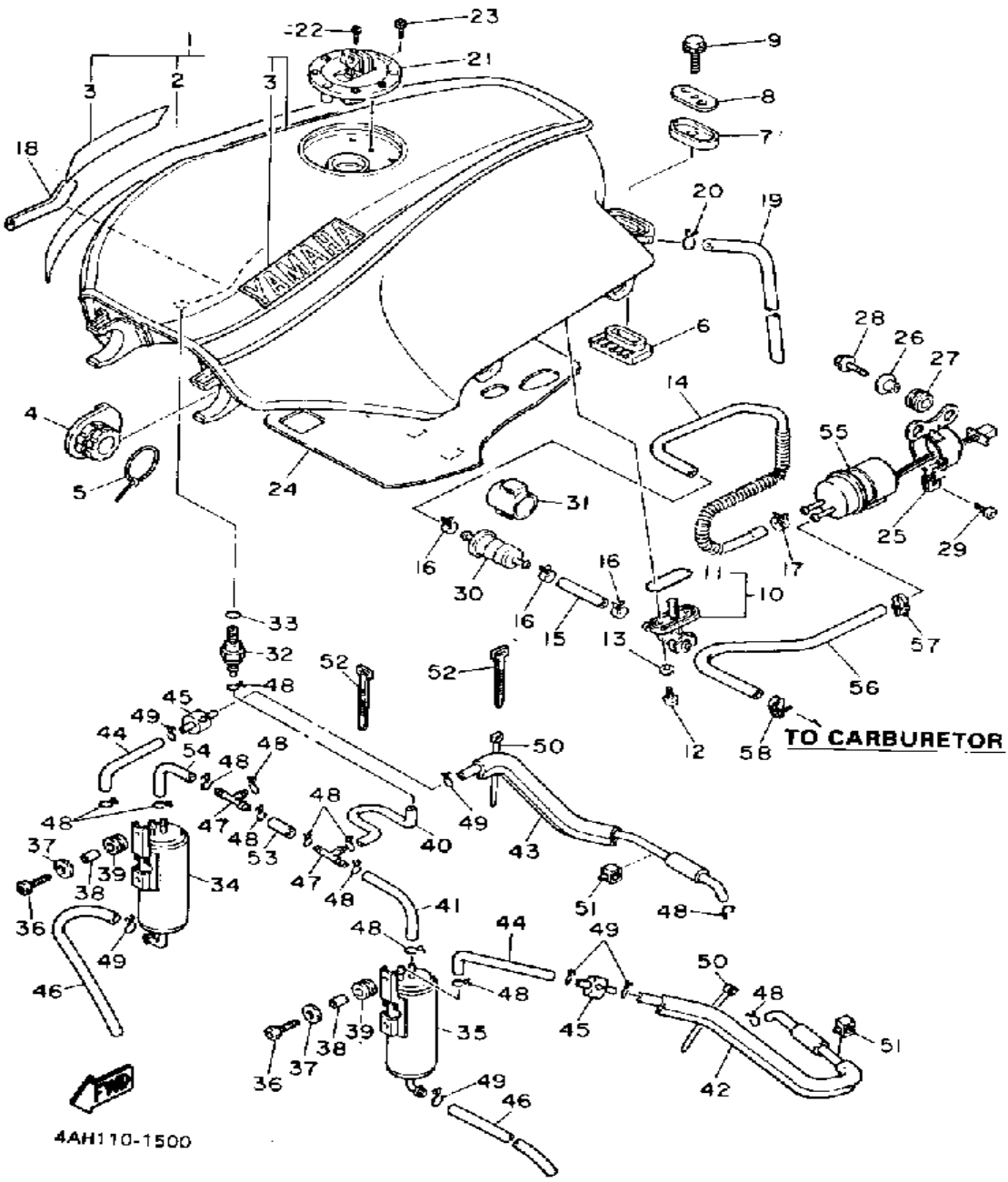


3YY351-1260

| Ref. No. | Part Number | Description | Qty | Remarks |
|----------|-----------------|---------------------------------------|-----|--------------------------------|
| 1 | 3CV-24110-00-X1 | FUEL TANK | 1 | MARBLE SILVER/DARK VIOLET COCK |
| 2 | 3XW-24244-20-00 | . GRAPHIC, FUEL TNK 1 | 1 | |
| 3 | 99224-00040-00 | . EMBLEM, YAMAHA YAMAHA (BLACK) | 2 | |
| 4 | 36Y-24181-01-00 | DAMPER, LOCATING 1 | 2 | |
| 5 | 12R-82591-00-00 | BAND | 2 | |
| 6 | 36Y-24182-00-00 | DAMPER, LOCATING 2 | 2 | |
| 7 | 3Y6-24183-00-00 | DAMPER, LOCATING 3 | 2 | |
| 8 | 36Y-24186-00-00 | WASHER, SPECIAL | 2 | |
| 9 | 95816-06030-00 | BOLT, FLANGE | 2 | |
| 10 | 26H-24500-00-00 | FUEL COCK ASSEMBLY 1 ... | 1 | |
| 11 | 214-24512-00-00 | . GASKET | 1 | |
| 12 | 90149-06011-00 | SCREW | 2 | |
| 13 | 90202-05187-00 | WASHER, PLATE | 2 | |
| 14 | 3CV-24310-00-00 | FUEL PIPE ASSEMBLY | 1 | |
| 15 | 90445-136F8-00 | HOSE | 1 | |
| 16 | 90467-11044-00 | CLIP | 3 | |
| 17 | 90467-10091-00 | CLIP, SCISSOR | 1 | |
| 18 | 1HX-24188-01-00 | MOLD, FUEL TANK | 1 | |
| 19 | 90445-105G5-00 | HOSE | 1 | |
| 20 | 90467-09006-00 | CLIP | 1 | |
| 21 | 1JK-24602-13-00 | CAP ASSEMBLY | 1 | |
| 22 | 90110-05112-00 | BOLT, HEXAGON SOCKET HEAD | 3 | |
| 23 | 91311-05010-00 | BOLT, SOCKET HEAD | 1 | |
| 24 | 3CV-24125-00-00 | SEAL, AIR SHROUD 1 | 1 | |
| 25 | 3CV-24491-00-00 | BRACKET, FUEL PUMP | 1 | |
| 26 | 90387-062L2-00 | COLLAR | 2 | |

CONTINUED ON NEXT FRAME ►

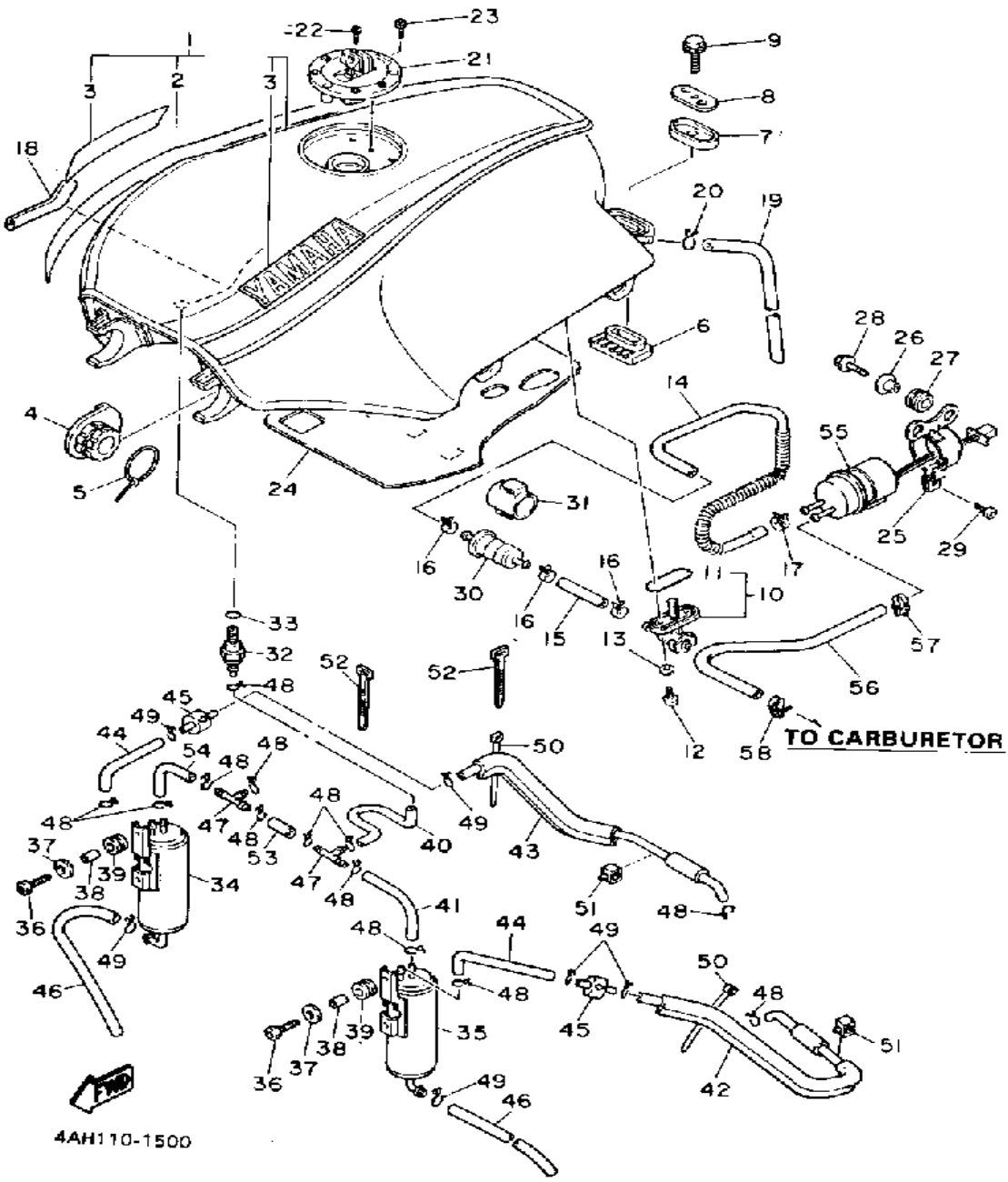
FUEL TANK (CALIFORNIA MODEL ONLY)



| Ref. No. | Part Number | Description | Qty | Remarks |
|----------|-----------------|---------------------------------------|-----|--------------------------------|
| 1 | 3SK-24110-00-08 | FUEL TANK | 1 | MARBLE SILVER/DARK VIOLET COCK |
| 2 | 3XW-24244-20-00 | . GRAPHIC, FUEL TNK 1 | 1 | |
| 3 | 99224-00040-00 | . EMBLEM, YAMAHA YAMAHA (BLACK) | 2 | |
| 4 | 36Y-24181-01-00 | DAMPER, LOCATING 1 | 2 | |
| 5 | 12R-82591-00-00 | BAND | 2 | |
| 6 | 36Y-24182-00-00 | DAMPER, LOCATING 2 | 2 | |
| 7 | 3Y6-24183-00-00 | DAMPER, LOCATING 3 | 2 | |
| 8 | 36Y-24186-00-00 | WASHER, SPECIAL | 2 | |
| 9 | 95816-06030-00 | BOLT, FLANGE | 2 | |
| 10 | 26H-24500-00-00 | FUEL COCK ASSEMBLY 1 ... | 1 | |
| 11 | 214-24512-00-00 | . GASKET | 1 | |
| 12 | 90149-06011-00 | SCREW | 2 | |
| 13 | 90202-05187-00 | WASHER, PLATE | 2 | |
| 14 | 3CV-24310-00-00 | FUEL PIPE ASSEMBLY | 1 | |
| 15 | 90445-136F8-00 | HOSE | 1 | |
| 16 | 90467-11044-00 | CLIP | 3 | |
| 17 | 90467-10091-00 | CLIP, SCISSOR | 1 | |
| 18 | 1HX-24188-01-00 | MOLD, FUEL TANK | 1 | |
| 19 | 90445-105G5-00 | HOSE | 1 | |
| 20 | 90467-09006-00 | CLIP | 1 | |
| 21 | 1LJ-24602-03-00 | CAP ASSEMBLY | 1 | |
| 22 | 90110-05112-00 | BOLT, HEXAGON SOCKET HEAD | 3 | |
| 23 | 91311-05010-00 | BOLT, SOCKET HEAD | 1 | |
| 24 | 3CV-24125-00-00 | SEAL, AIR SHROUD 1 | 1 | |
| 25 | 3CV-24491-00-00 | BRACKET, FUEL PUMP | 1 | |
| 26 | 90387-062L2-00 | COLLAR | 2 | |

CONTINUED ON NEXT FRAME ➤

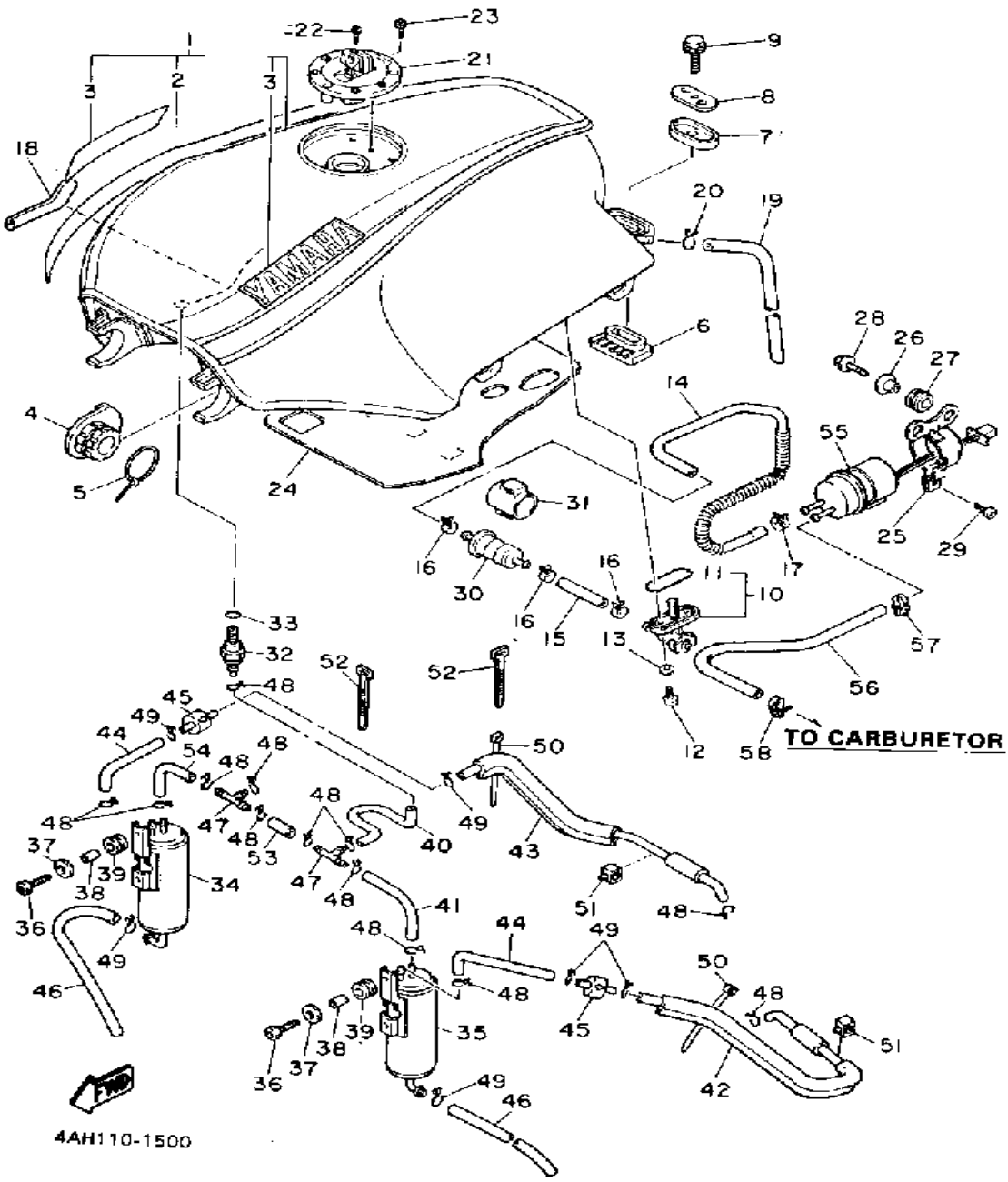
FUEL TANK (CALIFORNIA MODEL ONLY)



| Ref. No. | Part Number | Description | Qty | Remarks |
|----------|-------------------|----------------------------|-----|---------|
| 27 | 90480-13163-00 | GROMMET | 2 | |
| 28 | 95811-06016-00 | BOLT, FLANGE (95822-06016) | 2 | |
| 29 | 98580-05010-00 | SCREW, PAN HEAD | 1 | |
| 30 | 1FK-24560-00-00 | FILTER ASSEMBLY | 1 | |
| 31 | 1FK-24566-00-00 | BRACKET, FILTER | 1 | |
| 32 | 20K-24180-00-00 | ROLL OVER VALVE ASSEMBLY | 1 | |
| 33 | 93210-10166-00 | O-RING | 1 | |
| 34 | (1WJ-24170-00-00) | UNAVAILABLE IN PRICE BOOK | 1 | |
| 35 | 1WJ-24170-50-00 | CANISTER ASSEMBLY | 1 | |
| 36 | 91316-06016-00 | BOLT, SOCKET HEAD | 4 | |
| 37 | 90201-063J2-00 | WASHER, PLATE | 4 | |
| 38 | 90387-060G7-00 | COLLAR | 4 | |
| 39 | 90480-12529-00 | GROMMET | 4 | |
| 40 | 47M-24311-01-00 | PIPE, FUEL 1 | 1 | |
| 41 | 90445-11542-00 | HOSE | 1 | |
| 42 | 1WJ-24312-02-00 | PIPE 2 | 1 | |
| 43 | 1WJ-24315-01-00 | PIPE 5 | 1 | |
| 44 | 1WJ-24313-01-00 | PIPE 3 | 2 | |
| 45 | 1WJ-14895-00-00 | VALVE, OUTER VENT CONTROL | 2 | |
| 46 | 90445-11182-00 | HOSE | 2 | |
| 47 | 3H3-24376-00-00 | PIPE, JOINT 1 | 2 | |
| 48 | 90467-10008-00 | CLIP | 13 | |
| 49 | 90467-11106-00 | CLIP | 6 | |
| 50 | 90465-13169-00 | CALMP | 2 | |
| 51 | 90464-08020-00 | CLAMP | 2 | |
| 52 | 90464-14117-00 | CLAMP | 2 | |
| 53 | 90445-11697-00 | HOSE | 1 | |

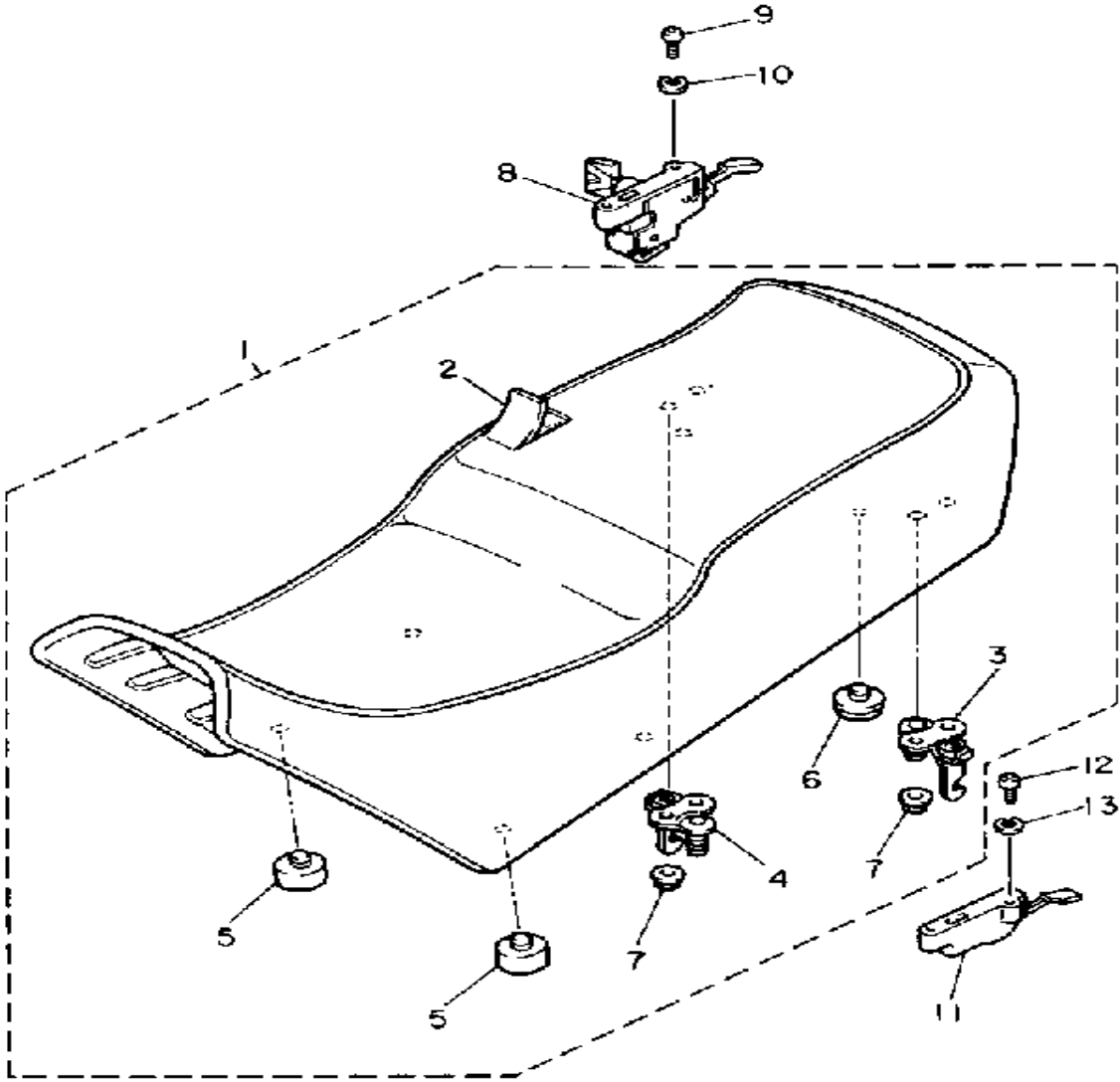
CONTINUED ON NEXT FRAME ►

FUEL TANK (CALIFORNIA MODEL ONLY)



| Ref. No. | Part Number | Description | Qty | Remarks |
|----------|-----------------|----------------------|-----|---------|
| 54 | 90445-11701-00 | HOSE | 1 | |
| 55 | 3CV-13907-00-00 | FUEL PUMP COMP. | 1 | |
| 56 | 90445-125F9-00 | HOSE | 1 | |
| 57 | 90467-11090-00 | CLIP | 1 | |
| 58 | 90467-11090-00 | CLIP | 1 | |

SEAT

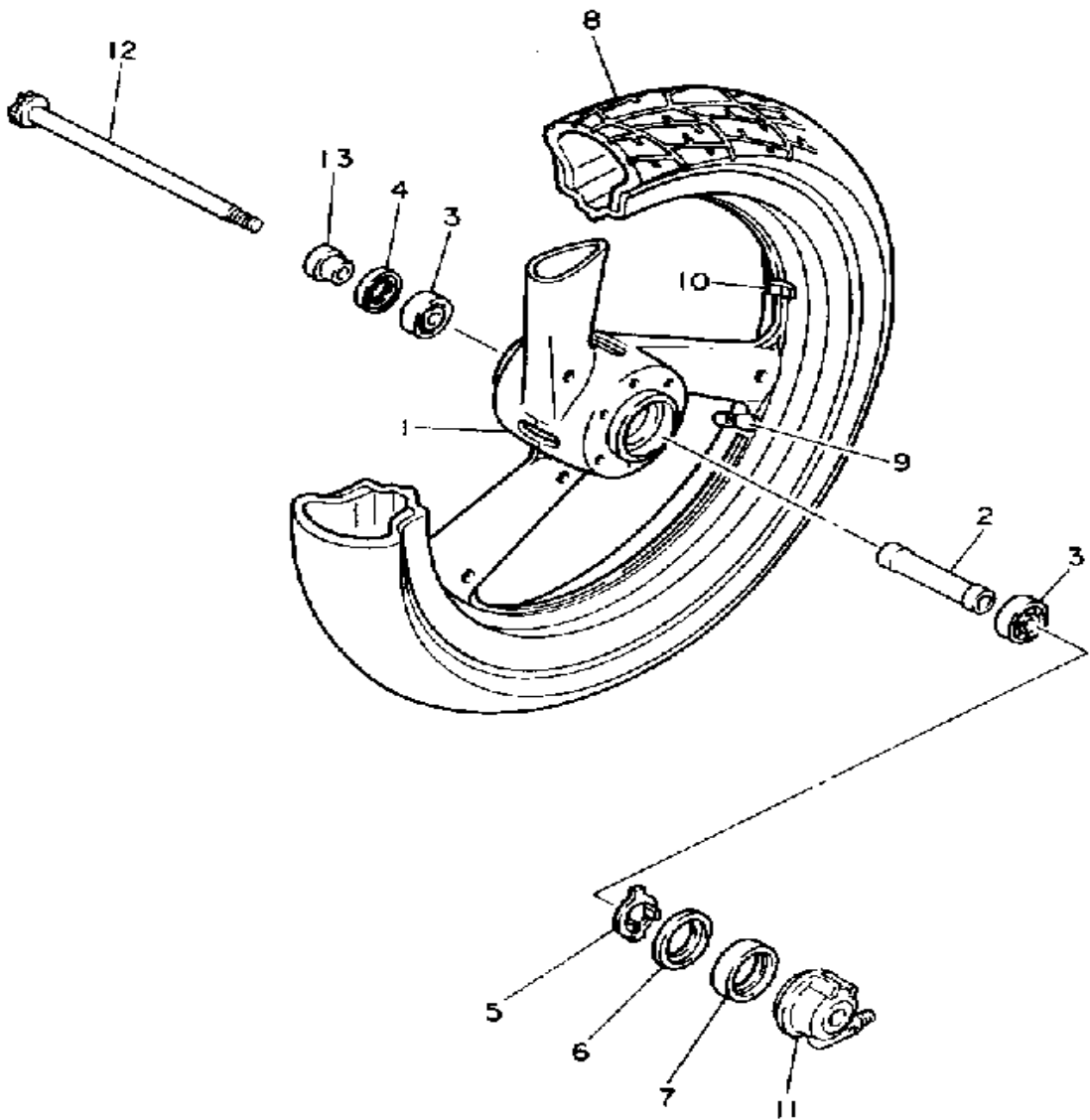


| Ref. No. | Part Number | Description | Qty | Remarks |
|----------|-----------------|---|-----|---------|
| 1 | 3CV-24730-00-00 | DOUBLE SEAT ASSEMBLY ... | 1 | |
| 2 | 3CV-24731-40-00 | . COVER, DOUBLE SEAT | 1 | |
| 3 | 36Y-24728-00-00 | . BRACKET, SEAT | 1 | |
| 4 | 36Y-24738-00-00 | . BRACKET, SEAT | 1 | |
| 5 | 1T4-24741-00-00 | . PAD, SEAT | 4 | |
| 6 | 1L9-24741-00-00 | . PAD, SEAT | 2 | |
| 7 | 95701-06500-00 | . NUT, FLANGE | 4 | |
| 8 | 36Y-24705-00-00 | SEAT LOCK ASSEMBLY. | 1 | |
| 9 | 98502-06016-00 | SCREW, PAN HEAD (98501-06014-00) | 2 | |
| 10 | 92995-06100-00 | WASHER, SPRING | 2 | |
| 11 | 36Y-24760-00-00 | SEAT LEVER ASSEMBLY | 1 | |
| 12 | 98502-06016-00 | SCREW, PAN HEAD (98501-06014-00) | 2 | |
| 13 | 92995-06100-00 | WASHER, SPRING | 2 | |



3CV1310-8270

FRONT WHEEL

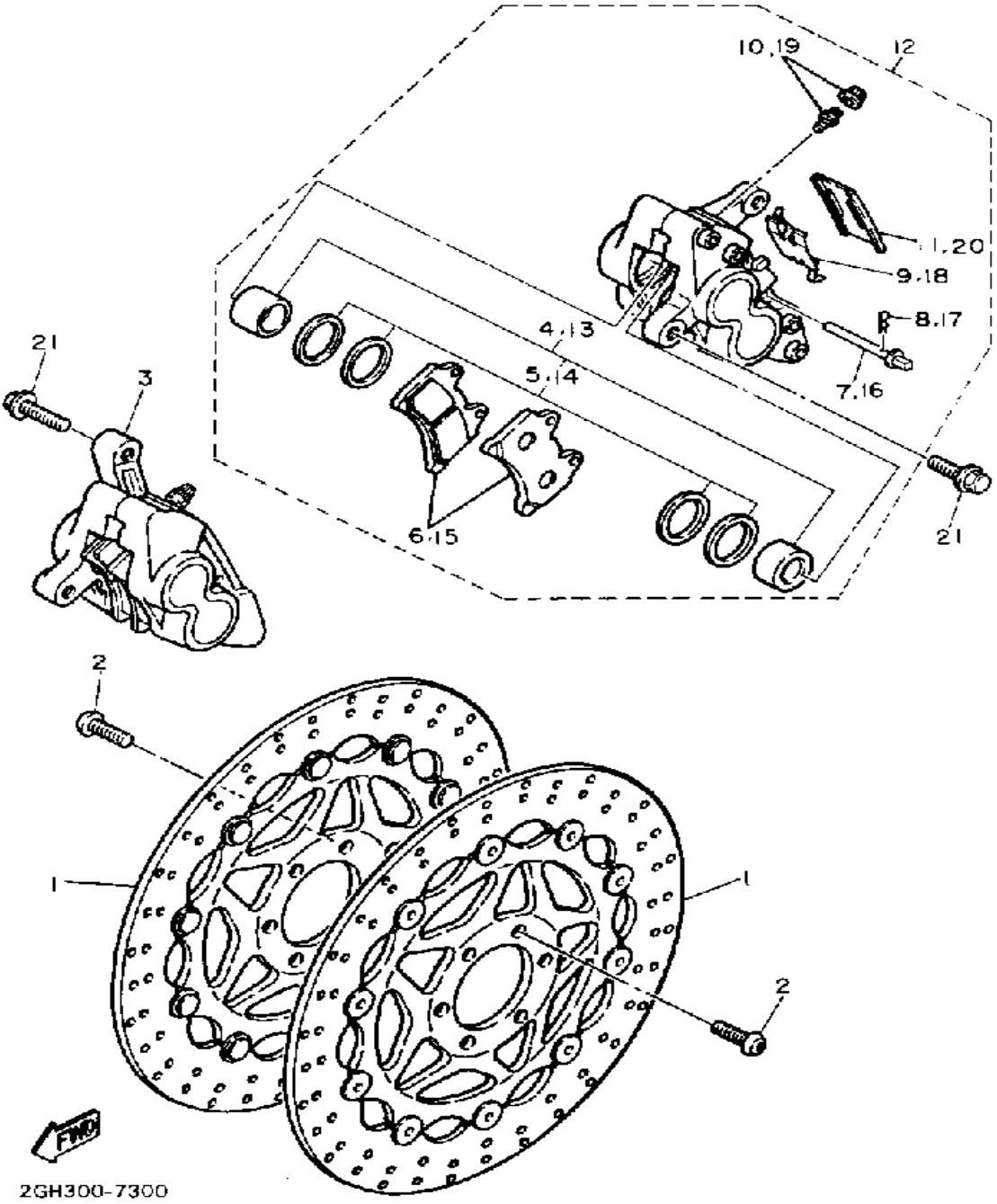


| Ref. No. | Part Number | Description | Qty | Remarks |
|----------|-----------------|--|-----|----------------|
| 1 | 3CV-25168-00-WG | WHEEL, CAST FRONT | 1 | HI TECH SILVER |
| 2 | 90560-15255-00 | SPACER | 1 | |
| 3 | 93306-30202-00 | BEARING | 2 | |
| 4 | 93102-22014-00 | OIL SEAL | 1 | |
| 5 | 341-25149-00-00 | CLUTCH, METER | 1 | |
| 6 | 341-25846-00-00 | RETAINER, CLUTCH | 1 | |
| 7 | 93105-45017-00 | OIL SEAL | 1 | |
| 8 | 94112-175X8-00 | 120/70V17V250K275D (120/70V17-V250 K275F) | 1 | DUNLOP |
| 9 | 93900-00030-00 | VALVE, RIM | 1 | |
| 10 | 29L-25398-00-00 | BALANCER, WHEEL (10G) | 1 | UN |
| | 29L-25398-10-00 | BALANCER, WHEEL (20G) | 1 | UN |
| | 29L-25398-20-00 | BALANCER, WHEEL (30G) | 1 | UN |
| 11 | 1WG-25190-00-00 | GEAR UNIT ASSEMBLY | 1 | |
| 12 | 18G-25381-00-00 | AXLE, WHEEL | 1 | |
| 13 | 90387-15550-00 | COLLAR | 1 | |



3CV1310-8280

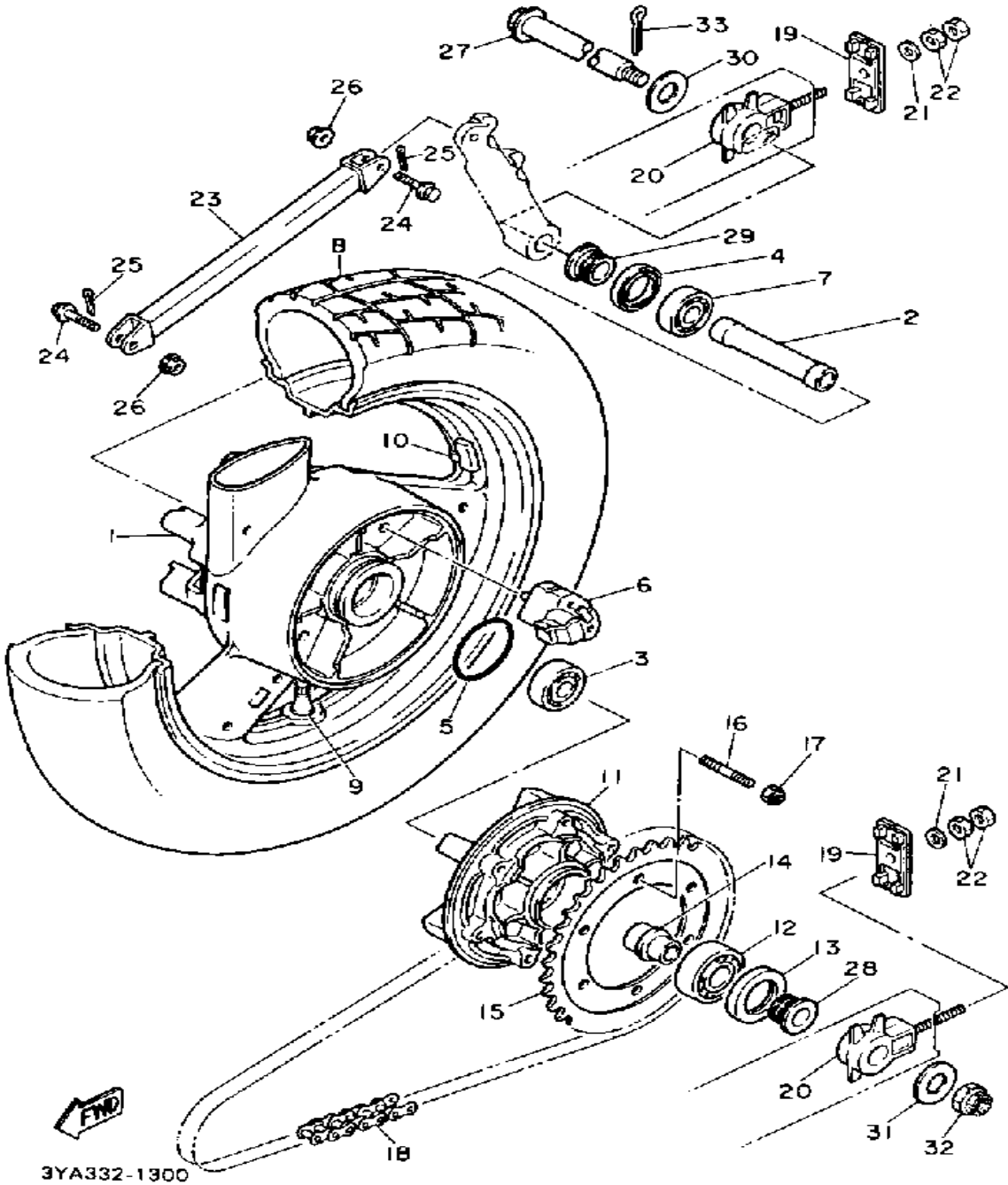
FRONT BRAKE CALIPER



| Ref. No. | Part Number | Description | Qty | Remarks |
|----------|-----------------|--------------------------------|-----|---------|
| 1 | 3HE-2581T-00-00 | DISC BRAKE ASSEMBLY | 2 | |
| 2 | 90109-08718-00 | BOLT | 12 | |
| 3 | 3XW-2580T-00-00 | CALIPER ASSEMBLY LEFT (LEFT) | 1 | |
| 4 | 1NL-W0057-00-00 | . PISTON ASSEMBLY, CALIPER | 2 | |
| 5 | 1NL-W0047-00-00 | . . CALIPER SEAL KIT | 1 | |
| 6 | 2GH-W0045-01-00 | . BRAKE PAD KIT, FRNT | 1 | |
| 7 | 3HE-25924-00-00 | . PIN, PAD | 2 | |
| 8 | 3GM-25925-00-00 | . CLIP | 2 | |
| 9 | 2GH-25919-00-00 | . SUPPORT, PAD | 1 | |
| 10 | 1J3-W0048-00-00 | . BLEED SCREW KIT | 1 | |
| 11 | 1KT-25836-00-00 | . COVER, DUST | 1 | |
| 12 | 3XW-2580U-00-00 | CALIPER ASSEMBLY RIGHT (RIGHT) | 1 | |
| 13 | 1NL-W0057-00-00 | . PISTON ASSEMBLY, CALIPER | 2 | |
| 14 | 1NL-W0047-00-00 | . . CALIPER SEAL KIT | 1 | |
| 15 | 2GH-W0045-01-00 | . BRAKE PAD KIT, FRNT | 1 | |
| 16 | 3HE-25924-00-00 | . PIN, PAD | 2 | |
| 17 | 3GM-25925-00-00 | . CLIP | 2 | |
| 18 | 2GH-25919-00-00 | . SUPPORT, PAD | 1 | |
| 19 | 1J3-W0048-00-00 | . BLEED SCREW KIT | 1 | |
| 20 | 1KT-25836-00-00 | . COVER, DUST | 1 | |
| 21 | 90105-10638-00 | BOLT, WASHER BASED | 4 | |

2GH300-7300

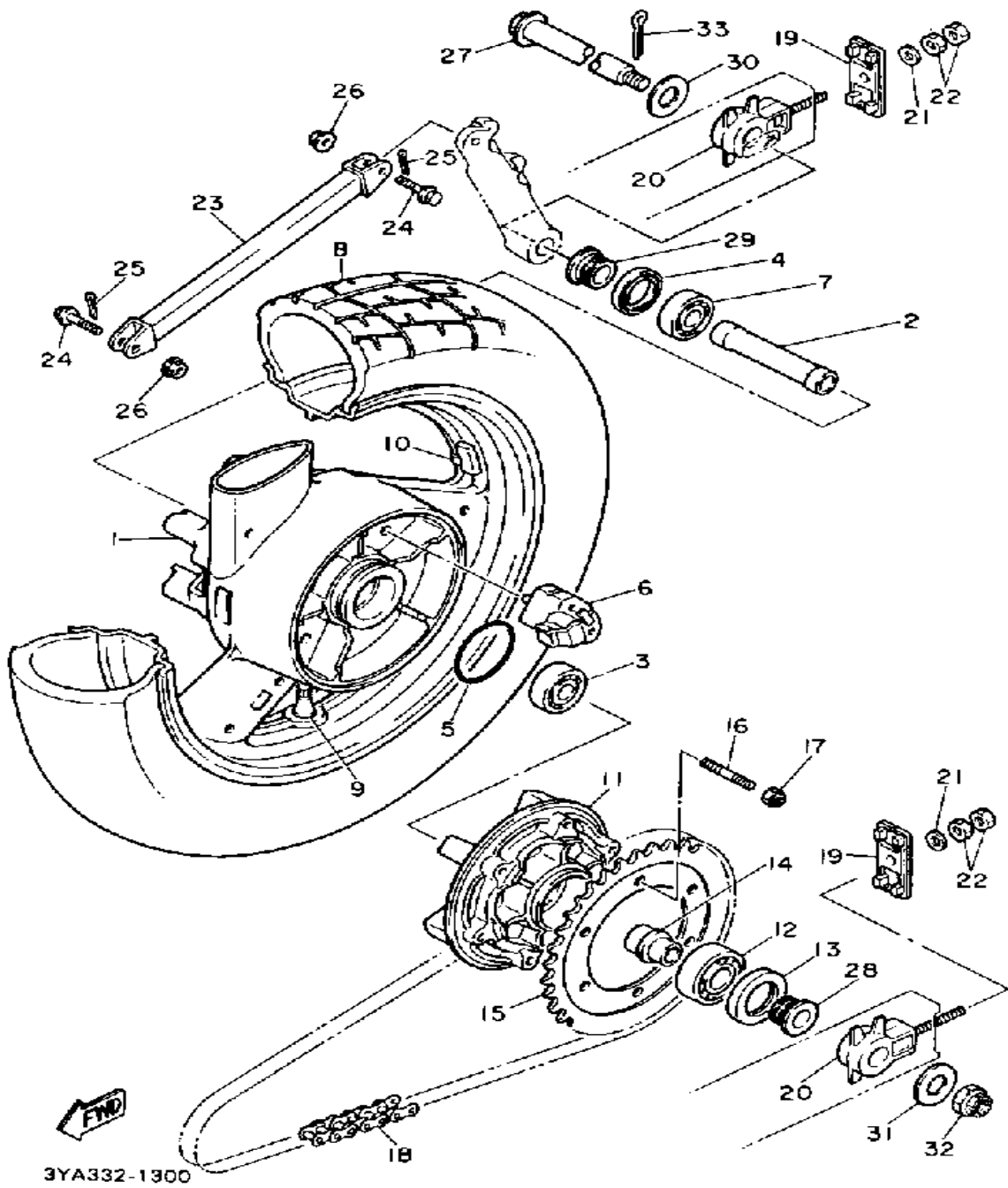
REAR WHEEL



| Ref. No. | Part Number | Description | Qty | Remarks |
|----------|-----------------|---|-----|----------------|
| 1 | 3CV-25338-00-WG | WHEEL, CAST REAR | 1 | HI TECH SILVER |
| 2 | 90560-20339-00 | SPACER | 1 | |
| 3 | 93306-30417-00 | BEARING (B6304ZZ) | 1 | |
| 4 | 93106-30029-00 | OIL SEAL | 1 | |
| 5 | 93210-65752-00 | O-RING | 1 | |
| 6 | 2GH-25364-00-00 | DAMPER | 5 | |
| 7 | 93306-30437-00 | BEARING | 1 | |
| 8 | 94115-165X7-00 | 150/80V16V250K275D (150/80V16-V250 K275) | 1 | DUNLOP |
| 9 | 93900-00030-00 | VALVE, RIM | 1 | |
| 10 | 29L-25398-00-00 | BALANCER, WHEEL (10G) | 1 | UN |
| | 29L-25398-10-00 | BALANCER, WHEEL (20G) | 1 | UN |
| | 29L-25398-20-00 | BALANCER, WHEEL (30G) | 1 | UN |
| 11 | 36Y-25366-01-00 | CLUTCH, HUB | 1 | |
| 12 | 93306-30562-00 | BEARING | 1 | |
| 13 | 93106-35030-00 | OIL SEAL | 1 | |
| 14 | 36Y-25377-00-00 | COLLAR, WHEEL | 1 | |
| 15 | 1TX-25440-20-00 | SPROCKET, DRIVN 40T | 1 | |
| 16 | 90116-10485-00 | BOLT, STUD | 6 | |
| 17 | 95601-10200-00 | NUT, SELF-LOCKING | 6 | |
| 18 | 94580-94110-00 | D1D50ZL-110LFJ12 0 | 1 | |
| 19 | 3HE-22174-00-00 | END 1 | 2 | |
| 20 | 3XW-25388-00-00 | PULLER, CHAIN 1 | 2 | |
| 21 | 92990-08200-00 | WASHER, PLAIN | 2 | |
| 22 | 95333-08600-00 | NUT | 4 | |
| 23 | 36Y-25371-00-00 | BAR, TENSION | 1 | |
| 24 | 90105-08321-00 | BOLT, WASHER BASED | 2 | |
| 25 | 91490-20020-00 | PIN, COTTER | 2 | |
| 26 | 95701-08500-00 | NUT, FLANGE | 2 | |

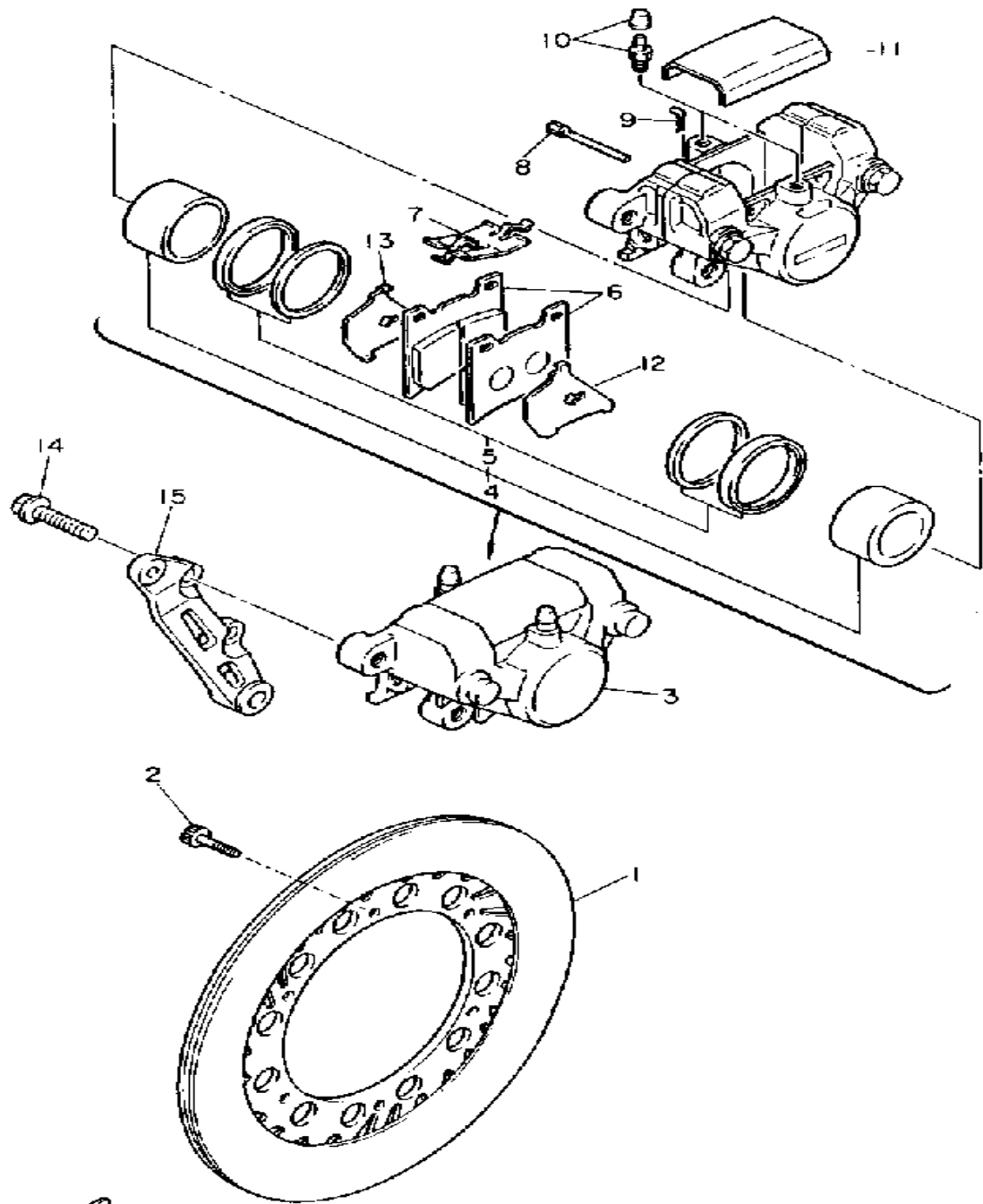
CONTINUED ON NEXT FRAME ►

REAR WHEEL



| Ref. No. | Part Number | Description | Qty | Remarks |
|----------|-----------------|---------------|-----|---------|
| 27 | 36Y-25381-00-00 | AXLE, WHEEL | 1 | |
| 28 | 90387-203X0-00 | COLLAR | 1 | |
| 29 | 90387-202X9-00 | COLLAR | 1 | |
| 30 | 90201-200P6-00 | WASHER, PLATE | 1 | |
| 31 | 90201-180P5-00 | WASHER, PLATE | 1 | |
| 32 | 90171-18043-00 | NUT, CASTLE | 1 | |
| 33 | 91401-40040-00 | PIN, COTTER | 1 | |

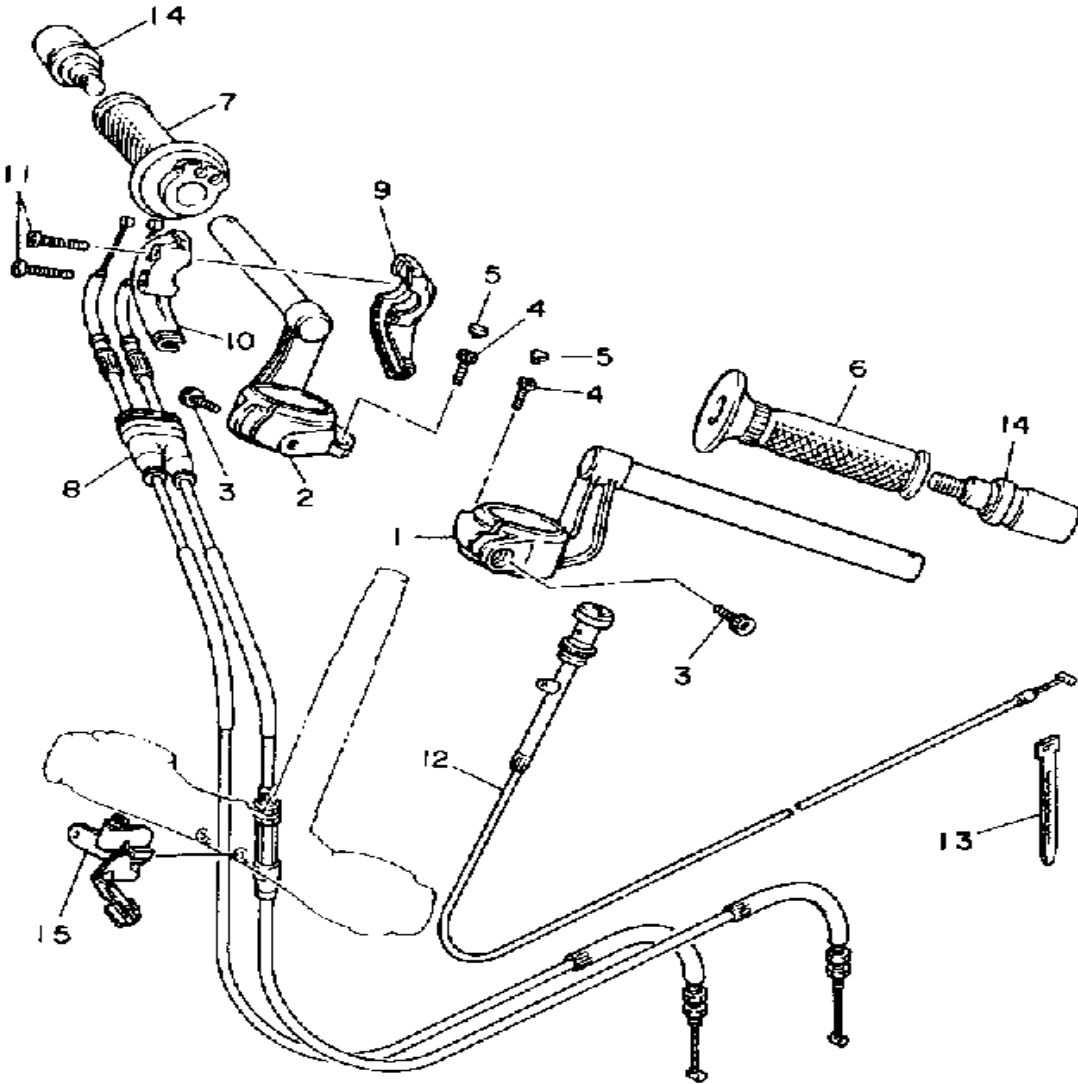
REAR BRAKE CALIPER



| Ref. No. | Part Number | Description | Qty | Remarks |
|----------|-----------------|----------------------------|-----|---------|
| 1 | 36Y-25831-00-00 | DISC, BRAKE RH | 1 | |
| 2 | 90109-08718-00 | BOLT | 6 | |
| 3 | 3XW-2580W-00-00 | CALIPER ASSEMBLY REA 2 .. | 1 | |
| 4 | 31A-W0057-00-00 | . PISTON ASSEMBLY, CALIPER | 1 | |
| 5 | 31A-W0047-00-00 | .. CALIPER SEAL KIT | 1 | |
| 6 | 1FK-W0046-01-00 | . BRAKE PAD KIT 2 | 1 | |
| 7 | 26H-25919-00-00 | . SUPPORT, PAD | 1 | |
| 8 | 3HE-25924-00-00 | . PIN, PAD | 2 | |
| 9 | 3HE-25925-00-00 | . CLIP | 2 | |
| 10 | 1J3-W0048-00-00 | . BLEED SCREW KIT | 2 | |
| 11 | 41Y-25836-00-00 | . COVER, DUST | 1 | |
| 12 | 1FK-25827-00-00 | . SHIM, CALIPER | 1 | |
| 13 | 1FK-25828-00-00 | . SHIM, CALIPER | 1 | |
| 14 | 90105-10638-00 | BOLT, WASHER BASED | 2 | |
| 15 | 36Y-25819-00-00 | BRACKET, CALIPER | 1 | |

FWD
3CV1310-8310

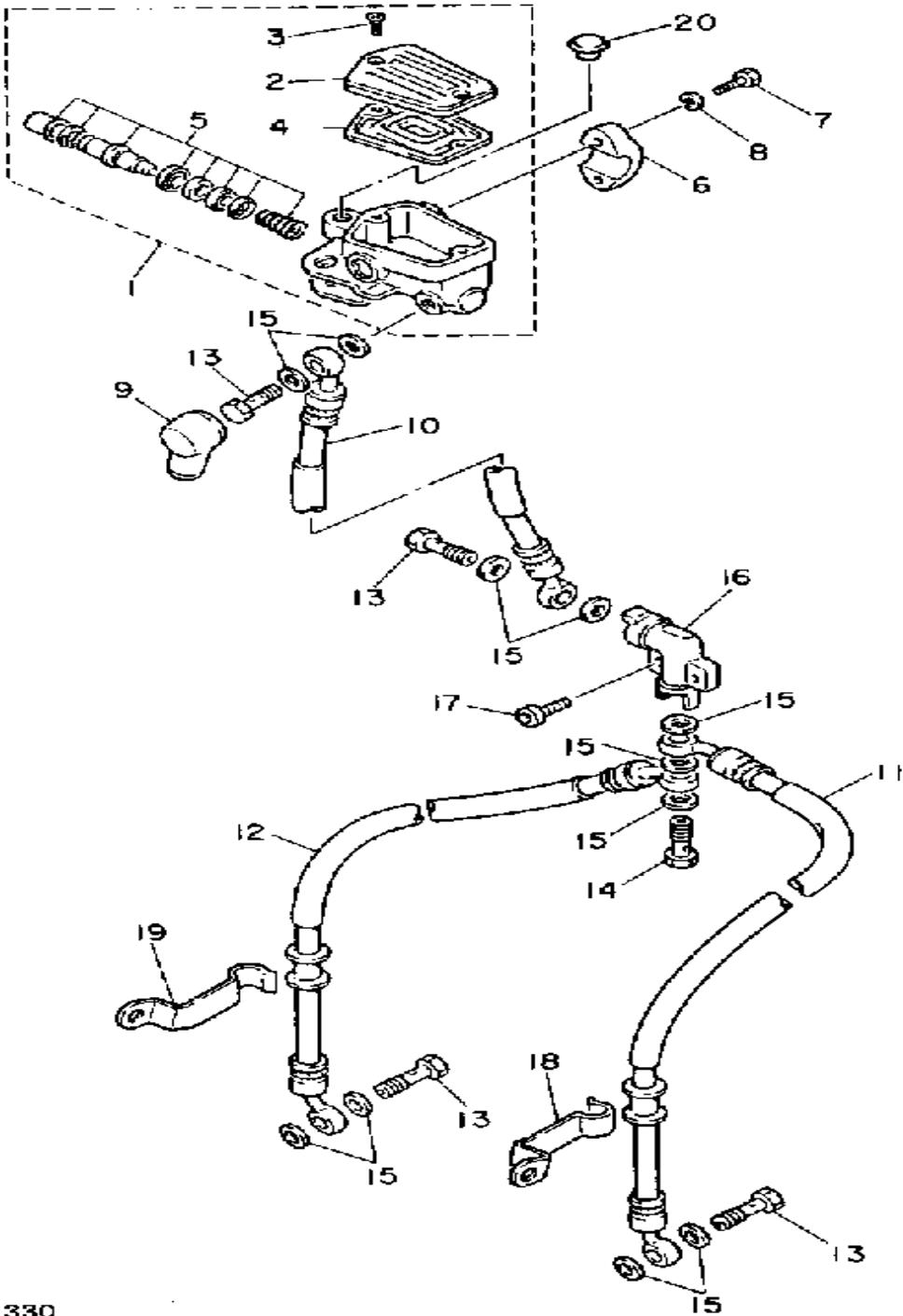
HANDLEBAR - CABLE



| Ref. No. | Part Number | Description | Qty | Remarks |
|----------|-----------------|-------------------------|-----|---------|
| 1 | 3XW-26121-00-00 | HANDLEBAR LH | 1 | |
| 2 | 3XW-26122-00-00 | HANDLEBAR RH | 1 | |
| 3 | 91316-08030-00 | BOLT, SOCKET HEAD | 2 | |
| 4 | 91316-06014-00 | BOLT, SOCKET HEAD | 2 | |
| 5 | 2H9-23469-00-00 | CAP, BOLT | 2 | |
| 6 | 31A-26241-00-00 | GRIP (LEFT) | 1 | |
| 7 | 36Y-26240-00-00 | GRIP ASSEMBLY | 1 | |
| 8 | 3XW-26302-00-00 | THROTTLE CABLE ASSEMBLY | 1 | |
| 9 | 3XW-26281-01-00 | CAP, GRIP UPPER | 1 | |
| 10 | 3XW-26282-01-00 | CAP, GRIP LOWER | 1 | |
| 11 | 98506-05035-00 | SCREW, PAN HEAD | 2 | |
| 12 | 1TX-26330-00-00 | STARTER CABLE ASSEMBLY | 1 | |
| 13 | 90464-13073-00 | CLAMP | 2 | |
| 14 | 36Y-26246-00-00 | END, GRIP | 2 | |
| 15 | 3CV-21343-00-00 | BRACKET, HORN | 1 | |


3YA2332-1320

FRONT MASTER CYLINDER

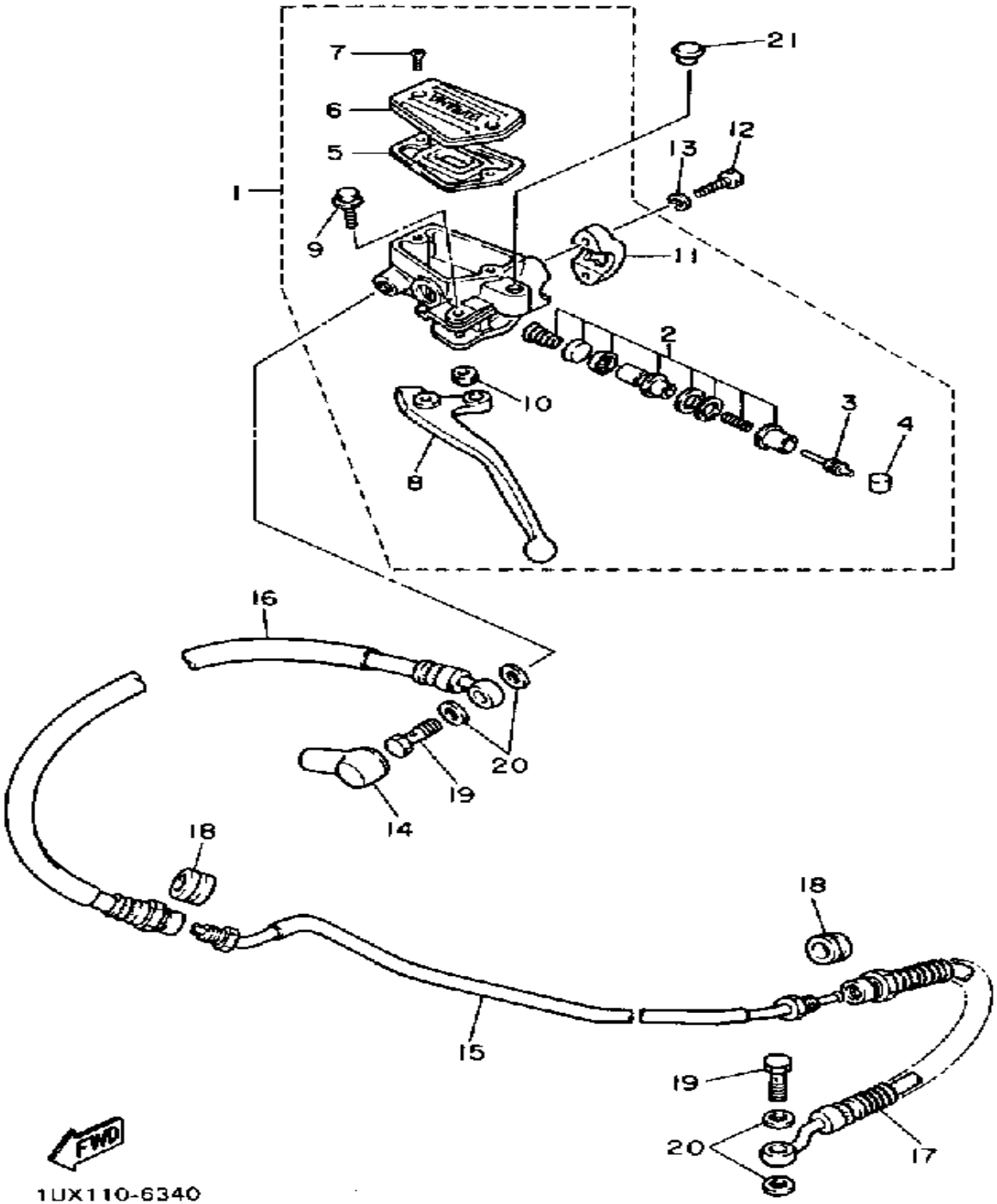


| Ref. No. | Part Number | Description | Qty | Remarks |
|----------|-----------------|--------------------------|-----|---------|
| 1 | 36Y-25850-01-00 | MASTER CYLINDER ASSEMBLY | 1 | |
| 2 | 36Y-25852-01-00 | . CAP, RESERVOIR | 1 | |
| 3 | 98706-04012-00 | . SCREW, FLAT HEAD | 2 | |
| 4 | 36Y-25854-00-00 | . DIAPHRAGM, RESERVOIR | 1 | |
| 5 | 36Y-W0041-00-00 | . CYLINDER KIT, MASTER | 1 | |
| 6 | 36Y-25867-00-00 | BRACKET, MASTER CYLINDER | 1 | |
| 7 | 91316-06025-00 | BOLT | 2 | |
| 8 | 92906-06100-00 | WASHER, SPRING | 2 | |
| 9 | 4L0-25862-00-00 | BOOT, MASTER CYLINDER | 1 | |
| 10 | 36Y-25872-01-00 | HOSE, BRAKE 1 | 1 | |
| 11 | 3XW-25872-00-00 | HOSE, BRAKE 1 | 1 | |
| 12 | 3XW-25873-00-00 | HOSE, BRAKE 2 | 1 | |
| 13 | 90401-10096-00 | BOLT, UNION | 4 | |
| 14 | 90401-10095-00 | BOLT, UNION | 1 | |
| 15 | 90201-10118-00 | WASHER, PLATE | 11 | |
| 16 | 11U-25885-00-00 | JOINT | 1 | |
| 17 | 91316-06025-00 | BOLT | 2 | |
| 18 | 3CW-25875-00-00 | HOLDER, BRKE HOSE 1 | 1 | |
| 19 | 3CW-25876-00-00 | HOLDER, BRKE HOSE 2 | 1 | |
| 20 | 90338-09012-00 | PLUG | 1 | |



3YA332-1330

FRONT MASTER CYLINDER 2

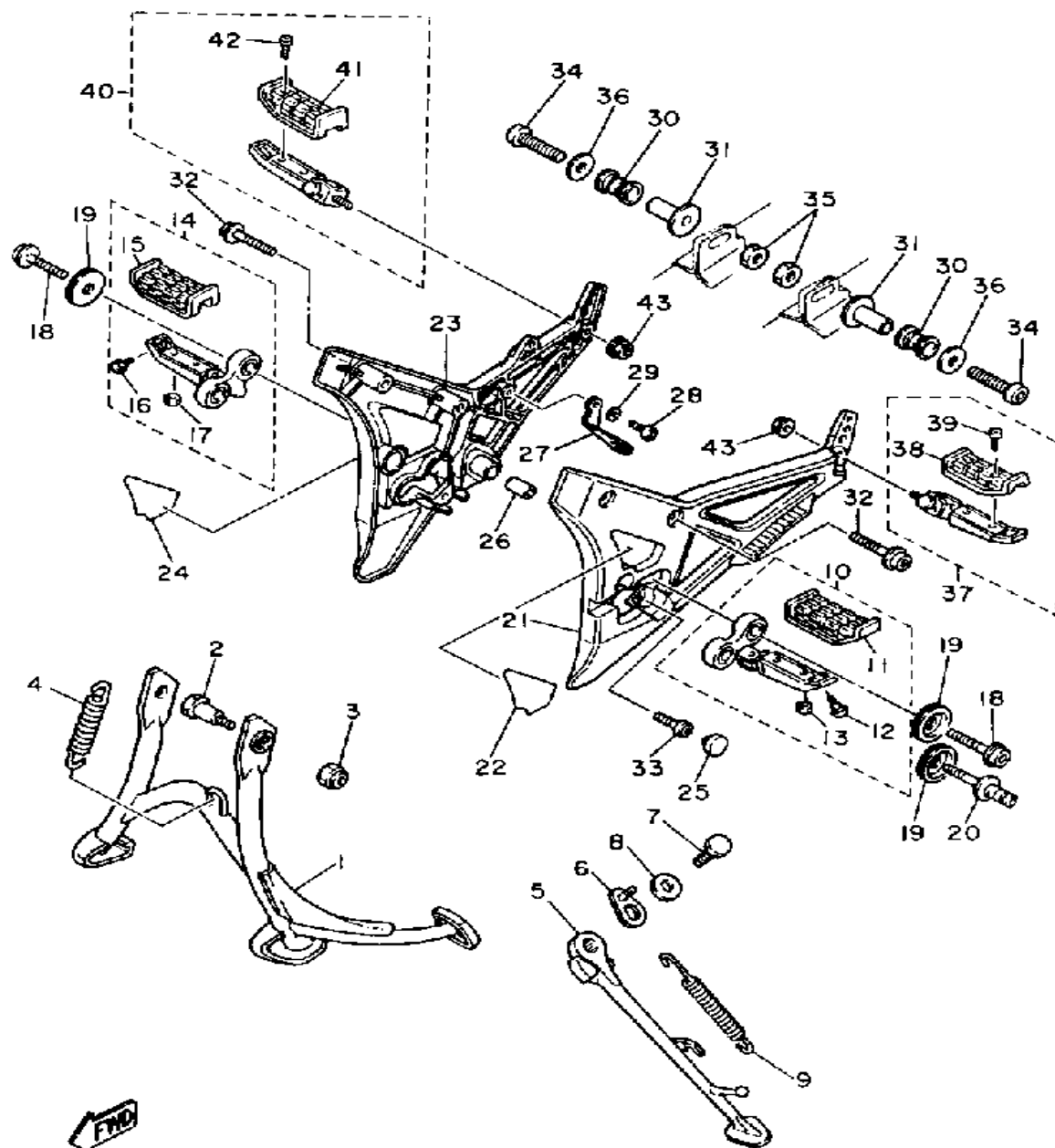


| Ref. No. | Part Number | Description | Qty | Remarks |
|----------|-----------------|---|-----|---------|
| 1 | 2KW-26450-10-00 | MASTER CYLINDER. ASSEMBLY ASSEMBLY (CLUTCH) | 1 | |
| 2 | 2KW-W0099-00-00 | . CYLINDER KIT, MASTER (CLUTCH) | 1 | |
| 3 | 26H-26464-00-00 | . ROD, PUSH | 1 | |
| 4 | 3GM-26455-00-00 | . BUSH | 1 | |
| 5 | 1AE-26454-00-00 | . DIAPHRAGM, RESERVOIR | 1 | |
| 6 | 1FK-26452-01-00 | . CAP, RESERVOIR | 1 | |
| 7 | 98706-04012-00 | . SCREW, FLAT HEAD | 2 | |
| 8 | 1AE-83912-00-00 | . LEVER L | 1 | |
| 9 | 90109-067A0-00 | . BOLT | 1 | |
| 10 | 95616-06100-00 | . NUT, U | 1 | |
| 11 | 1AE-26467-00-00 | . HOLDER | 1 | |
| 12 | 91316-06025-00 | BOLT | 2 | |
| 13 | 92906-06100-00 | WASHER, SPRING | 2 | |
| 14 | 4L0-25862-00-00 | BOOT, MASTER CYLINDER | 1 | |
| 15 | 36Y-26471-00-00 | PIPE | 1 | |
| 16 | 36Y-26472-00-00 | HOSE, CLUTCH 1 | 1 | |
| 17 | 36Y-26473-00-00 | HOSE, CLUTCH 2 | 1 | |
| 18 | 341-25881-00-00 | PROTECTOR, BRAKE HOSE | 2 | |
| 19 | 90401-10096-00 | BOLT, UNION | 2 | |
| 20 | 90201-10118-00 | WASHER, PLATE | 4 | |
| 21 | 90338-09012-00 | PLUG | 1 | |



1UX110-6340

STAND - FOOTREST

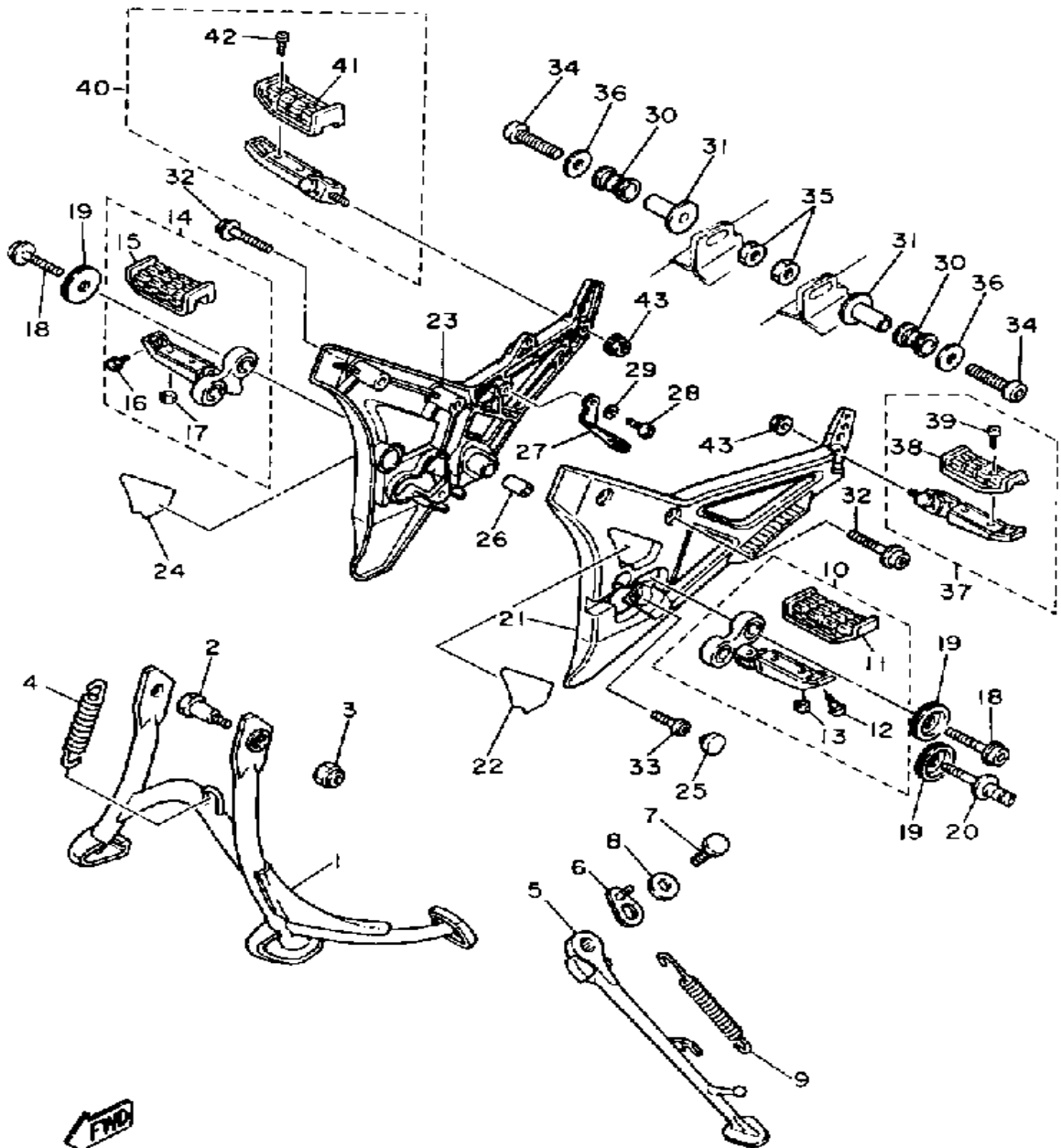


3YY351-1350

| Ref. No. | Part Number | Description | Qty | Remarks |
|----------|-----------------|---|-----|-----------------------------|
| 1 | 36Y-27111-01-33 | STAND, MAIN | 1 | YAMAHA BLACK |
| 2 | 90109-101E6-00 | BOLT | 2 | |
| 3 | 90185-10091-00 | NUT, SELF-LOCKING | 2 | |
| 4 | 90506-45278-00 | SPRING, TENSION | 1 | |
| 5 | 1TX-27311-00-R4 | STAND, SIDE | 1 | BLACK (FOR ELECTRO-DEPOSIT) |
| 6 | 36Y-27352-00-00 | HOOK, SIDE STAND | 1 | |
| 7 | 90101-08662-00 | BOLT | 1 | |
| 8 | 90201-081L6-00 | WASHER, PLATE | 1 | |
| 9 | 90506-29358-00 | SPRING, TENSION | 1 | |
| 10 | 3CV-27410-00-00 | FRT FOOTREST ASSEMBLY LASSEMBLY (LEFT) | 1 | |
| 11 | 22N-27413-00-00 | . COVER, FOOTREST | 1 | |
| 12 | 90109-082A4-00 | . BOLT | 1 | |
| 13 | 95601-06100-00 | . NUT, U | 2 | |
| 14 | 3CV-27420-00-00 | FRT FOOTREST ASSEMBLY RASSEMBLY (RIGHT) | 1 | |
| 15 | 22N-27413-00-00 | . COVER, FOOTREST | 1 | |
| 16 | 90109-082A4-00 | . BOLT | 1 | |
| 17 | 95601-06100-00 | . NUT, U | 2 | |
| 18 | 90109-082A1-00 | BOLT | 3 | |
| 19 | 90209-08295-00 | WASHER | 4 | |
| 20 | 90109-086E4-00 | BOLT | 1 | |
| 21 | 3XW-27442-00-00 | BRACKET 2 | 1 | |
| 22 | 3XW-27445-00-00 | PLATE 1 | 1 | |
| 23 | 3XW-27443-00-00 | BRACKET 3 | 1 | |
| 24 | 3XW-27446-00-00 | PLATE 2 | 1 | |
| 25 | 3XW-27414-00-00 | DAMPER, FOOTREST | 2 | |
| 26 | 90386-20130-00 | BUSH, SPEC'L NYLON | 1 | |
| 27 | 3XW-2741L-00-00 | BRACKET 4 | 1 | |

CONTINUED ON NEXT FRAME ►

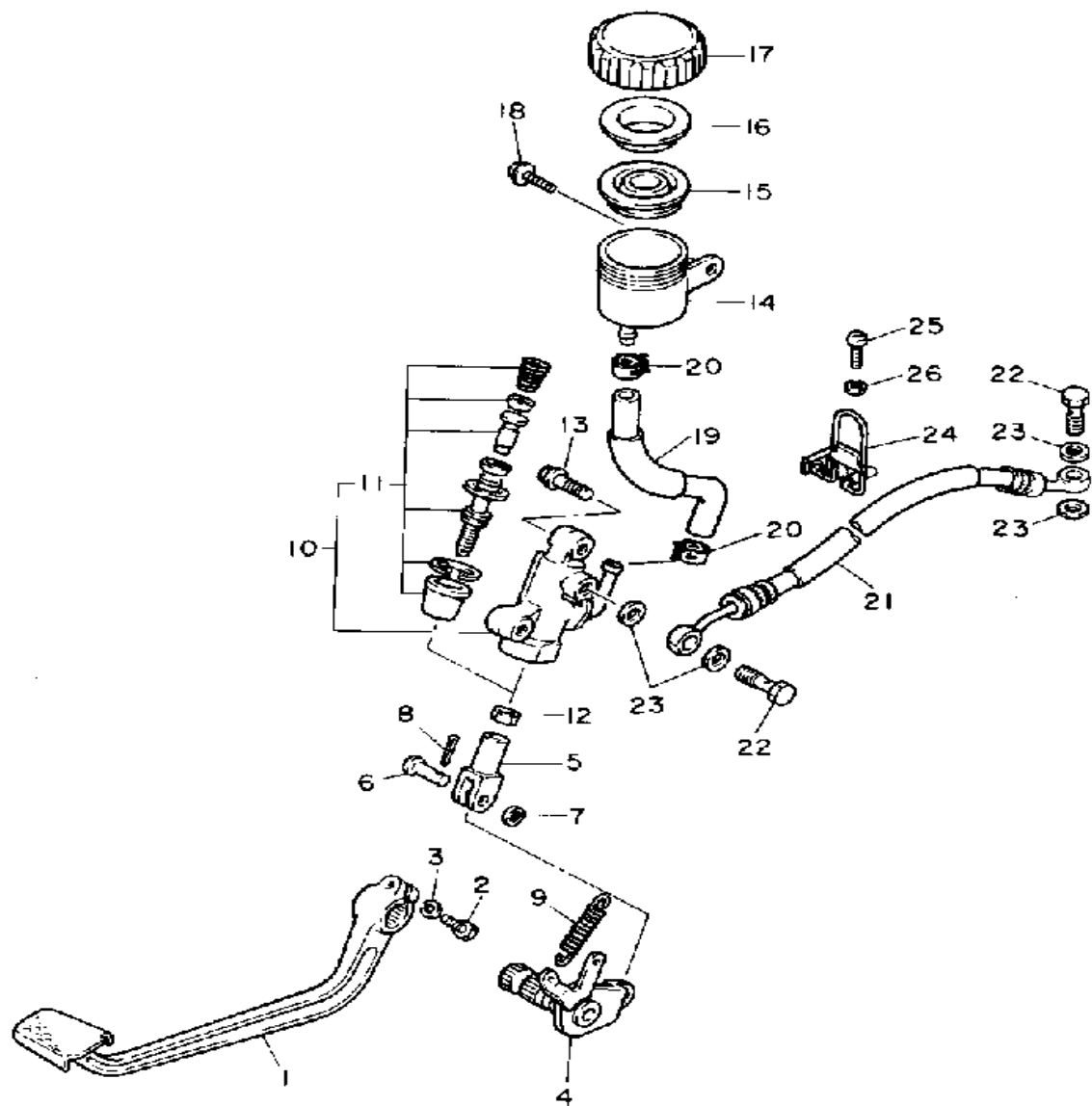
STAND - FOOTREST



3YY351-1350

| Ref. No. | Part Number | Description | Qty | Remarks |
|----------|-----------------|---------------------------|-----|---------|
| 28 | 98580-05012-00 | SCREW, PAN HEAD | 1 | |
| 29 | 92990-05100-00 | WASHER, SPRING | 1 | |
| 30 | 36Y-27424-00-00 | DAMPER, FOOTREST 2 | 2 | |
| 31 | 90387-104L8-00 | COLLAR | 2 | |
| 32 | 90109-082A1-00 | BOLT | 4 | |
| 33 | 90110-08096-00 | BOLT, HEXAGON SOCKET HEAD | 2 | |
| 34 | 92011-10040-00 | BOLT, BUTTON HEAD | 2 | |
| 35 | 90179-10276-00 | NUT, SPEC'L SHAPE | 2 | |
| 36 | 90201-10669-00 | WASHER, PLATE | 2 | |
| 37 | 29L-27430-00-00 | RR FOOTREST ASSEMBLY 1 | 1 | |
| 38 | 22N-27433-00-00 | . COVER, RR FOOTREST | 1 | |
| 39 | 98506-05010-00 | . SCREW, PAN HEAD | 2 | |
| 40 | 29L-27440-00-00 | RR FOOTREST ASSEMBLY 2 | 1 | |
| 41 | 22N-27433-00-00 | . COVER, RR FOOTREST | 1 | |
| 42 | 98506-05010-00 | . SCREW, PAN HEAD | 2 | |
| 43 | 95701-10500-00 | NUT, FLANGE (95702-10500) | 2 | |

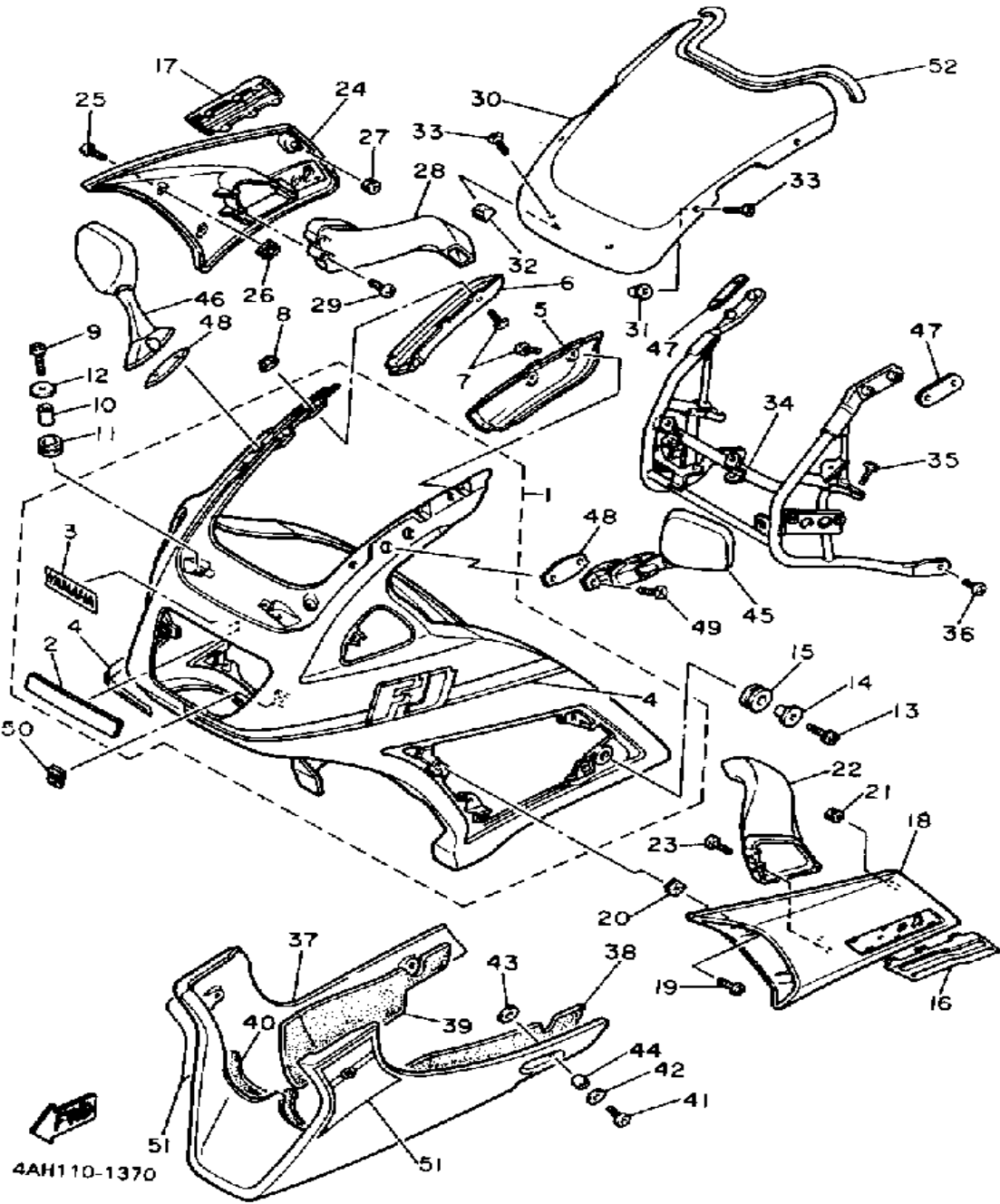
REAR MASTER CYLINDER



3CV1310-8360

| Ref. No. | Part Number | Description | Qty | Remarks |
|----------|-----------------|------------------------|-----|---------|
| 1 | 3XW-27211-00-00 | PEDAL, BRAKE | 1 | |
| 2 | 90109-06468-00 | BOLT | 1 | |
| 3 | 92995-06100-00 | WASHER, SPRING | 1 | |
| 4 | 3XW-27212-00-00 | SHAFT, BRAKE PEDAL | 1 | |
| 5 | 31A-27222-00-00 | JOINT | 1 | |
| 6 | 90240-08013-00 | PIN, CLEVIS | 1 | |
| 7 | 90201-08083-00 | WASHER, PLATE | 1 | |
| 8 | 91490-20020-00 | PIN, COTTER | 1 | |
| 9 | 90506-20192-00 | SPRING, TENSION | 1 | |
| 10 | 36Y-25850-51-00 | MSTR CYLINDER ASSEMBLY | 1 | |
| 11 | 36Y-W0042-51-00 | . CYLINDER.KIT, MASTER | 1 | |
| 12 | 95303-08700-00 | NUT | 1 | |
| 13 | 95023-08025-00 | BOLT | 2 | |
| 14 | 31A-25894-01-00 | TANK, RESERVOIR | 1 | |
| 15 | 360-25854-00-00 | DIAPHRAGM, RESERVOIR | 1 | |
| 16 | 2GU-25855-00-00 | BUSH, DIAPHRAGM | 1 | |
| 17 | 2KF-25852-50-00 | CAP, RESERVOIR | 1 | |
| 18 | 90159-06056-00 | SCREW, WITH WASHER | 1 | |
| 19 | 3CV-25895-00-00 | HOSE, RESERVOIR | 1 | |
| 20 | 90467-14057-00 | CLIP | 2 | |
| 21 | 36Y-25872-53-00 | HOSE, BRAKE 1 | 1 | |
| 22 | 90401-10096-00 | BOLT, UNION | 2 | |
| 23 | 90201-10118-00 | WASHER, PLATE | 4 | |
| 24 | 1TX-25875-51-00 | HOLDER, BRAKE HOS 1 | 1 | |
| 25 | 98580-06012-00 | SCREW, PAN HEAD | 1 | |
| 26 | 92995-06100-00 | WASHER, SPRING | 1 | |

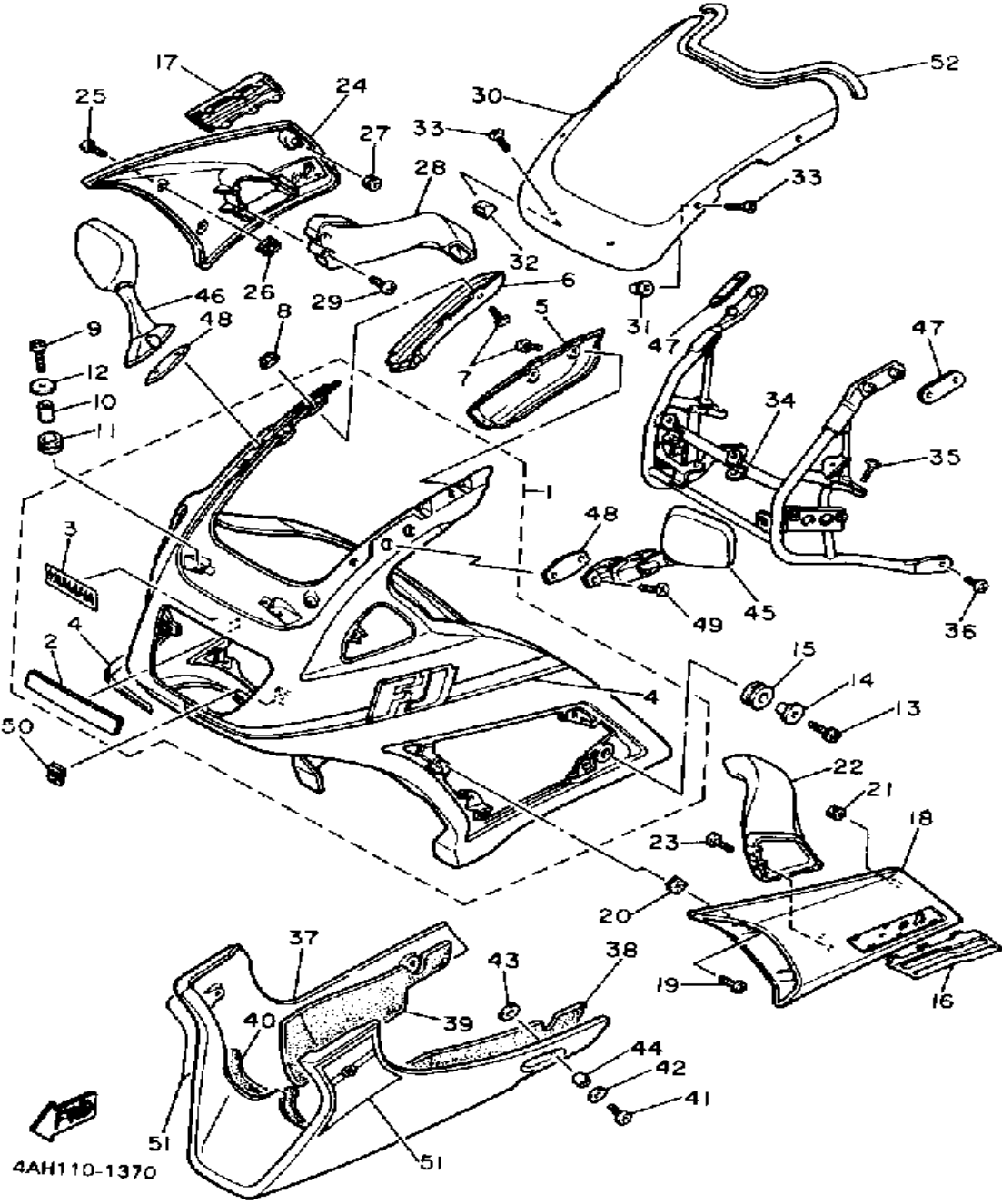
COWLING 1



| Ref. No. | Part Number | Description | Qty | Remarks |
|----------|-----------------|----------------------|-----|--------------------------------|
| 1 | 3XW-W2834-20-2X | BODY, COWLING | 1 | MARBLE SILVER/DARK VIOLET COCK |
| 2 | 3CV-2834F-00-00 | . DAMPER (R.H) | 1 | |
| 3 | 99224-00025-00 | . EMBLEM, YAMAHA | 1 | |
| 4 | 3XW-28390-20-00 | . GRPHC SET, COWLING | 1 | |
| 5 | 3XW-2836M-00-00 | PANEL, INNER 3 | 1 | |
| 6 | 3XW-2836N-00-00 | PANEL, INNER 4 | 1 | |
| 7 | 98906-05012-00 | SCREW, BIND | 4 | |
| 8 | 95706-05500-00 | NUT, FLANGE | 4 | |
| 9 | 98516-06020-00 | SCREW, PAN HEAD | 2 | |
| 10 | 90387-060A7-00 | COLLAR | 2 | |
| 11 | 90480-16233-00 | GROMMET | 2 | |
| 12 | 90201-06697-00 | WASHER, PLATE | 2 | |
| 13 | 90159-06085-00 | SCREW, WITH WASHER | 4 | |
| 14 | 90387-093H1-00 | COLLAR (46Y) | 4 | |
| 15 | 90480-18488-00 | GROMMET | 4 | |
| 16 | 3CV-2832M-00-00 | PROTECTOR 1 | 1 | |
| 17 | 3CV-2832N-00-00 | PROTECTOR 2 | 1 | |
| 18 | 3XW-2837N-00-P1 | GRILL, AIR INTAKE 1 | 1 | DARK VIOLET COCKTAIL |
| 19 | 90154-05013-00 | SCREW, BINDING | 3 | |
| 20 | 90183-05024-00 | NUT, SPRING | 3 | |
| 21 | 90480-13398-00 | GROMMET | 1 | |
| 22 | 36Y-2838N-00-00 | DUCT 1 | 1 | |
| 23 | 97702-40012-00 | SCREW, TAPPING | 3 | |
| 24 | 3XW-2837R-00-P1 | GRILL, AIR INTAKE 2 | 1 | DARK VIOLET COCKTAIL |
| 25 | 90154-05013-00 | SCREW, BINDING | 3 | |
| 26 | 90183-05024-00 | NUT, SPRING | 3 | |

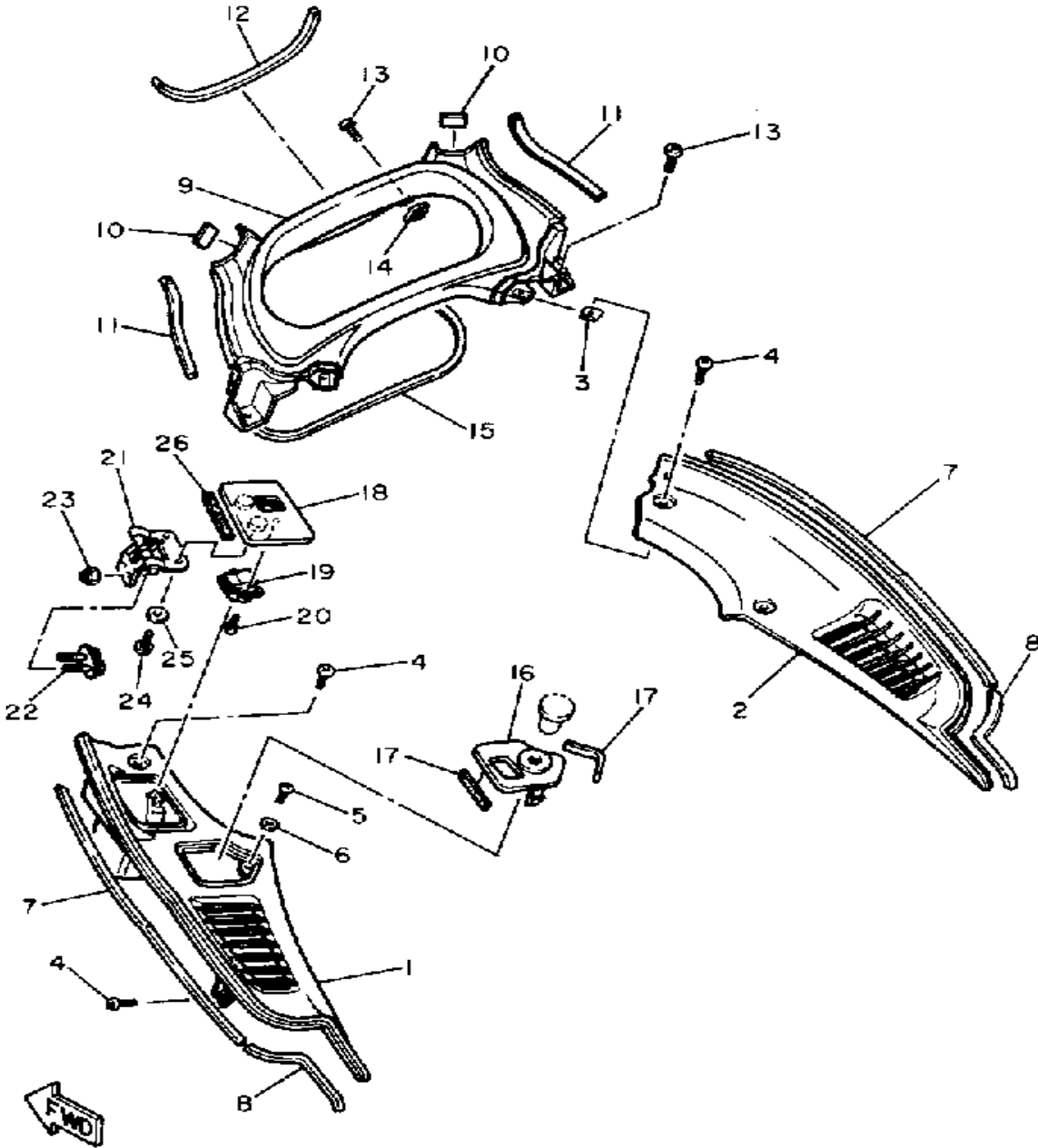
CONTINUED ON NEXT FRAME ►

COWLING 1



| Ref. No. | Part Number | Description | Qty | Remarks |
|----------|-----------------|----------------------------------|-----|-------------|
| 27 | 90480-13398-00 | GROMMET | 1 | |
| 28 | 36Y-2838R-00-00 | DUCT 2 | 1 | |
| 29 | 97702-40012-00 | SCREW, TAPPING | 3 | |
| 30 | 4AH-28381-00-00 | WINDSHIELD | 1 | |
| 31 | 90179-05523-00 | NUT | 4 | |
| 32 | 90183-05024-00 | NUT, SPRING | 2 | |
| 33 | 90150-05023-00 | SCREW, ROUND HEAD | 6 | |
| 34 | 4AH-28359-00-00 | STAY 2 | 1 | |
| 35 | 95811-08016-00 | BOLT, FLANGE | 2 | |
| 36 | 95811-08012-00 | BOLT, FLANGE | 2 | |
| 37 | 1TX-28385-00-0L | COVER, LOWER | 1 | SILKY WHITE |
| 38 | 1TX-2848K-01-00 | SEAT 2 | 1 | |
| 39 | 1TX-2848L-01-00 | SEAT 3 | 1 | |
| 40 | 1TX-2848M-00-00 | SEAT 4 | 1 | |
| 41 | 90110-06202-00 | BOLT, HEXAGON SOCKET HEAD | 4 | |
| 42 | 90202-06170-00 | WASHER, PLATE | 4 | |
| 43 | 90202-11161-00 | WASHER, PLATE | 4 | |
| 44 | 90387-064W1-00 | COLLAR (90387-066J9) | 4 | |
| 45 | 3XW-26280-00-00 | MIRROR ASSEMBLY (LEFT) .. | 1 | |
| 46 | 3XW-26290-00-00 | MIRROR ASSEMBLY (RIGHT) . | 1 | |
| 47 | 3XW-26298-00-00 | PLATE, MIRROR FIT | 2 | |
| 48 | 3CV-26299-00-00 | PLATE, MIRROR FITNG | 2 | |
| 49 | 98706-06020-00 | SCREW, FLAT HEAD | 4 | |
| 50 | 36Y-28363-00-00 | NUT | 2 | |
| 51 | 3XW-28301-20-00 | GRAHIC SET, LWR CVRCOVER 1 | 1 | |
| 52 | 36Y-28348-00-00 | MOLE 4 | 1 | |

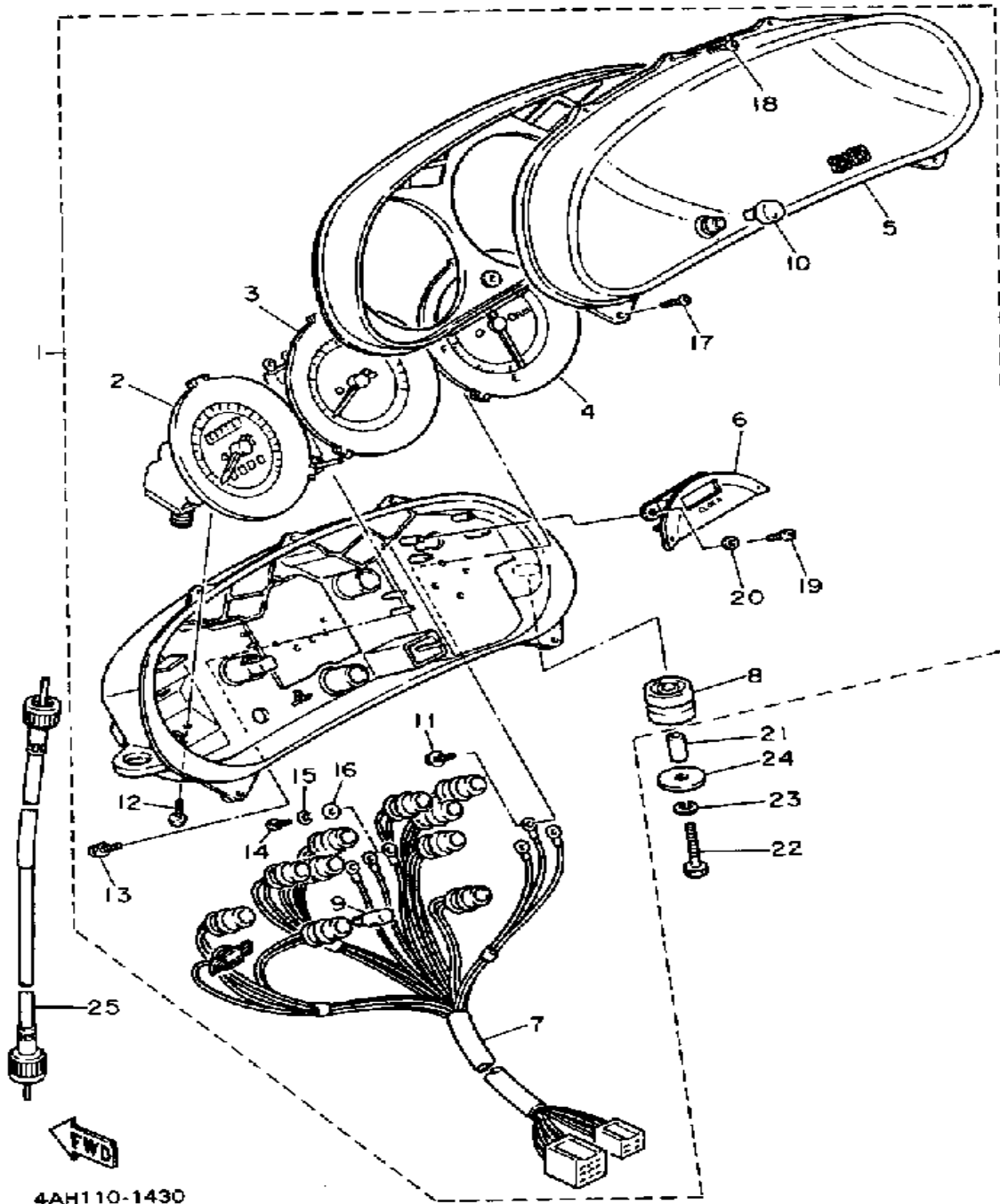
COWLING 2



3YA332-1380

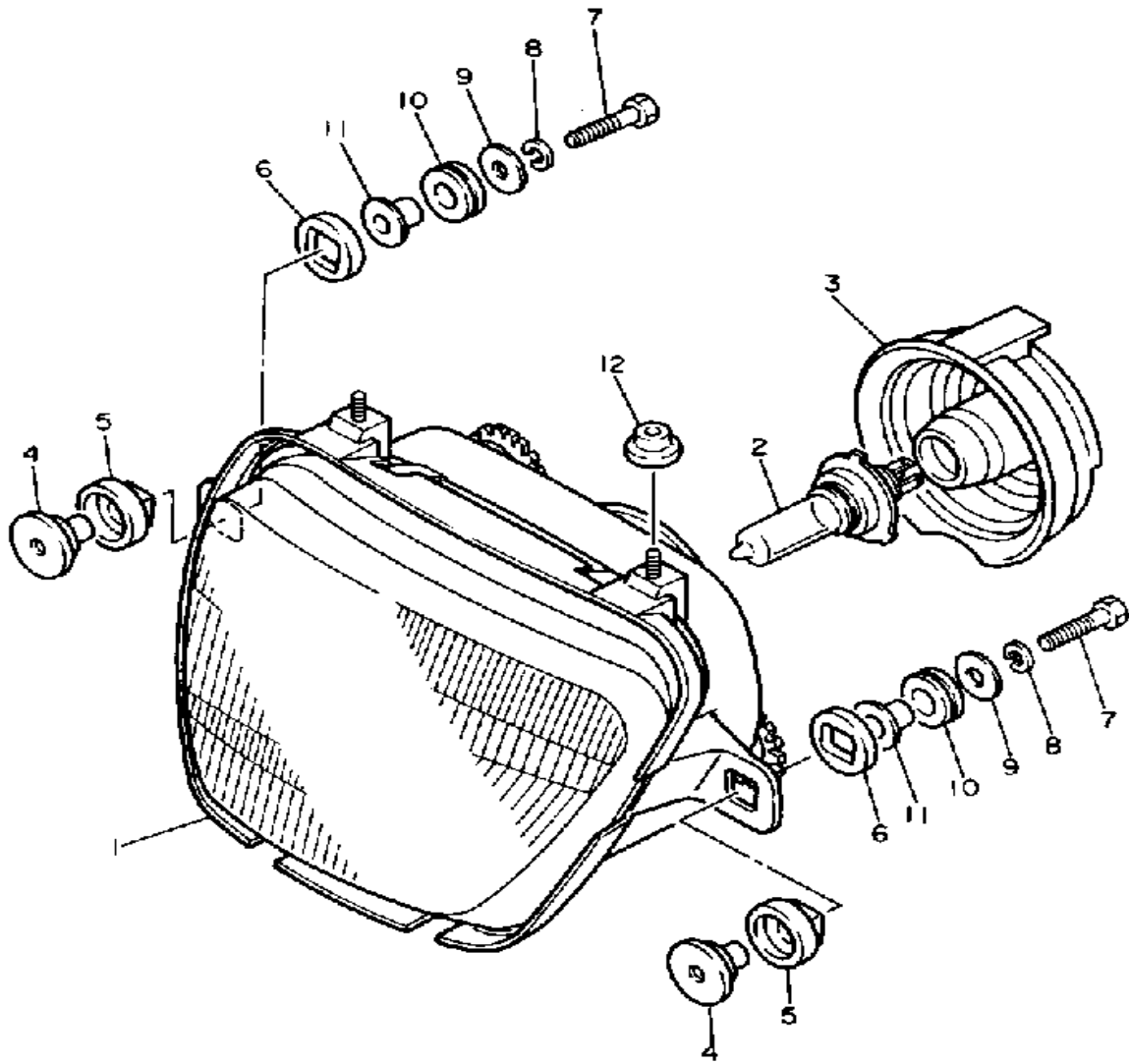
| Ref. No. | Part Number | Description | Qty | Remarks |
|----------|-----------------|---------------------|-----|---------|
| 1 | 3XW-2836K-00-00 | PANEL, INNER 1 | 1 | |
| 2 | 3XW-2836L-00-00 | PANEL, INNER 2 | 1 | |
| 3 | 90183-05024-00 | NUT, SPRING | 4 | |
| 4 | 90154-05013-00 | SCREW, BINDING | 5 | |
| 5 | 98516-05012-00 | SCREW, PAN HEAD 4CG | 1 | |
| 6 | 92906-05600-00 | WASHER, PLATE | 1 | |
| 7 | 1NL-2844U-00-00 | MOULDING 0 | 2 | |
| 8 | 3CV-28345-00-00 | MOLD 1 | 2 | |
| 9 | 3XW-2836R-00-00 | PANEL, INNER 5 | 1 | |
| 10 | 51Y-21639-00-00 | DAMPER 2 | 2 | |
| 11 | 3CV-28345-00-00 | MOLD 1 | 2 | |
| 12 | 3XW-2834H-00-00 | MOLD 6 | 1 | |
| 13 | 90154-05013-00 | SCREW, BINDING | 4 | |
| 14 | 90183-05024-00 | NUT, SPRING | 4 | |
| 15 | 36Y-28348-00-00 | MOLE 4 | 1 | |
| 16 | 1TX-28365-00-00 | COVER | 1 | |
| 17 | 1TX-28227-00-00 | DAMPER 2 | 2 | |
| 18 | 3CV-2839K-00-00 | LID 1 | 1 | |
| 19 | 1HX-21780-00-00 | LOCK ASSEMBLY | 1 | |
| 20 | 97706-40510-00 | SCREW, TAPPING | 2 | |
| 21 | 3CV-2849E-00-00 | HINGE 4 | 1 | |
| 22 | 3CV-2836A-00-00 | BRACKET 1 | 1 | |
| 23 | 95606-05200-00 | NUT, U | 2 | |
| 24 | 97706-50510-00 | SCREW, TAPPING | 2 | |
| 25 | 92906-05200-00 | WASHER, PLAIN | 2 | |
| 26 | 3CV-28372-00-00 | DAMPER | 1 | |

METER



| Ref. No. | Part Number | Description | Qty | Remarks |
|----------|-----------------|--|-----|---------|
| 1 | 1WJ-83500-A0-00 | SPEEDOMETER ASSEMBLY .. | 1 | |
| 2 | 1WJ-83570-A0-00 | . SPEEDOMETER ASSEMBLY . | 1 | |
| 3 | 1TX-83540-00-00 | . TACHOMETER ASSEMBLY .. | 1 | |
| 4 | 1TX-85750-00-00 | . FUEL METER ASSEMBLY ... | 1 | |
| 5 | 1TX-83511-00-00 | . LENS, SPEEDOMETER | 1 | |
| 6 | 1TX-83740-00-00 | . DIGITAL CLOCK ASSEMBLY . | 1 | |
| 7 | 1TX-83509-00-00 | . SOCKET CORD ASSEMBLY . | 1 | |
| 8 | 36Y-83523-00-00 | . DAMPER | 2 | |
| 9 | 4G1-84744-00-00 | . BULB, MTR.12V3.4W | 10 | |
| 10 | 29L-83578-00-00 | . KNOB, TRIP METER | 1 | |
| 11 | 90159-03102-00 | . SCREW, WITH WASHER | 3 | |
| 12 | 90167-04021-00 | . SCREW, TAPPING | 2 | |
| 13 | 90159-04114-00 | . SCREW, WITH WASHER | 2 | |
| 14 | 98580-03010-00 | . SCREW, PAN HEAD (98502-03010) | 3 | |
| 15 | 92990-03100-00 | . WASHER, SPRING (92901-03100) | 3 | |
| 16 | 92902-03600-00 | . WASHER | 3 | |
| 17 | 90164-04005-00 | . SCREW, TAPPING | 2 | |
| 18 | 97780-30120-00 | . SCREW, PANHEAD TAP | 3 | |
| 19 | 4H7-83616-00-00 | . SCREW, TAPPING | 2 | |
| 20 | 1TX-83524-00-00 | . WASHER, SPECIAL | 2 | |
| 21 | 90387-060J4-00 | COLLAR | 2 | |
| 22 | 97021-06030-00 | BOLT | 2 | |
| 23 | 92995-06100-00 | WASHER, SPRING | 2 | |
| 24 | 90201-060A3-00 | WASHER, PLATE | 2 | |
| 25 | 34X-83550-01-00 | SPEEDOMETER CABLE ASSEMBLY | 1 | |

HEADLIGHT



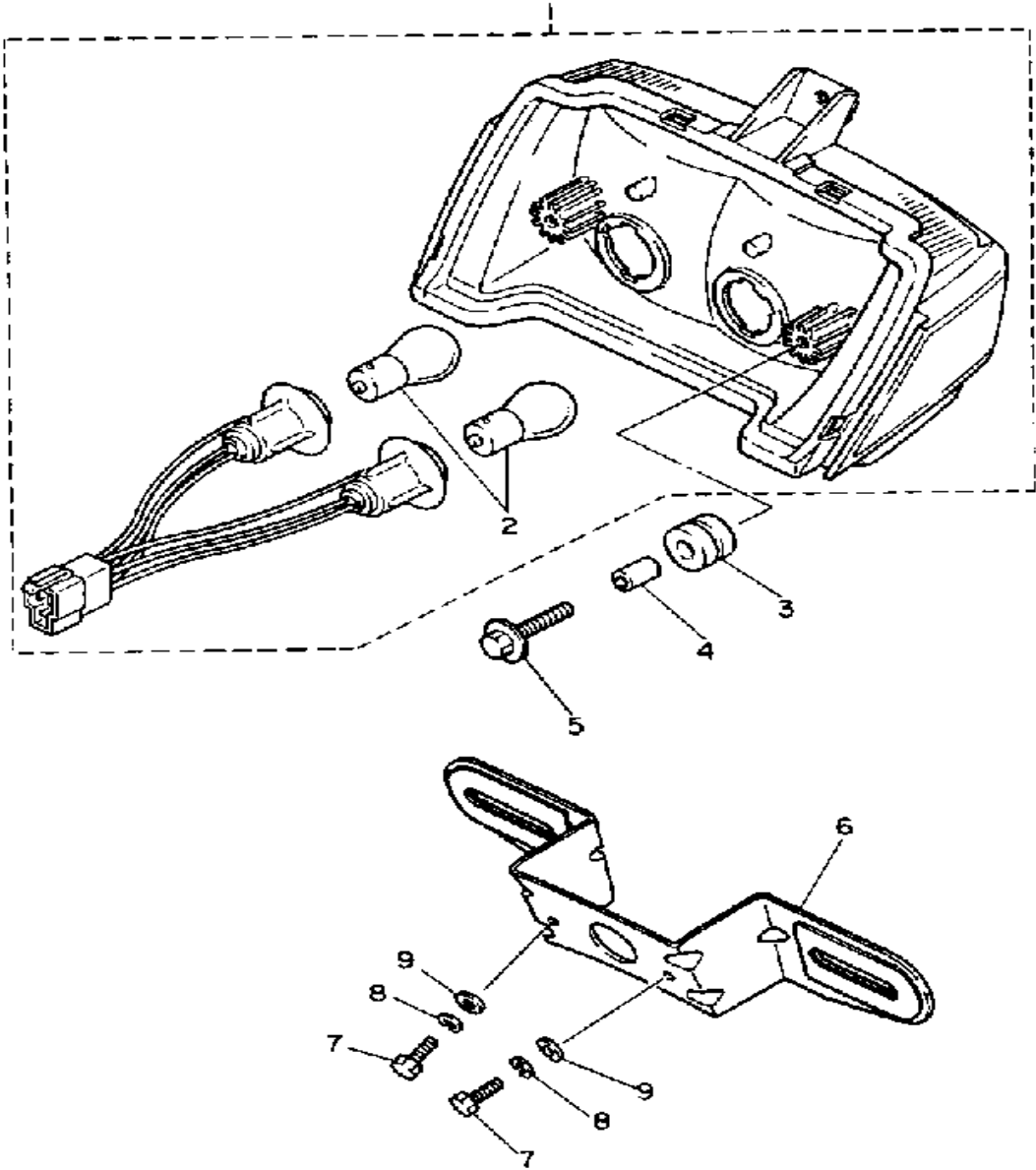
| Ref. No. | Part Number | Description | Qty | Remarks |
|----------|-----------------|-----------------------------------|-----|---------|
| 1 | 4AH-84320-00-00 | LENS ASSEMBLY | 1 | |
| 2 | 5V2-84314-00-XX | BULB, HL 12V60/55W (2F9-84314-00) | 1 | HALOGEN |
| 3 | 36Y-84397-00-00 | COVER, SOCKET | 1 | |
| 4 | 498-84145-60-00 | COLLAR, BODY FITTING | 2 | |
| 5 | 498-84163-60-00 | DAMPER | 2 | |
| 6 | 498-84164-60-00 | DAMPER | 2 | |
| 7 | 97001-08050-00 | BOLT | 2 | |
| 8 | 92990-08100-00 | WASHER | 2 | |
| 9 | 90201-08753-00 | WASHER, PLATE | 2 | |
| 10 | 90480-20338-00 | GROMMET | 2 | |
| 11 | 90387-081F5-00 | COLLAR | 2 | |
| 12 | 36Y-84354-00-00 | GROMMET | 2 | |



4AH110-1440

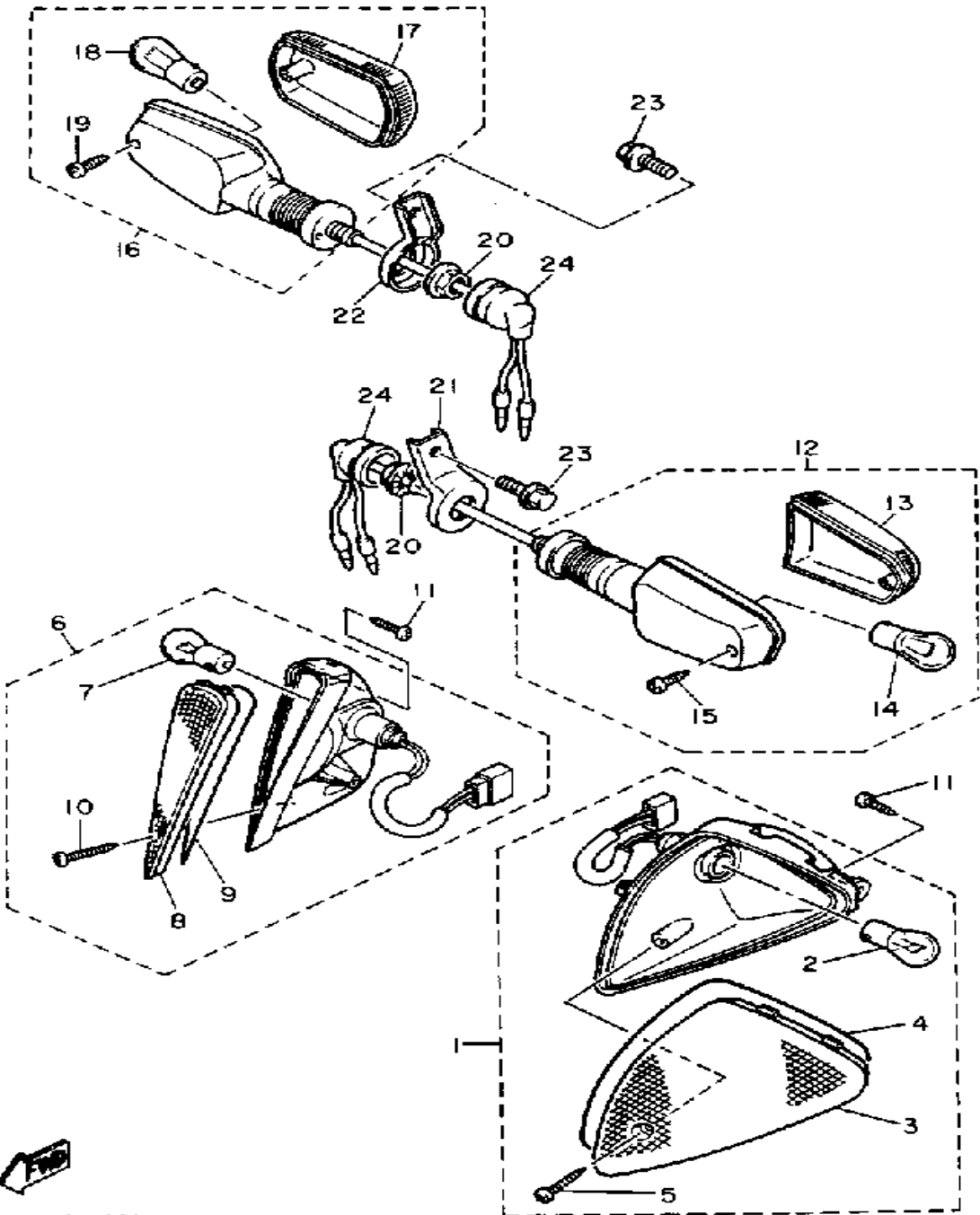
TAILLIGHT

| Ref. No. | Part Number | Description | Qty | Remarks |
|----------|-----------------|----------------------------|-----|-----------------|
| 1 | 47M-84710-60-00 | TAILLIGHT UNIT ASSEMBLY .. | 1 | |
| 2 | 256-84714-61-00 | . BULB (12V-27/8W) | 2 | |
| 3 | 90480-14412-00 | GROMMET | 2 | |
| 4 | 90387-06028-00 | COLLAR | 2 | |
| 5 | 90119-06182-00 | BOLT, WITH WASHER | 2 | |
| 6 | 26H-84751-00-98 | BRACKET, LICENSE | 1 | LOW GLOSS BLACK |
| 7 | 97016-06016-00 | BOLT | 2 | |
| 8 | 92906-06100-00 | WASHER, SPRING | 2 | |
| 9 | 90201-06067-00 | WASHER, PLATE | 2 | |



4AH110-1450

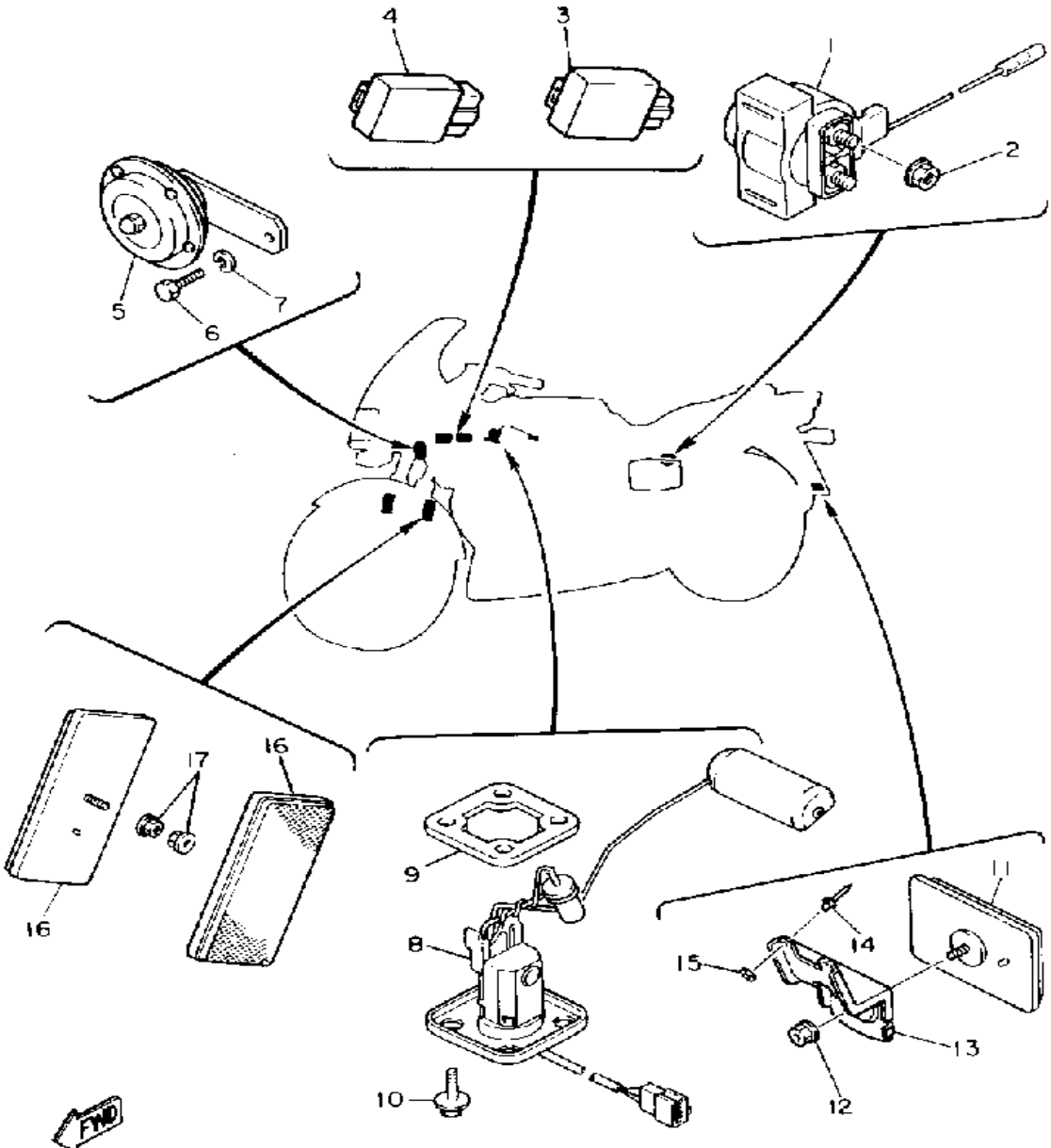
TURNSIGNAL



4AH110-1420

| Ref. No. | Part Number | Description | Qty | Remarks |
|----------|-----------------|---------------------------------|-----|---------|
| 1 | 4AH-83310-00-00 | FRT FLSHR LITE ASSEMBLYASSY 1 | 1 | |
| 2 | 256-84714-61-00 | . BULB (12V-27/8W) | 1 | |
| 3 | 3XW-83312-00-00 | . LENS, FLASHER | 1 | |
| 4 | 3XW-83313-00-00 | . GASKET, FLSHR LENS | 1 | |
| 5 | 97702-40120-00 | . SCREW, TAPPING (3XW) | 1 | |
| 6 | 4AH-83320-00-00 | FRT FLSHR LITE ASSEMBLYASSY 2 | 1 | |
| 7 | 256-84714-61-00 | . BULB (12V-27/8W) | 1 | |
| 8 | 3XW-83322-00-00 | . LENS, FLASHER 2 | 1 | |
| 9 | 3XW-83313-00-00 | . GASKET, FLSHR LENS | 1 | |
| 10 | 97702-40120-00 | . SCREW, TAPPING (3XW) | 1 | |
| 11 | 97780-50514-00 | SCREW, tapping (97702-50614-00) | 4 | |
| 12 | 1UF-83330-00-00 | REAR FLASHER LIGHT ASSEMBLY 1 | 1 | |
| 13 | 51L-83342-01-00 | . LENS, FLASHER 2 | 1 | |
| 14 | 256-83311-70-XX | . BULB, TS 12V27W | 1 | |
| 15 | 97706-40620-00 | . SCREW, TAPPING | 1 | |
| 16 | 1UF-83340-00-00 | FLASHER LIGHT ASSEMBLY 2 | 1 | |
| 17 | 51L-83332-01-00 | . LENS, FLASHER | 1 | |
| 18 | 256-83311-70-XX | . BULB, TS 12V27W | 1 | |
| 19 | 97706-40620-00 | . SCREW, TAPPING | 1 | |
| 20 | 95706-12500-00 | NUT, FLANGE | 2 | |
| 21 | 36Y-83368-00-00 | STAY, FLASHER | 1 | |
| 22 | 36Y-83369-00-00 | STAY, FLASHER | 1 | |
| 23 | 95811-08012-00 | BOLT, FLANGE | 2 | |
| 24 | 18G-83365-00-00 | CAP | 2 | |

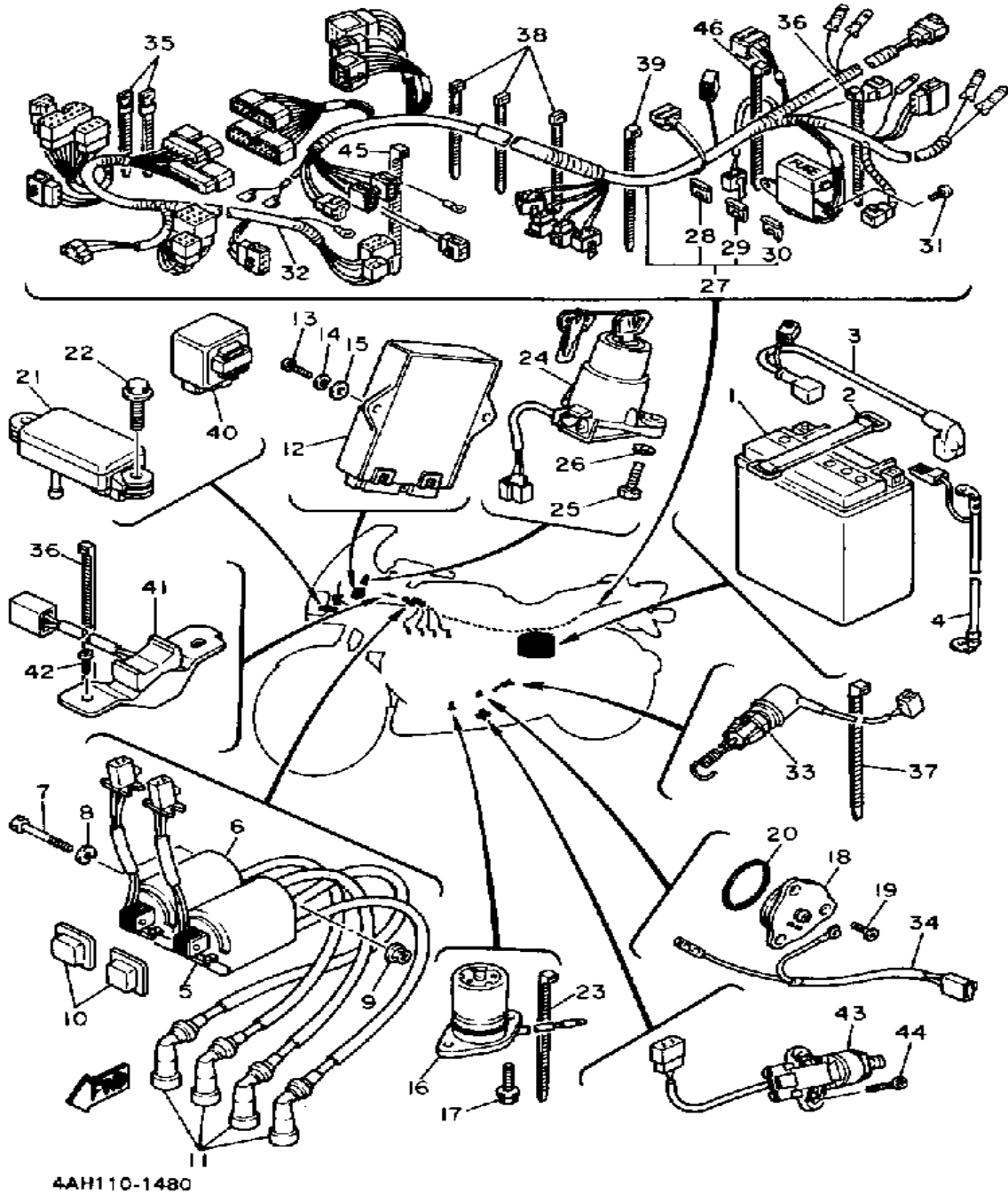
ELECTRICAL 1



| Ref. No. | Part Number | Description | Qty | Remarks |
|----------|-----------------|--|-----|---------|
| 1 | 36Y-81940-00-00 | STARTER RELAY ASSEMBLY . | 1 | |
| 2 | 95701-06500-00 | NUT, FLANGE | 2 | |
| 3 | 2UJ-81950-00-00 | RELAY ASSEMBLY | 1 | |
| 4 | 3YA-83350-00-00 | FLASHER RELAY ASSEMBLY . | 1 | UR |
| | 3YA-83350-10-00 | FLASHER RELAY ASSEMBLY . | 1 | UR |
| 5 | 4V8-83371-20-00 | HORN | 1 | |
| 6 | 97016-08016-00 | BOLT | 1 | |
| 7 | 92906-08100-00 | WASHER, SPRING | 1 | |
| 8 | 36Y-85752-03-00 | SNDR UT ASSEMBLY, F/MTRFUEL METER | 1 | |
| 9 | 5G3-85753-00-00 | GASKET, SENDER UNIT | 1 | |
| 10 | 90119-05071-00 | BOLT, WITH WASHER | 4 | |
| 11 | 3G1-85130-01-00 | REAR REFLECTOR ASSEMBLY | 1 | |
| 12 | 95701-05500-00 | NUT, FLANGE | 1 | |
| 13 | 47M-85132-00-00 | BRACKET, REFLECTOR 1 | 1 | |
| 14 | 90267-32070-00 | RIVET, BLIND | 2 | |
| 15 | 92990-03200-00 | WASHER, PLAIN | 2 | |
| 16 | 11H-85110-01-00 | REFLECTOR ASSEMBLY | 2 | |
| 17 | 95701-05500-00 | NUT, FLANGE | 2 | |

3GP1171-8470

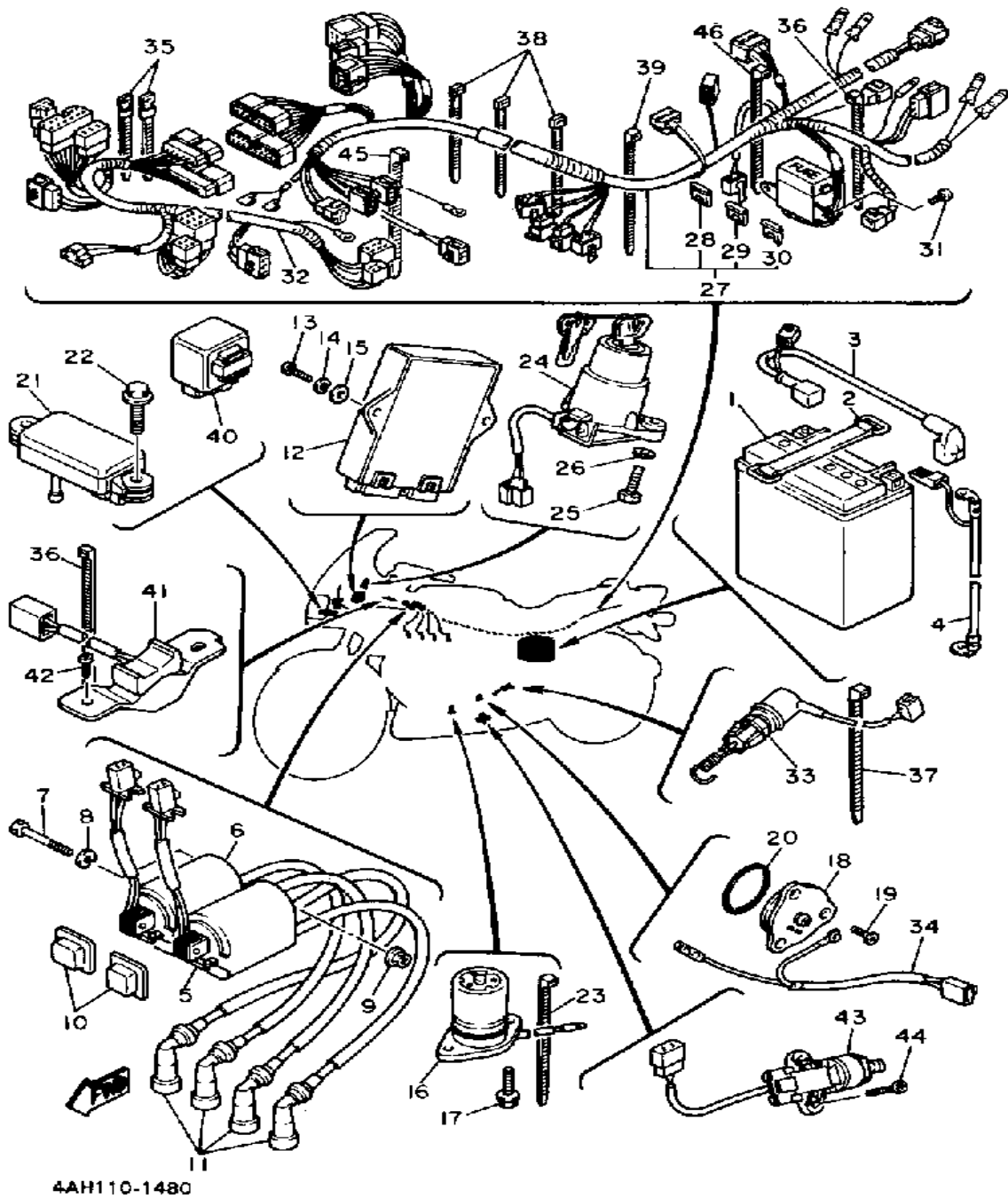
ELECTRICAL 2



| Ref. No. | Part Number | Description | Qty | Remarks |
|----------|-----------------|------------------------------------|-----|---------|
| 1 | BTY-YTX14-BS-00 | BATTERY ASSEMBLY (3XW-82100-01-00) | 1 | |
| 2 | 2T4-82131-00-00 | BAND, BATTERY | 1 | |
| 3 | 3XW-82115-00-00 | WIRE, PLUS LEAD | 1 | |
| 4 | 3XW-82116-00-00 | WIRE, MINUS LEAD | 1 | |
| 5 | 3CV-82310-00-00 | IGNITION COIL ASSEMBLY | 1 | |
| 6 | 3CV-82320-00-00 | IGNITION COIL ASSEMBLY | 1 | |
| 7 | 97313-06070-00 | NUT (97301-06070) | 1 | |
| 8 | 92995-06100-00 | WASHER, SPRING | 1 | |
| 9 | 95701-06500-00 | NUT, FLANGE | 1 | |
| 10 | 4U8-82317-00-00 | DAMPER, IGNITION COIL | 2 | |
| 11 | 1UY-82370-20-00 | PLUG CAP ASSEMBLY | 4 | |
| 12 | 3SK-82305-01-00 | IGNITOR UNIT ASSEMBLY 1 | 1 | |
| 13 | 98503-06014-00 | SCREW, PAN HEAD (92502-06016) | 2 | |
| 14 | 92995-06100-00 | WASHER, SPRING | 2 | |
| 15 | 92990-06600-00 | WASHER, PLATE | 2 | |
| 16 | 4H7-85720-01-00 | OIL LVL GAUGE ASSEMBLY | 1 | |
| 17 | 95026-06016-00 | BOLT, FLANGE | 2 | |
| 18 | 1L9-82540-00-00 | NEUTRAL SWITCH ASSEMBLY | 1 | |
| 19 | 98701-05012-00 | SCREW, FLAT HEAD | 3 | |
| 20 | 93210-29196-00 | O-RING | 1 | |
| 21 | 22N-82380-10-00 | SENSOR, PRESSURE | 1 | |
| 22 | 90119-06096-00 | BOLT, WITH WASHER | 2 | |
| 23 | 90465-13169-00 | CALMP | 1 | |
| 24 | 3JV-82501-00-00 | MAIN SWITCH STEERING LOCK | 1 | |
| 25 | 97011-06016-00 | BOLT | 2 | |
| 26 | 92990-06600-00 | WASHER, PLATE | 2 | |
| 27 | 4AH-82590-00-00 | WIRE HARNESS ASSEMBLY | 1 | |

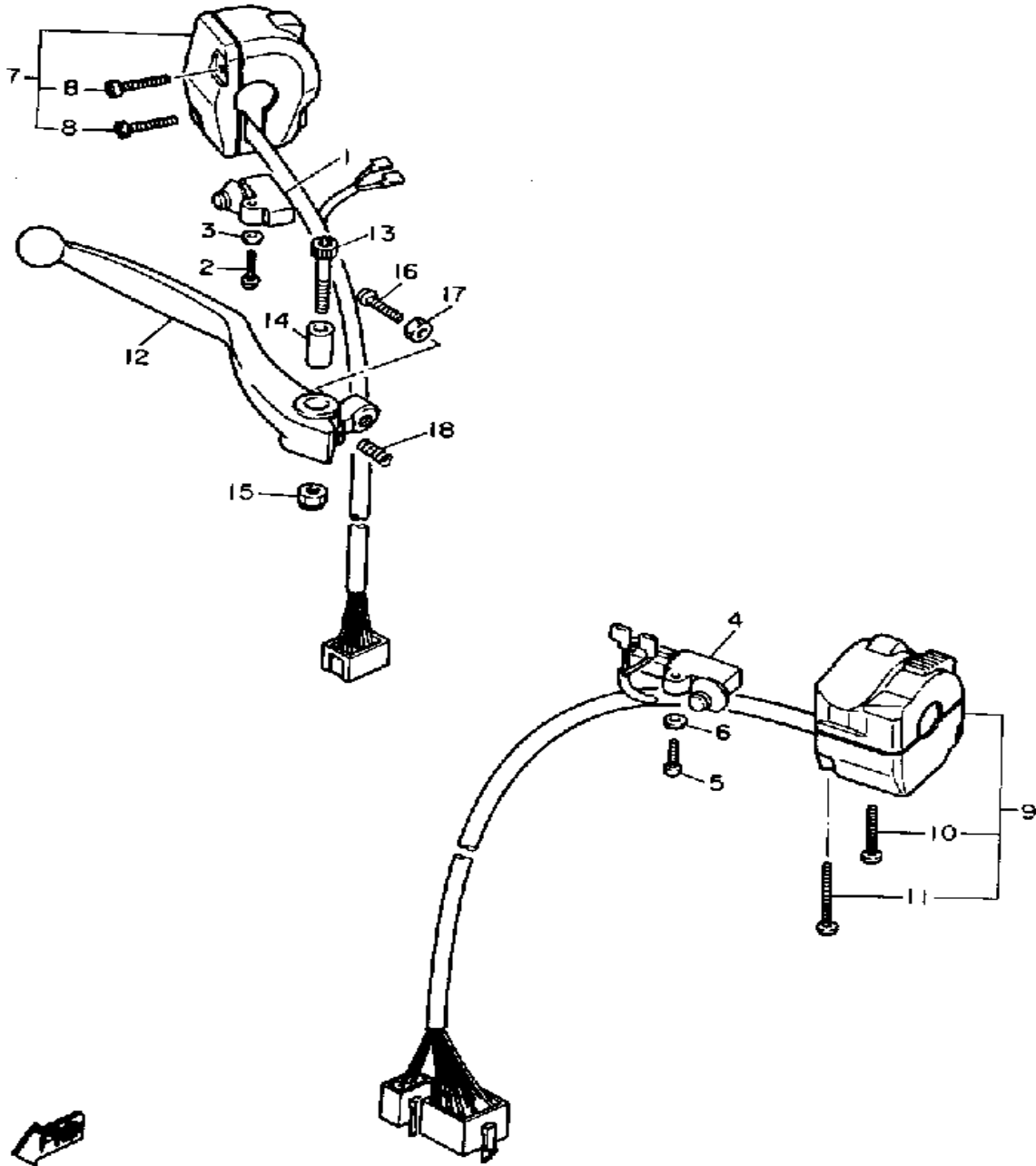
CONTINUED ON NEXT FRAME ►

ELECTRICAL 2



| Ref. No. | Part Number | Description | Qty | Remarks |
|----------|-----------------|-------------------------|-----|---------------|
| 28 | 1AE-82151-00-00 | . FUSE (30A-BL) | 2 | |
| 29 | 36Y-82151-00-00 | . FUSE (15A-BL) | 2 | |
| 30 | 42X-82151-00-00 | . FUSE (10A-BL) | 3 | |
| 31 | 97701-50014-00 | SCREW, TAPPING | 2 | |
| 32 | 4AH-82580-00-00 | WIRE HARNESS ASSEMBLY 2 | 1 | |
| 33 | 3XW-82530-01-00 | STOP SWITCH ASSEMBLY | 1 | |
| 34 | 3XW-82509-00-00 | WIRE, SUB LEAD | 1 | |
| 35 | 5Y9-12491-00-00 | CLAMP 1 | 6 | |
| 36 | 90465-13169-00 | CALMP | 8 | |
| 37 | 90464-35132-00 | CLAMP | 1 | |
| 38 | 90464-14117-00 | CLAMP | 4 | |
| 39 | 90464-20044-00 | CLAMP | 1 | |
| 40 | 42H-85740-00-00 | CONTROL UNIT ASSEMBLY | 1 | FOR FUEL PUMP |
| 41 | 3TJ-83964-00-00 | SWITCH | 1 | |
| 42 | 90154-05005-00 | SCREW, BINDING | 2 | |
| 43 | 3XW-82566-00-00 | SWITCH, SIDE STAND | 1 | |
| 44 | 90157-05079-00 | SCREW, PAN HEAD | 2 | |
| 45 | 90464-13073-00 | CLAMP | 1 | |
| 46 | 90464-13073-00 | CLAMP | 1 | |

HANDLE SWITCH - LEVER



4AH110-1460

| Ref. No. | Part Number | Description | Qty | Remarks |
|----------|-----------------|---------------------------|-----|---------|
| 1 | J45-82503-01-00 | SWITCH, ALARM | 1 | |
| 2 | 98506-04018-00 | SCREW, PAN HEAD | 1 | |
| 3 | 92906-04600-00 | WASHER, PLATE | 1 | |
| 4 | 3XW-82917-00-00 | SWITCH | 1 | |
| 5 | 98506-04018-00 | SCREW, PAN HEAD | 1 | |
| 6 | 92906-04600-00 | WASHER, PLATE | 1 | |
| 7 | 3XW-83975-00-00 | SWITCH, HANDLE 2 | 1 | |
| 8 | 90157-05057-00 | . SCREW, PANHEAD | 2 | |
| 9 | 4AH-83973-00-00 | SWITCH, HANDLE 3 | 1 | |
| 10 | 98506-05030-00 | . SCREW, PAN HEAD | 1 | |
| 11 | 98506-05040-00 | . SCREW, PAN HEAD | 1 | |
| 12 | 36Y-83922-00-00 | LEVER R | 1 | |
| 13 | 90110-06074-00 | BOLT, HEXAGON SOCKET HEAD | 1 | |
| 14 | 36Y-83913-01-00 | COLLAR, LEVER 1 | 1 | |
| 15 | 95616-06100-00 | NUT, U | 1 | |
| 16 | 90149-06153-00 | SCREW, SPEC'L SHAPE | 1 | |
| 17 | 90170-06010-00 | NUT | 1 | |
| 18 | 90501-10312-00 | SPRING, COMPRESSION | 1 | |

FJ1200D, DC 1992 SERVICE DATA

| | |
|--|---|
| MODEL / MODEL CODE | FJ1200D / 4AH FJ1200DC / 4AH |
| INITIAL ENGINE NUMBER / FRAME NUMBER | D: 4AH-005101 / JYA4AHE0()NA005101 DC: 4AH-008101/JYA4AHC0()NA008101 |
| ENGINE: | Air-Cooled, Four-Stroke, DOHC Four |
| Bore / Stroke / Number Cylinders / Displacement | 77mm / 63.8mm / 4 / 1188cc |
| Piston Skirt Clearance New / Max | 0.03 ~ 0.05mm / 0.1mm |
| Valve Clearance (Cold): Intake / Exhaust | 0.11~0.15mm / 0.16~0.20mm |
| Oil Type: Above 5°C (40°F) | Yamalube 4* or SAE 20W40 SE or SF |
| Oil Type: Below 15°C (60°F) | Yamalube 4* or SAE 10W30 SE or SF |
| Capacity: Oil and Filter Change / Oil Change Only | 3350cc (3.5 qt) / 3000cc (3.2 qt) |
| Oil Filter Part Number | 36Y-13441-00-00 |
| TRANSMISSION: | |
| Oil Type / Capacity / Drive Chain Free Play | See ENGINE / \emptyset / 15~20mm |
| MIDDLE GEAR CASE: Oil Type / Capacity | \emptyset / \emptyset |
| FINAL GEAR CASE: Oil or Grease Type / Capacity | \emptyset / \emptyset |
| FUEL TANK: Main / Reserve / Fuel Type | 22 Lit (5.8 gal) / 5 Lit (1.3 gal) / Unleaded Regular |
| COOLING SYSTEM: Coolant Type / Mixing Ratio (Liquid) | \emptyset / \emptyset |
| CARBURETOR: | |
| Manufacturer / Type / ID Number | Mikuni / BS36 / D: 4AH-00 DC: 4AH-10 |
| Main Jet / Pilot Jet / Pilot Screw (Turns Out) | #110 / #37.5 / \emptyset |
| Needle Jet / Jet Needle / Clip Position | Y-2 (#378) / 5FZ72 / Fixed |
| Slide Cutaway | \emptyset |
| Float Height / Fuel Level | 22.3 \pm 1mm / 3 \pm 1mm (With Special Tool) |
| Idle rpm | 1100 \pm 50 |
| Max Co \emptyset / Max HC \emptyset / Set Co \emptyset | 7.0% / 800 ppm / 3.5 \pm 0.5% @ 1100 rpm |
| SUSPENSION: | |
| Front: Oil Type / Level / Quantity | 10 wt. Fork Oil* / 142mm / 446cc |
| Gas or Air Pressure Min ~ Max / Standard | \emptyset / \emptyset |
| Rear: Gas or Air Pressure Min ~ Max / Standard | \emptyset / \emptyset |
| TIRES: Size / Nominal Pressure: Front | 120/70 V17-V250 / 2.25 kg/cm ² (32 psi) |
| Size / Nominal Pressure: Rear | 150/80 V16 V250 / 2.5 kg/cm ² (36 psi) |
| CHARGING SYSTEM: | AC Generator / Three Phase / Full Wave |
| Battery: Model / Specific Gravity / Charge Rate | YTX14-BS (12V12AH) / 1.320 / 1.2A |
| Maximum Output | 14V28A @ 5000 rpm |
| Field Coil Rotor Ω | 4 Ω \pm 5% @ 20°C (68°F) |
| Stator Coil Color Code / Ω | W ~ W / 0.196 Ω \pm 2.5% |
| Charge Coil Color Code / Ω | \emptyset / \emptyset |
| IGNITION SYSTEM: | Transistor Controlled (Digital) |
| Ignition Timing | 5° @ 1000 rpm |
| Spark Plug Type | NGK DP8EA-9 or ND X24EP-U9 |
| Spark Plug Gap / Torque / Cap Ω | 0.8~0.9mm / 1.75m·kg (12.5 ft·lb) / 10K Ω |
| Ignition Coil Test Gap / Primary Ω / Secondary Ω | 6mm / 2.7 Ω \pm 10% / 12K Ω \pm 20% |
| Pulser Coil or Pickup Coil Color Code / Ω | O~B / B ~ Gy / 165 Ω \pm 10% |
| Source Coil Color Code / Ω | \emptyset / \emptyset |

\emptyset - Does not apply to this model
NA - Information not available

* - Available from YPAD
 \emptyset - For diagnostic use only

| | |
|--|--|
| LIGHTING SYSTEM | |
| Headlight / Taillight / Turn Signal | 12V60-55W / 12V8W-27W / 12V27W/8W(F) 12V27W(R) |
| Lighting Coil Color Code / Ω | \emptyset / \emptyset |
| TORQUE VALUES: | |
| Front Axle Nut | M14: 7.8m·kg (56 ft·lb) |
| Front Axle Holder Nut | M8: 2.0m·kg (14 ft·lb) |
| Rear Axle Nut | M18: 15m·kg (110 ft·lb) |
| Rear Axle Pinch Bolt | \emptyset |
| Clutch Nut | M20: 7.0m·kg (50 ft·lb) |
| Drain Plug | M14: 4.3m·kg (31 ft·lb) |
| Flywheel Nut | |
| Cylinder Head Cover | M6: 1.0m·kg (7 ft·lb) |
| Cylinder Head | M10: 3.5m·kg (25 ft·lb) |
| Engine Mount: | |
| Engine Bracket (Front) and Frame | M12: 9.0m·kg (65 ft·lb) |
| Engine Bracket (Front) and Engine | M12: 9.0m·kg (65 ft·lb) |
| Engine Bracket (Rear Upper) and Frame | M12: 9.0m·kg (65 ft·lb) |
| Engine Bracket (Rear Upper) and Engine | M10: 6.4m·kg (46 ft·lb) |
| Down Tube (Front) and Frame | M10: 4.8m·kg (35 ft·lb) |
| Down Tube (Rear) and Frame | M10: 3.0m·kg (22 ft·lb) |
| Rear Frame and Frame | M10: 4.8m·kg (35 ft·lb) |
| Pivot Shaft | M14: 9.0m·kg (65 ft·lb) |
| Spark Plug | 1.75m·kg (13 ft·lb) |
| SERVICE LITERATURE: | |
| Owner's Manual | LIT-11626-08-25 |
| Service Manual | LIT-11616-FJ-00 Same as FJ1200L-B |
| Assembly Manual | LIT-11666-07-80 Same as FJ1200B, BC |
| Consumer Information | LIT-11656-04-58 |

\emptyset - Does not apply to this model
NA - Information not available

* - Available from YPAD
 \emptyset - For diagnostic use only

| LIGHTING SYSTEM | |
|--|--|
| Headlight / Taillight / Turn Signal | 12V60-55W / 12V8W-27W / 12V27W/8W(F) 12V27W(R) |
| Lighting Coil Color Code / Ω | \emptyset / \emptyset |
| TORQUE VALUES: | |
| Front Axle Nut | M14: 7.8m-kg (56 ft-lb) |
| Front Axle Holder Nut | M8: 2.0m-kg (14 ft-lb) |
| Rear Axle Nut | M18: 15m-kg (110 ft-lb) |
| Rear Axle Pinch Bolt | \emptyset |
| Clutch Nut | M20: 7.0m-kg (50 ft-lb) |
| Drain Plug | M14: 4.3m-kg (31 ft-lb) |
| Flywheel Nut | |
| Cylinder Head Cover | M8: 1.0m-kg (7 ft-lb) |
| Cylinder Head | M10: 3.5m-kg (25 ft-lb) |
| | |
| Engine Mount: | |
| Engine Bracket (Front) and Frame | M12: 9.0m-kg (65 ft-lb) |
| Engine Bracket (Front) and Engine | M12: 9.0m-kg (65 ft-lb) |
| Engine Bracket (Rear Upper) and Frame | M12: 9.0m-kg (65 ft-lb) |
| Engine Bracket (Rear Upper) and Engine | M10: 6.4m-kg (46 ft-lb) |
| Down Tube (Front) and Frame | M10: 4.8m-kg (35 ft-lb) |
| Down Tube (Rear) and Frame | M10: 3.0m-kg (22 ft-lb) |
| Rear Frame and Frame | M10: 4.8m-kg (35 ft-lb) |
| Pivot Shaft | M14: 9.0m-kg (65 ft-lb) |
| | |
| | |
| Spark Plug | 1.75m-kg (13 ft-lb) |
| SERVICE LITERATURE: | |
| Owner's Manual | LIT-11626-08-25 |
| Service Manual | LIT-11616-FJ-00 Same as FJ1200L-B |
| Assembly Manual | LIT-11666-07-80 Same as FJ1200B, BC |
| Consumer Information | LIT-11656-04-58 |

\emptyset = Does not apply to this model
NA = Information not available

* = Available from YPAD
 \emptyset = For diagnostic use only