

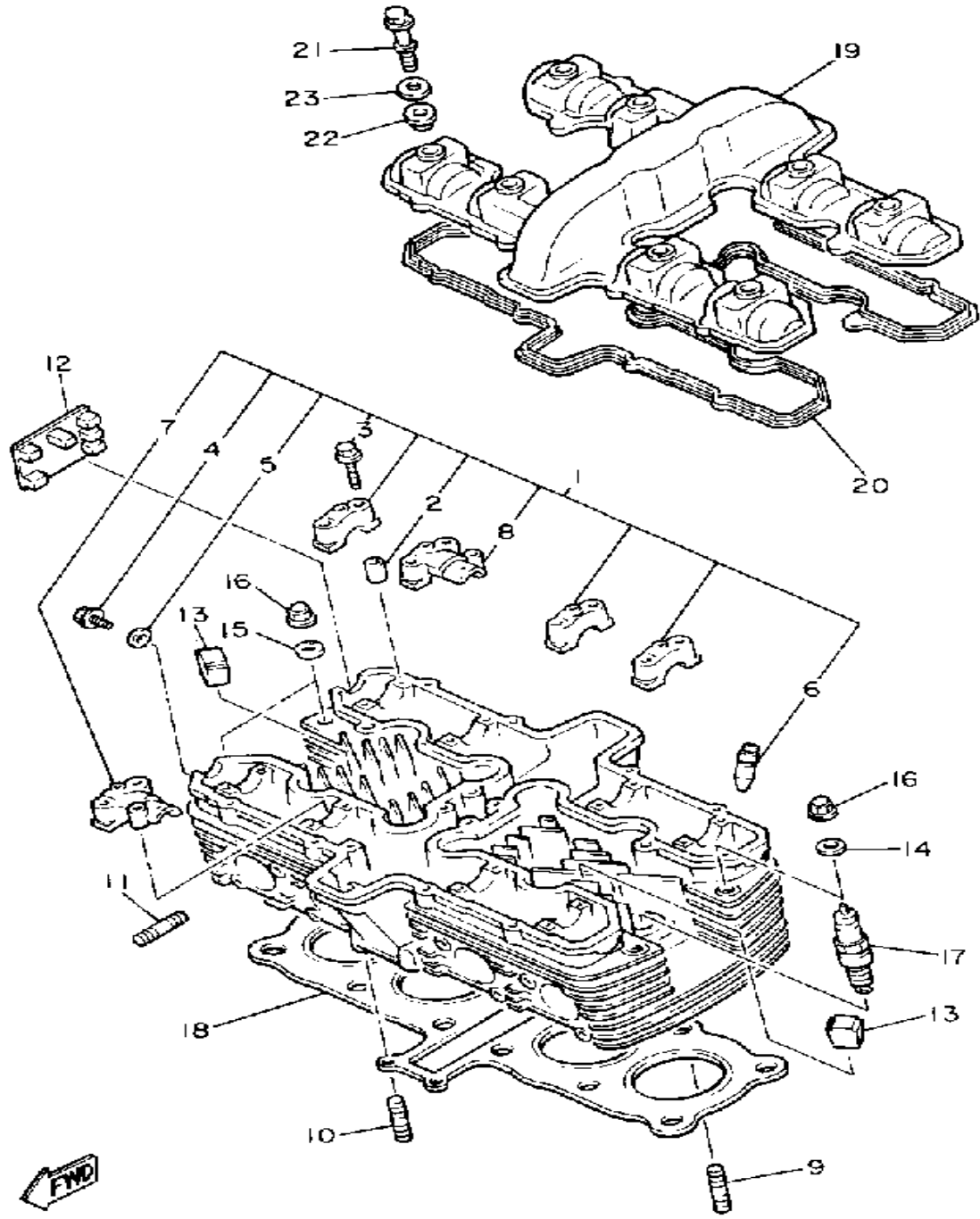
YAMAHA

GENUINE

PARTS CATALOGUE

MOTORCYCLE

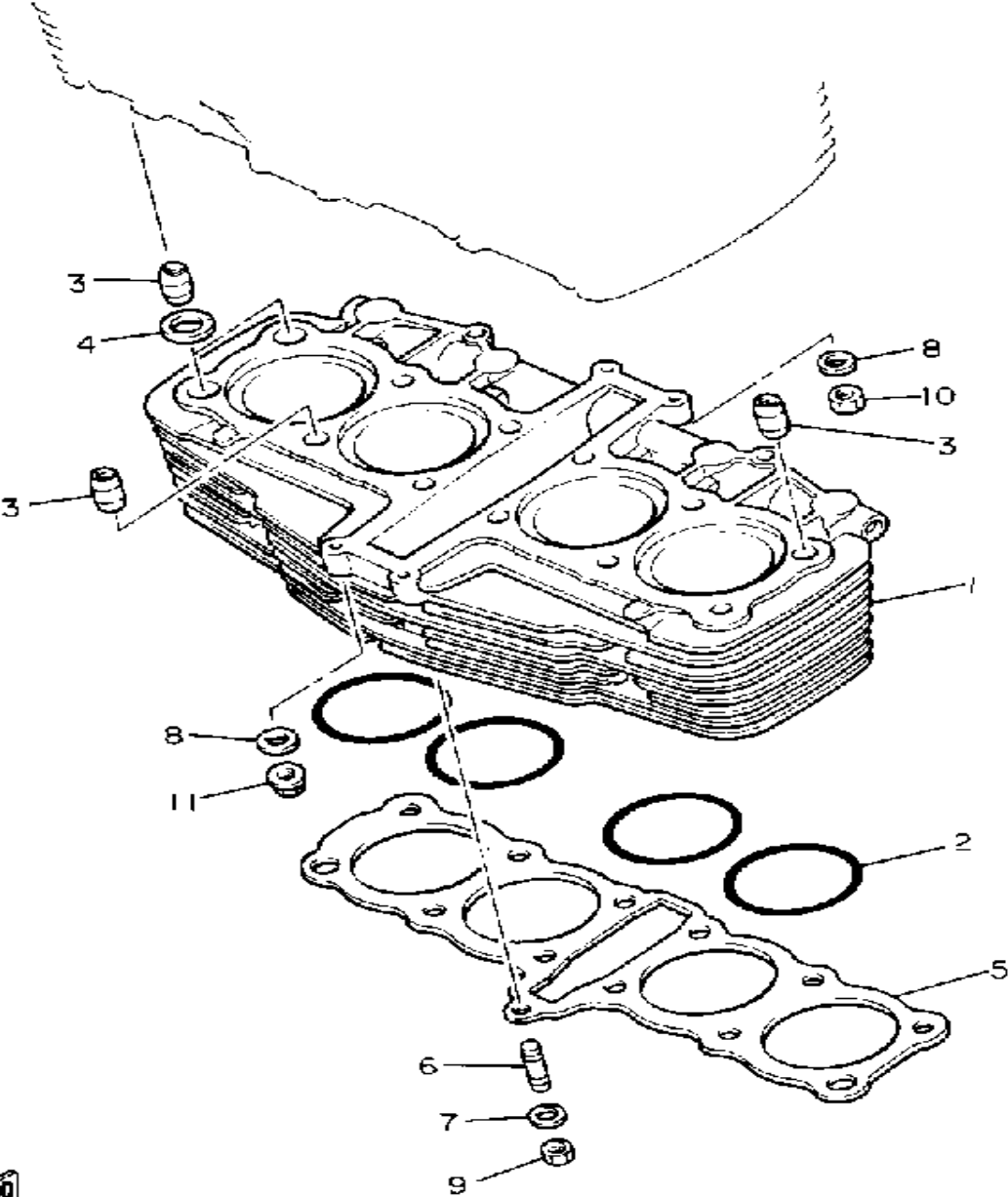
CYLINDER HEAD



3YA332-1010

Ref. No.	Part Number	Description	Qty	Remarks
1	36Y-11101-02-00	CYLINDER HEAD ASSEMBLY	1	
2	99510-08016-00	. PIN, DOWEL	16	
3	90105-06305-00	. BOLT, WASHER BASED	18	
4	90153-06045-00	. SCREW, HEXAGON	1	
5	90430-06014-00	. GASKET	1	
6	36Y-11133-10-00	. GDE, INTK VLV 1 O/S	16	
7	36Y-12193-10-00	. CAP, CAMSHAFT 3	1	
8	36Y-12178-10-00	. CAP, CAMSHAFT 4	1	
9	95612-06625-00	BOLT, STUD	2	
10	95611-06630-00	BOLT, STUD	2	
11	95611-08640-00	BOLT, STUD	8	
12	3XW-11161-00-00	ABSORBER 1	1	
13	434-11161-00-00	ABSORBER 1	16	
14	90201-102G9-00	WASHER, PLATE	10	
15	90201-10128-00	WASHER, PLATE	2	
16	90176-10070-00	NUT, CROWN (3XW)	12	
17	NGK-DP8EA-90-00	PLUG, SPARK (NGK DP8EA-9)	4	
18	1TX-11181-00-00	GASKET, CYLINDER HEAD 1CYLINDER HEAD 1	1	
19	36Y-11191-01-00	COVER, CYLINDER.HEAD 1	1	
20	36Y-11193-00-00	GASKET, HD.COVER 1	1	
21	90109-064F0-00	BOLT	8	
22	2GH-1111G-00-00	RUBBER, MOUNT 1	8	
23	90209-11262-00	WASHER	8	

CYLINDER

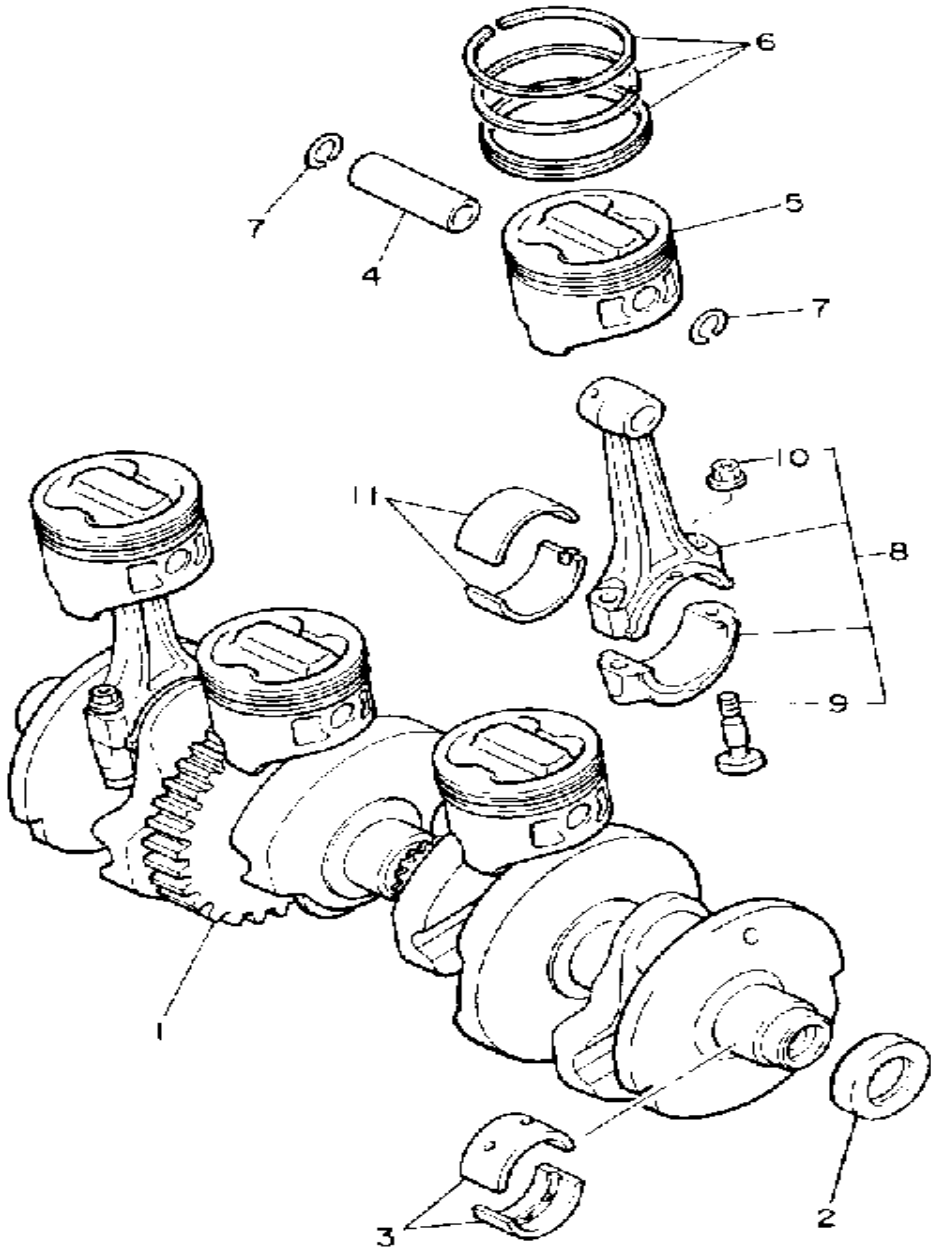


Ref. No.	Part Number	Description	Qty	Remarks
1	1TX-11310-00-00	CYLINDER	1	
2	93210-81731-00	O-RING	4	
3	99530-14016-00	PIN, DOWEL	4	
4	90430-14131-00	GASKET	2	
5	4CR-11351-00-00	GASKET, CYLINDER	1	
6	95611-08330-00	BOLT, STUD	1	
7	90201-084G3-00	WASHER, PLATE	1	
8	92901-06600-00	WASHER	4	
9	95333-08600-00	NUT	1	
10	95311-06600-00	NUT	2	
11	90179-06499-00	NUT	2	



36Y310-4020

CRANKSHAFT

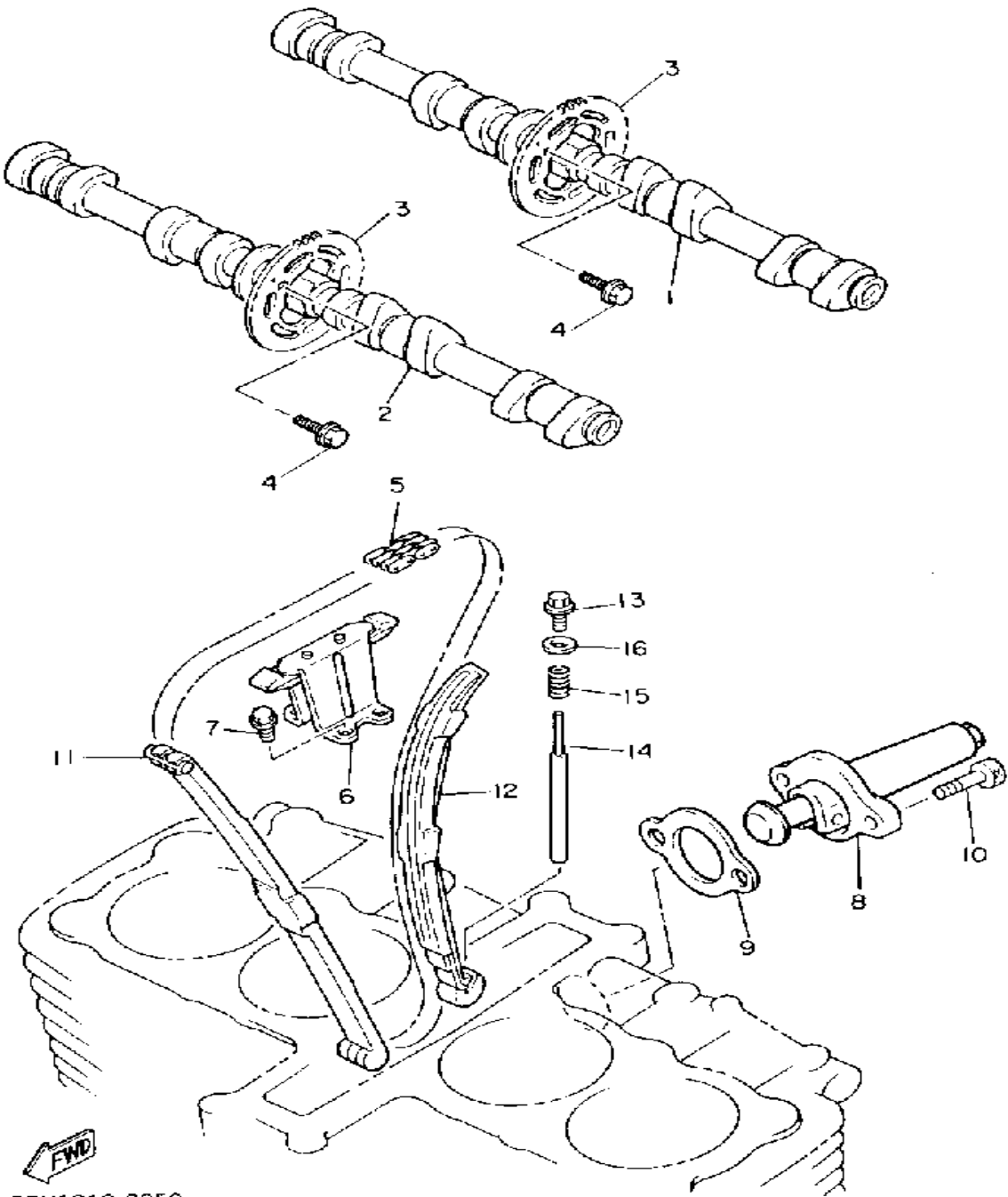


Ref. No.	Part Number	Description	Qty	Remarks
1	36Y-11411-01-00	CRANKSHAFT (36Y-11411-01-00)	1	
2	36Y-15389-09-00	OIL SEAL	1	
3	2H7-11416-01-00	PLANE BRNG, CRSF 1CRANKSHAFT 1	10	UR BLUE
	2H7-11416-11-00	PLANE BRNG, CRSF 1CRANKSHAFT 1	10	UR BLACK
	2H7-11416-21-00	PLANE BRNG, CRSF 1CRANKSHAFT 1	10	UR BROWN
	2H7-11416-31-00	PLANE BRNG, CRSF 1CRANKSHAFT 1	10	UR GREEN
	2H7-11416-41-00	PLANE BRNG, CRSF 1CRANKSHAFT 1	10	UR YELLOW
4	30X-11633-03-00	PIN, PISTON	4	
5	1TX-11631-00-A0	PISTON STD	4	
	1TX-11636-00-00	PISTON 2 O/S 0.0	4	AP
6	1TX-11610-00-00	PISTON RING SET	4	
	1TX-11610-20-00	PISTON RING SET (0.50MM O/S)	4	AP
7	93450-19052-00	CIRCLIP	8	
8	36Y-11650-00-00	CONNECTING ROD ASSEMBLY	4	
9	36Y-11654-00-00	. BOLT, CONNECTING ROD	2	
10	90179-08327-00	. NUT	2	
11	36Y-11656-00-00	PLANE BRNG, CON RODCONNECTING ROD	8	UR PINK
	36Y-11656-10-00	PLANE BRNG, CON RODCONNECTING ROD	8	UR BLUE
	36Y-11656-20-00	PLANE BRNG, CON RODCONNECTING ROD	8	UR BLACK
	36Y-11656-30-00	PLANE BRNG, CON RODCONNECTING ROD	8	UR BROWN



36Y310-4030

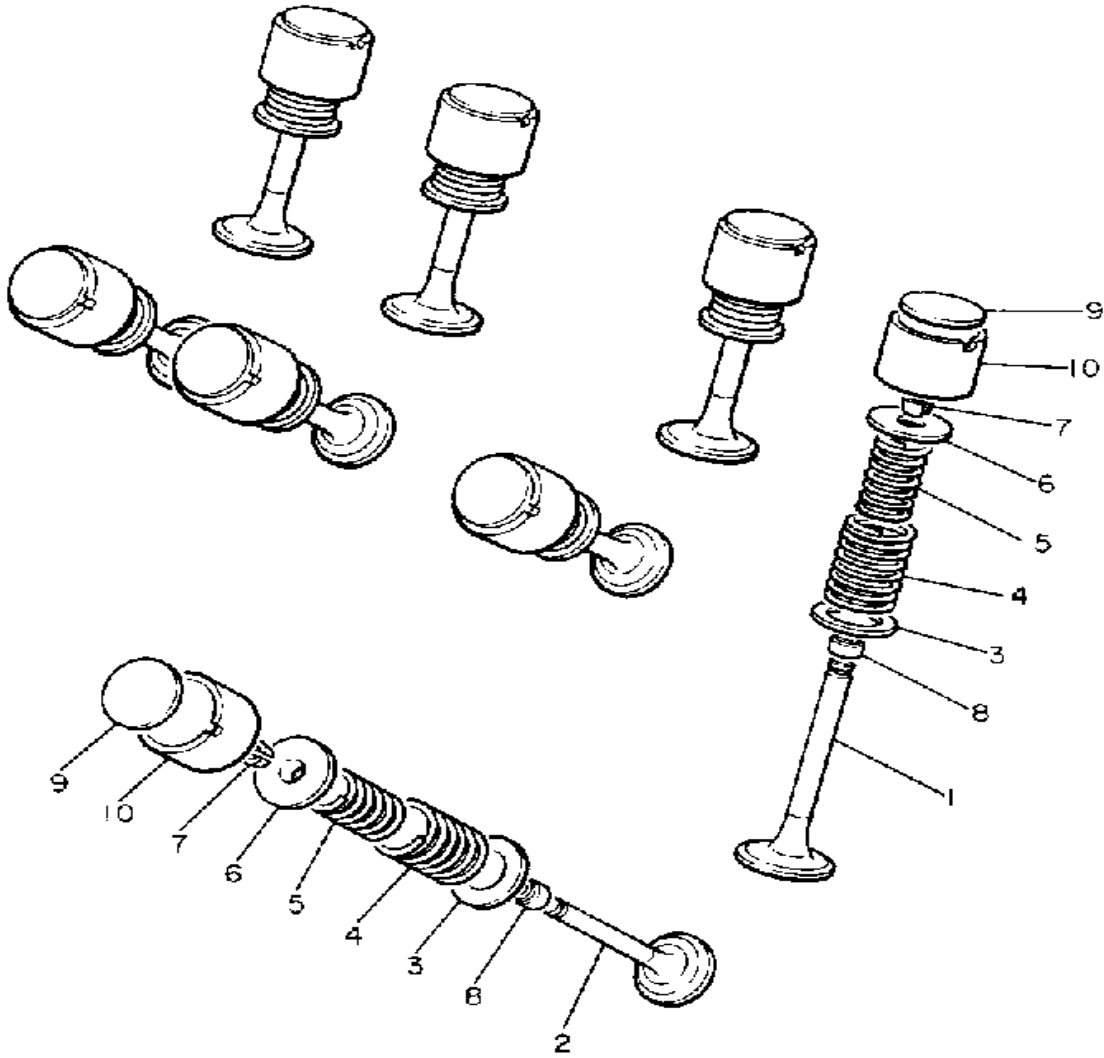
CAMSHAFT



FWD
3CV1310-8050

Ref. No.	Part Number	Description	Qty	Remarks
1	47M-12171-00-00	CAMSHAFT 1	1	
2	47M-12181-00-00	CAMSHAFT 2	1	
3	36Y-12176-00-00	SPROCKET, CAM CHAIN	2	
4	90105-07087-00	BOLT, WASHER BASED	4	
5	94591-05156-00	CHAIN, CAM	1	
6	36Y-12241-01-00	GUIDE, STOPPER 2	1	
7	90105-06424-00	BOLT, WASHER BASED	4	
8	1TX-12210-00-00	TENSNR ASSEMBLY, CAM CHNCAM CHAIN	1	
9	4BE-12213-00-00	GASKET, TENSIONER CASE ..	1	
10	91316-06025-00	BOLT	2	
11	36Y-12251-00-00	DAMPER, CHAIN 1	1	
12	36Y-12252-03-00	DAMPER, CHAIN 2	1	
13	90340-10108-00	PLUG, STRAIGHT SCRW	1	
14	90249-04184-00	PIN, SPEC"L SHAPE	1	
15	90501-153A2-00	SPRING, COMPRESSION	1	
16	90201-10118-00	WASHER, PLATE	1	

VALVE



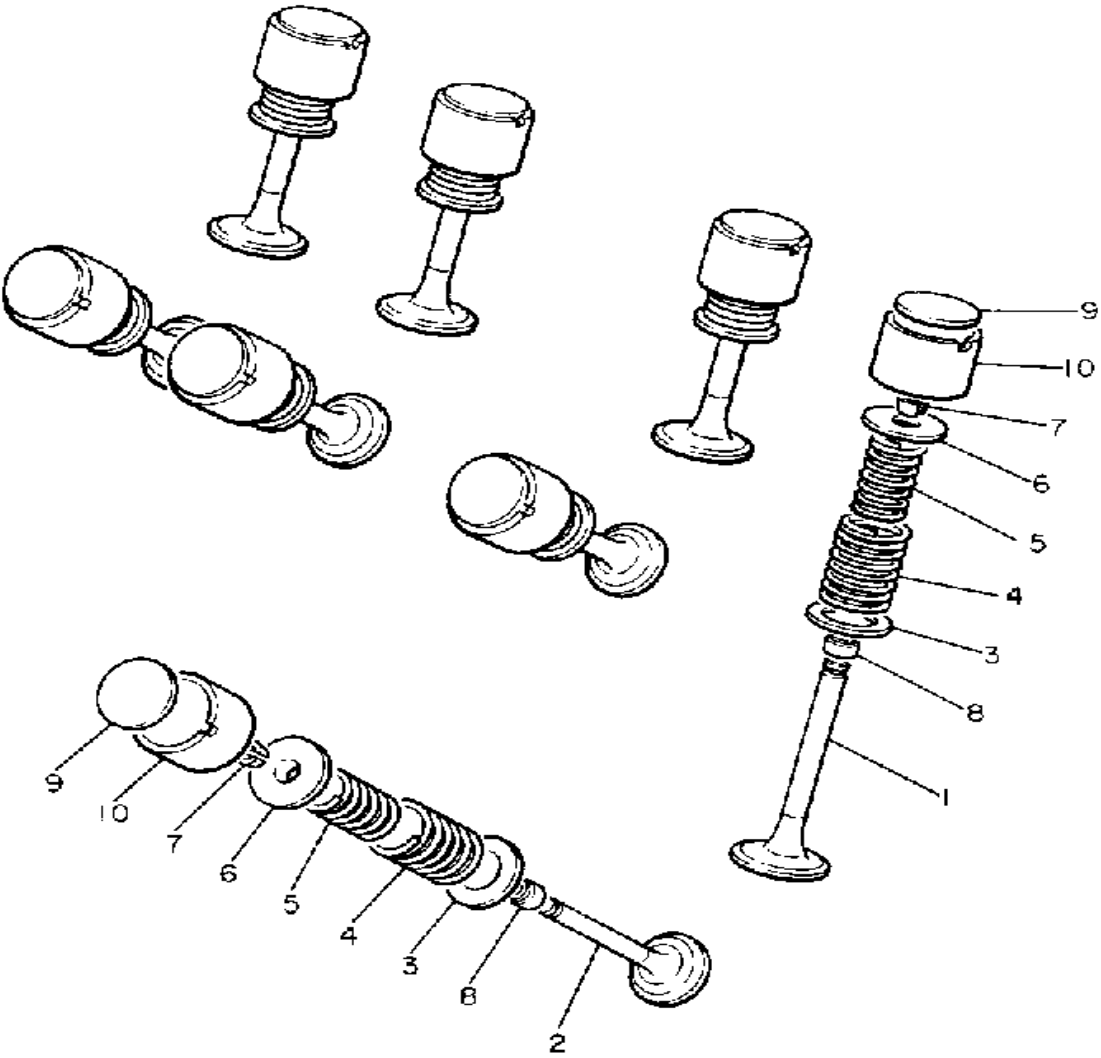
Ref. No.	Part Number	Description	Qty	Remarks
1	36Y-12111-00-00	VALVE, INTAKE	8	
2	36Y-12121-00-00	VALVE, EXHAUST	8	
3	26H-12116-00-00	SEAT, VALVE SPRING	16	
4	36Y-12113-00-00	SPRING, VALVE INNER	16	
5	36Y-12114-00-00	SPRING, VALVE OUTER	16	
6	30X-12117-00-00	RETAINER, VALVE SPRING	16	
7	30X-12118-00-00	COTTER, VALVE	32	
8	51Y-12119-00-00	SEAL, VALVE STEM	16	
9	26H-12168-00-00	PAD, ADJUSTING (2.00)	16	UR
	26H-12168-20-00	PAD, ADJUSTING (2.05)	16	
	26H-12168-40-00	PAD, ADJUSTING (2.10)	16	
	26H-12168-60-00	PAD, ADJUSTING (2.15)	16	UR
	26H-12168-80-00	PAD, ADJUSTING (2.20)	16	
	26H-12168-A0-00	PAD, ADJUSTING (2.25)	16	
	26H-12168-F0-00	PAD, ADJUSTING (2.30)	16	
	26H-12168-H0-00	PAD, ADJUSTING (2.35)	16	
	26H-12168-K0-00	PAD, ADJUSTING (2.40)	16	
	26H-12168-M0-00	PAD, ADJUSTING (2.45)	16	
	26H-12168-R0-00	PAD, ADJUSTING (2.50)	16	
	26H-12168-U0-00	PAD, ADJUSTING (2.55)	16	
	26H-12168-W0-00	PAD, ADJUSTING (2.60)	16	
	26H-12168-Y0-00	PAD, ADJUSTING (2.65)	16	
	26H-12169-10-00	PAD, ADJUSTING (2.70)	16	
	26H-12169-30-00	PAD, ADJUSTING (2.75)	16	UR
	26H-12169-50-00	PAD, ADJUSTING (2.80)	16	
	26H-12169-70-00	PAD, ADJUSTING (2.85)	16	
	26H-12169-90-00	PAD, ADJUSTING (2.90)	16	
	26H-12169-E0-00	PAD, ADJUSTING (2.95)	16	
	26H-12169-G0-00	PAD, ADJUSTING (3.00)	16	



4H7110-0050

CONTINUED ON NEXT FRAME ➤

VALVE

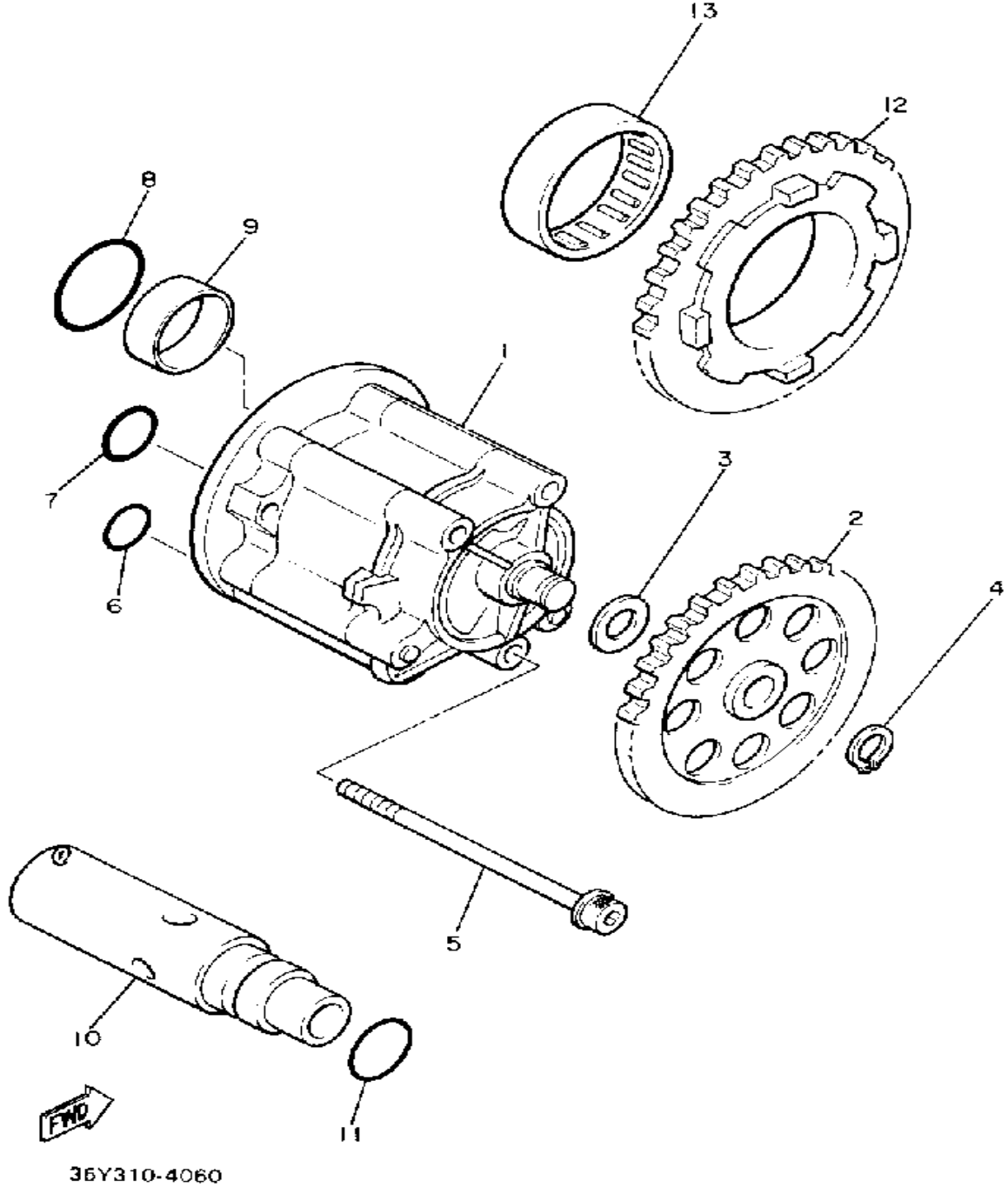


Ref. No.	Part Number	Description	Qty	Remarks
9	26H-12169-J0-00	PAD, ADJUSTING (3.05)	16	
	26H-12169-L0-00	PAD, ADJUSTING (3.10)	16	
	26H-12169-N0-00	PAD, ADJUSTING (3.15)	16	
	26H-12169-T0-00	PAD, ADJUSTING (3.20)	16	
10	26H-12153-00-J0	LIFTER, VALVE (O/S)	16	
	26H-12153-00-Y0	LIFTER, VALVE	16	



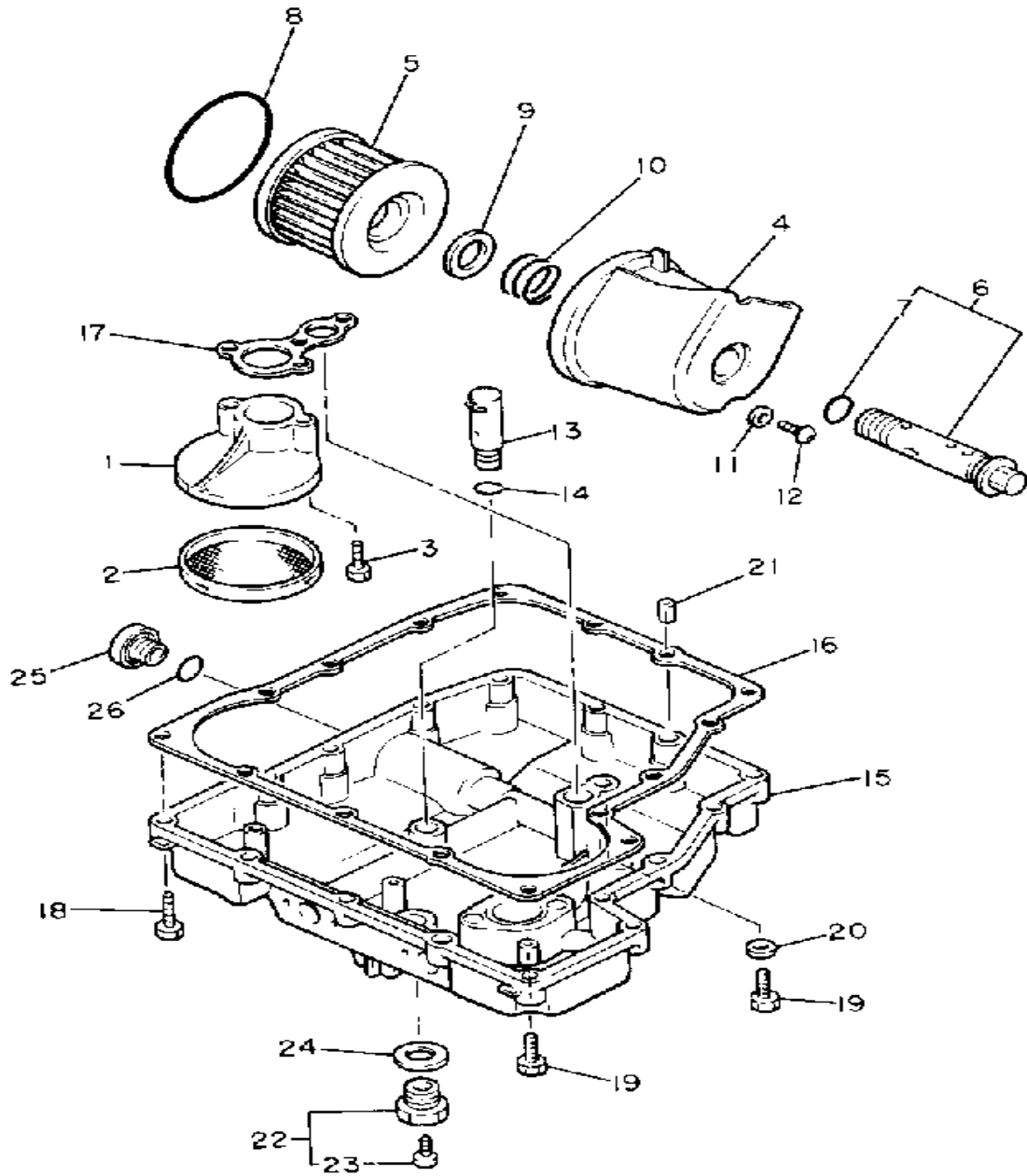
4H7110-0050

OIL PUMP



Ref. No.	Part Number	Description	Qty	Remarks
1	3CV-13300-00-00	OIL PUMP ASSEMBLY	1	
2	36Y-13325-00-00	GEAR, PUMP DRIVEN	1	
3	90201-106H7-00	WASHER, PLATE	1	
4	93440-09139-00	CIRCLIP, OUTER	1	
5	95811-06080-00	BOLT, FLANGE	3	
6	93210-13657-00	O-RING	1	
7	93210-15566-00	O-RING	1	
8	93210-26658-00	O-RING	1	
9	93626-08210-00	PIN, DOWEL (36Y)	1	
10	36Y-13490-00-00	RELIEF VALVE ASSEMBLY ...	1	
11	93210-15566-00	O-RING	1	
12	36Y-13324-00-00	GEAR, PUMP DRIVE	1	
13	93315-23612-00	BEARING	1	

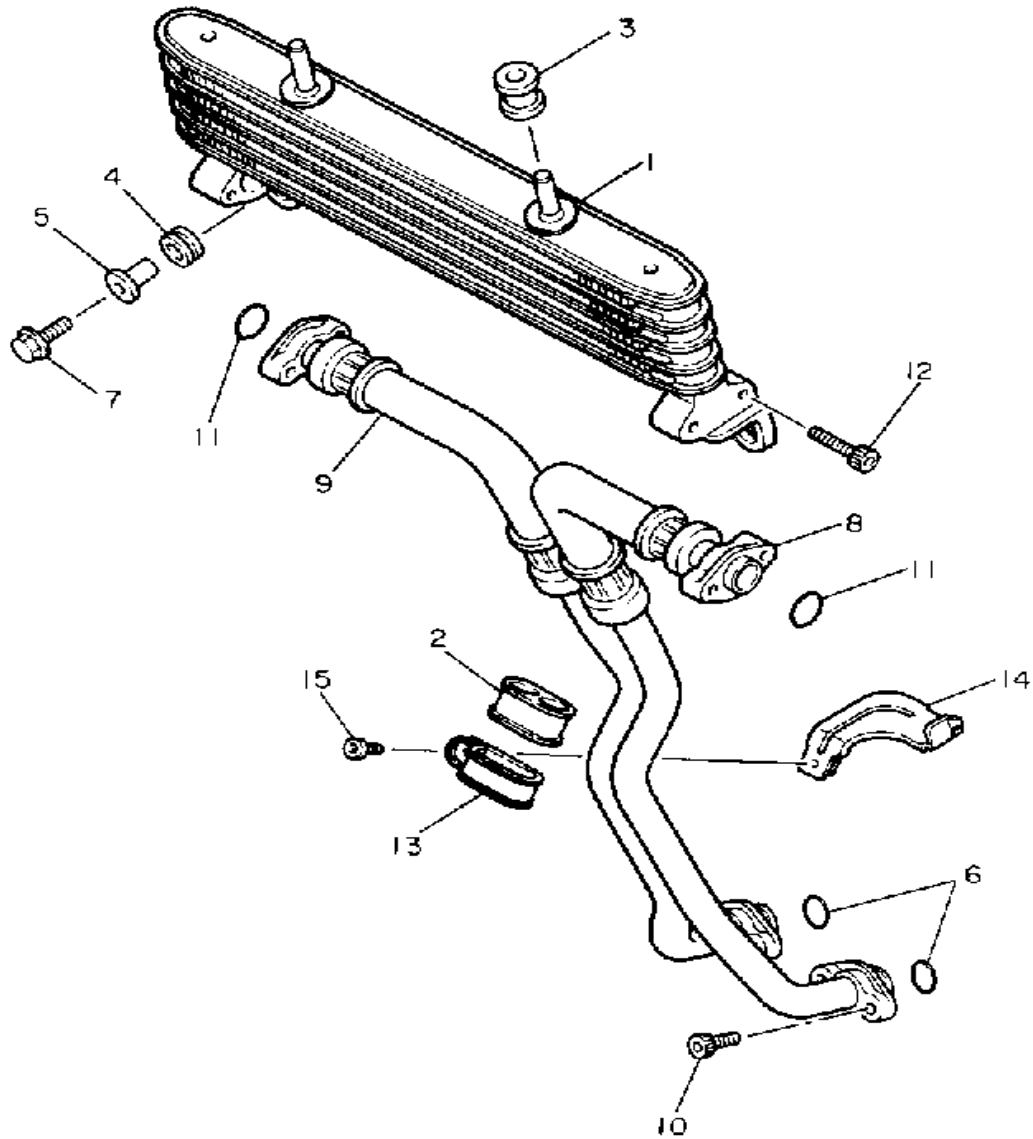
OIL FILTER



Ref. No.	Part Number	Description	Qty	Remarks
1	36Y-13412-00-00	HOUSING, STRAINER	1	
2	4H7-13411-02-00	STRAINER, OIL	1	
3	91316-06020-00	BOLT, SOCKET HEAD	2	
4	36Y-13447-01-00	COVER, OIL ELEMENT	1	
5	36Y-13441-00-00	ELEMENT, OIL CLNR	1	
6	36Y-13340-00-00	BY-PASS VALVE ASSEMBLY	1	
7	93210-16629-00	O-RING	1	
8	93210-87723-00	O-RING	1	
9	90201-21608-00	WASHER, PLATE	1	
10	90501-20422-00	SPRING, COMPRESSION	1	
11	90430-05126-00	GASKET	1	
12	90149-05110-00	SCREW	1	
13	25G-13490-00-00	RELIEF VALVE ASSEMBLY	1	
14	93210-10096-00	O-RING	1	
15	36Y-13417-02-00	COVER, STRAINER	1	
16	4CR-13414-00-00	GASKET, STRNR COVERSTRAINER COVER	1	
17	36Y-13415-00-00	SEAL, OIL STRAINER	1	
18	91316-06025-00	BOLT	14	
19	91316-06035-00	BOLT	3	
20	90430-06014-00	GASKET	1	
21	99510-08016-00	PIN, DOWEL	2	
22	3VD-13455-00-00	PLUG	1	
23	98901-06008-00	SCREW, BIND	1	
24	214-11198-01-00	GASKET	1	
25	36Y-15189-00-00	PLUG	1	
26	93210-16629-00	O-RING	1	

FWD
36Y310-4080

OIL COOLER

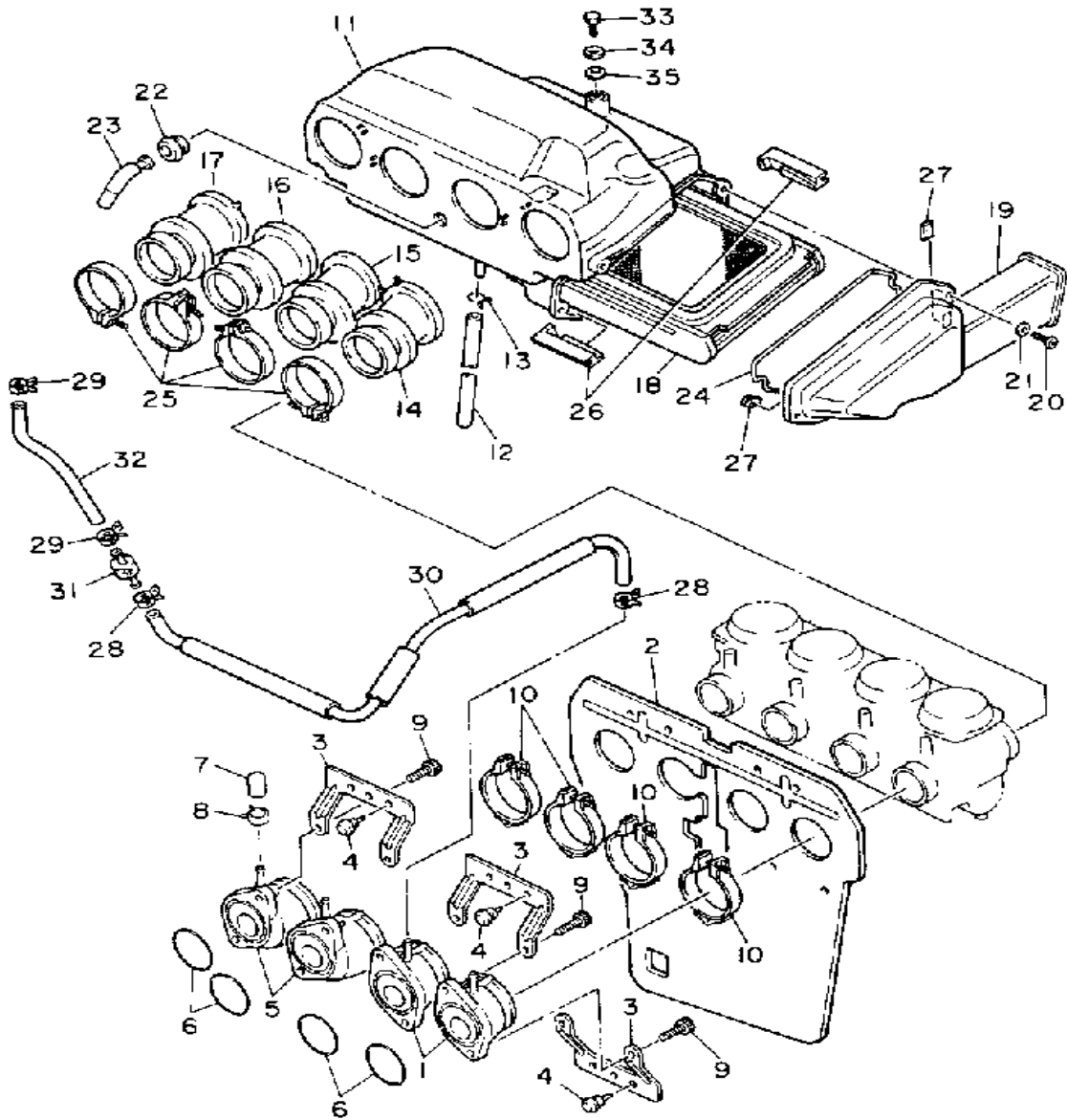


Ref. No.	Part Number	Description	Qty	Remarks
1	3XW-13470-00-00	OIL COOLER ASSEMBLY	1	
2	3XW-13159-00-00	DAMPER	1	
3	90480-16284-00	GROMMET	2	
4	90480-12475-00	GROMMET	2	
5	90387-067K8-00	COLLAR	2	
6	93210-13657-00	O-RING	2	
7	95826-06020-00	BOLT, flange (95806-06020-00)	2	
8	3XW-13464-00-00	HOSE, OIL 1	1	
9	3XW-13465-00-00	HOSE, OIL 2	1	
10	91316-06020-00	BOLT, SOCKET HEAD	4	
11	93210-16629-00	O-RING	2	
12	91316-06040-00	BOLT, SOCKET HEAD	4	
13	3XW-13151-00-00	STAY	1	
14	3XW-13152-00-00	STAY 2	1	
15	91316-06016-00	BOLT, SOCKET HEAD	1	



3YA332-1070

AIR FILTER (NON-CALIFORNIA MODEL)



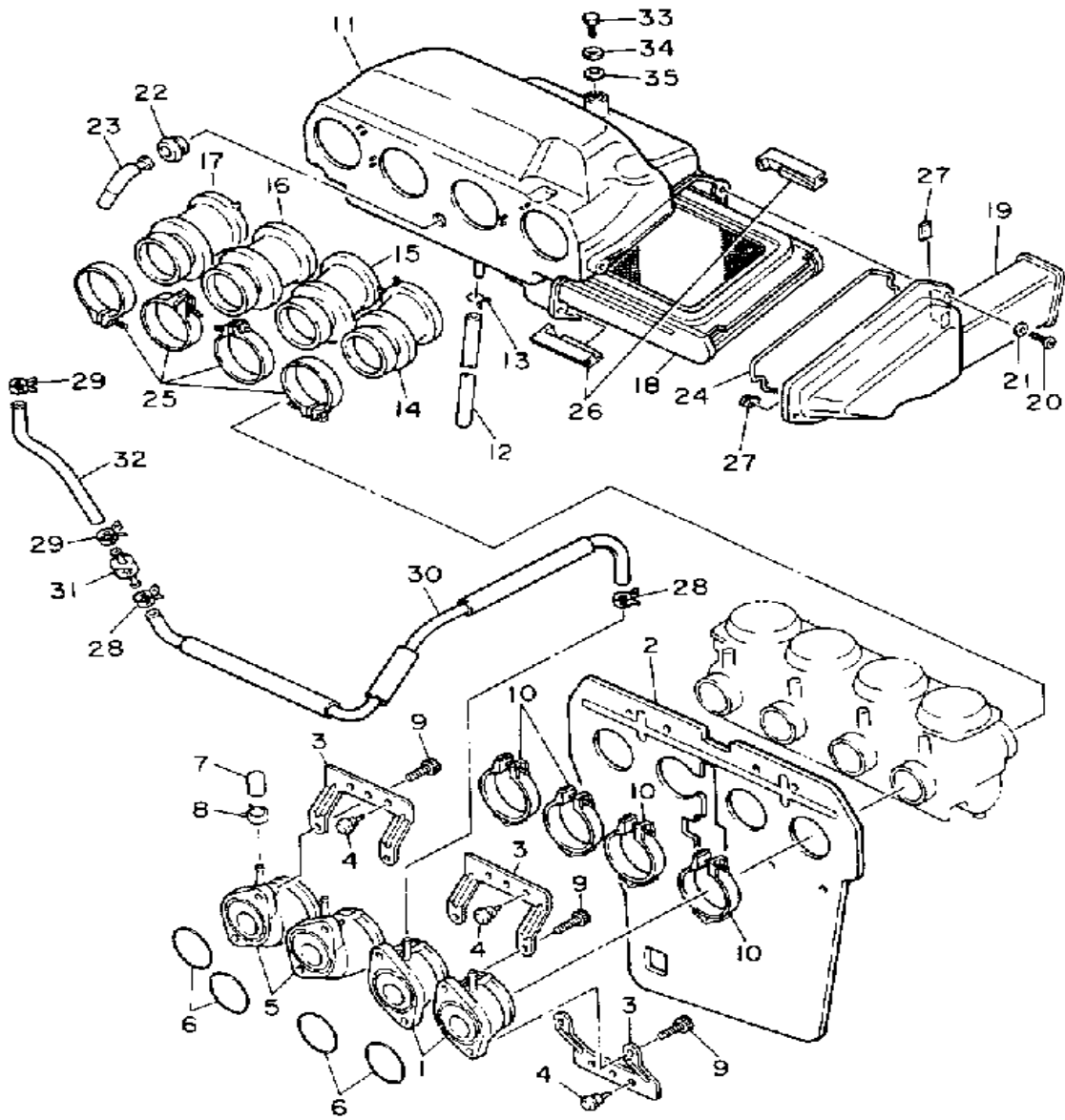
Ref. No.	Part Number	Description	Qty	Remarks
1	36Y-13586-00-00	JOINT, CARBURETOR 1	2	
2	3XW-12682-00-00	HEAT PROTECTOR 1	1	
3	36Y-12637-00-00	STAY 1	3	
4	90480-08395-00	GROMMET	6	
5	36Y-13596-00-00	JOINT, CARBURETOR 2	2	
6	93210-40659-00	O-RING	4	
7	16G-13569-00-00	PLUG, BLIND	3	
8	90467-10039-00	CLIP	3	
9	91316-06020-00	BOLT, SOCKET HEAD	8	
10	90460-52264-00	CLAMP, HOSE (90460-52210-00)	4	
11	3CV-14401-00-00	AIR CLNR CASE ASSEMBLY	1	
12	90445-11182-00	HOSE	1	
13	90467-09006-00	CLIP	1	
14	3XW-1440F-00-00	JOINT, AIR FILTER 1	1	
15	3XW-14453-00-00	JOINT, AIR CLNR 1	1	
16	3XW-14463-00-00	JOINT, AIR CLNR 2	1	
17	3XW-1440G-00-00	JOINT, AIR FILTER 2	1	
18	36Y-14451-00-00	ELEMENT, AIR CLNR	1	
19	3CV-14412-00-00	CAP, CLEANER CASE 1	1	
20	98506-05020-00	SCREW, PAN HEAD	3	
21	92906-05600-00	WASHER, PLATE	3	
22	31A-14435-00-00	GROMMET	1	
23	31A-14419-00-00	PIPE	1	
24	5T0-14457-00-00	SEAL	1	
25	90460-58015-00	CLAMP, HOSE	4	
26	36Y-W1441-00-00	AIR CLEANER CASE	1	
27	36Y-14409-00-00	DAMPER	2	
28	90467-08092-00	CLIP	2	
29	90467-07093-00	CLIP	2	



4AH110-1090

CONTINUED ON NEXT FRAME ►

AIR FILTER (NON-CALIFORNIA MODEL)

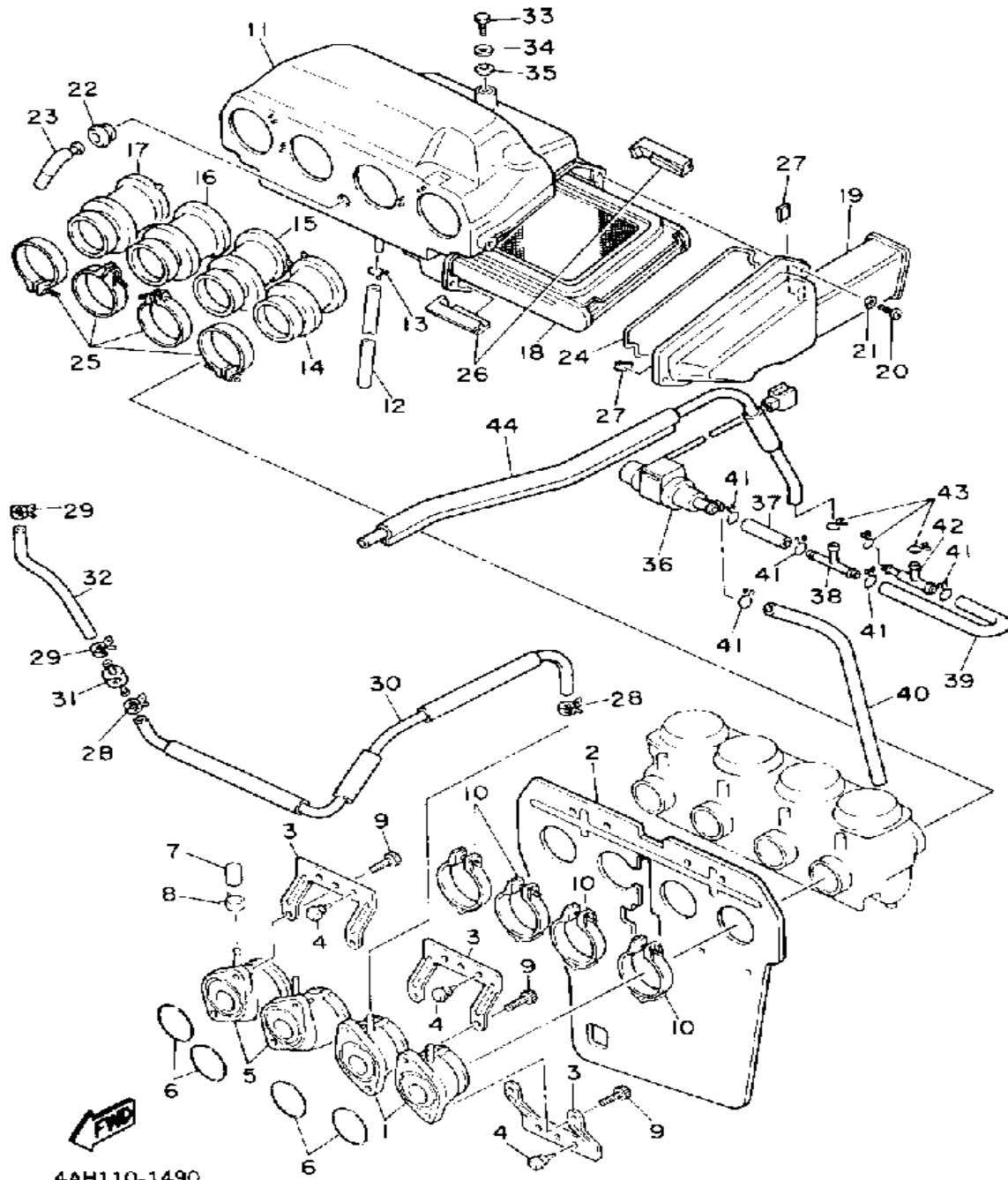


Ref. No.	Part Number	Description	Qty	Remarks
30	3SK-14872-00-00	PIPE 2	1	
31	41R-14489-00-00	NOZZLE	1	
32	90445-08676-00	HOSE (DV)	1	
33	97026-06012-00	BOLT	3	
34	92906-06700-00	WASHER, WAVE	3	
35	92906-06600-00	WASHER	3	



4AH110-1090

AIR FILTER (CALIFORNIA MODEL ONLY)

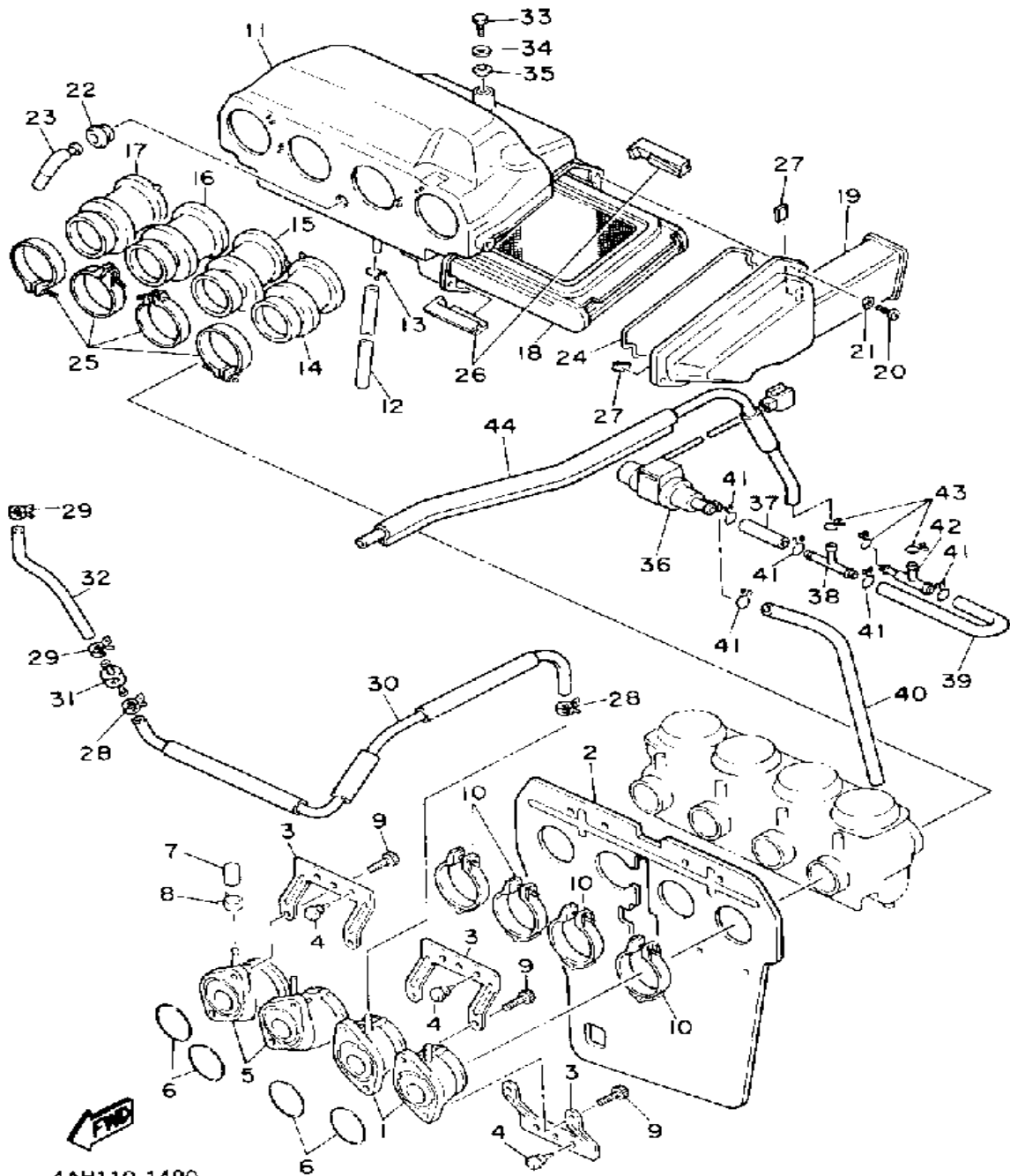


4AH110-1490

Ref. No.	Part Number	Description	Qty	Remarks
1	36Y-13586-00-00	JOINT, CARBURETOR 1	2	
2	3XW-12682-00-00	HEAT PROTECTOR 1	1	
3	36Y-12637-00-00	STAY 1	3	
4	90480-08395-00	GROMMET	6	
5	36Y-13596-00-00	JOINT, CARBURETOR 2	2	
6	93210-40659-00	O-RING	4	
7	16G-13569-00-00	PLUG, BLIND	3	
8	90467-10039-00	CLIP	3	
9	91316-06020-00	BOLT, SOCKET HEAD	8	
10	90460-52264-00	CLAMP, HOSE (90460-52210-00)	4	
11	3CV-14401-00-00	AIR CLNR CASE ASSEMBLY	1	
12	90445-11182-00	HOSE	1	
13	90467-09006-00	CLIP	1	
14	3XW-1440F-00-00	JOINT, AIR FILTER 1	1	
15	3XW-14453-00-00	JOINT, AIR CLNR 1	1	
16	3XW-14463-00-00	JOINT, AIR CLNR 2	1	
17	3XW-1440G-00-00	JOINT, AIR FILTER 2	1	
18	36Y-14451-00-00	ELEMENT, AIR CLNR	1	
19	3CV-14412-00-00	CAP, CLEANER CASE 1	1	
20	98506-05020-00	SCREW, PAN HEAD	3	
21	92906-05600-00	WASHER, PLATE	3	
22	31A-14435-00-00	GROMMET	1	
23	31A-14419-00-00	PIPE	1	
24	5T0-14457-00-00	SEAL	1	
25	90460-58015-00	CLAMP, HOSE	4	
26	36Y-W1441-00-00	AIR CLEANER CASE	1	
27	36Y-14409-00-00	DAMPER	2	
28	90467-08092-00	CLIP	2	
29	90467-07093-00	CLIP	2	

CONTINUED ON NEXT FRAME ►

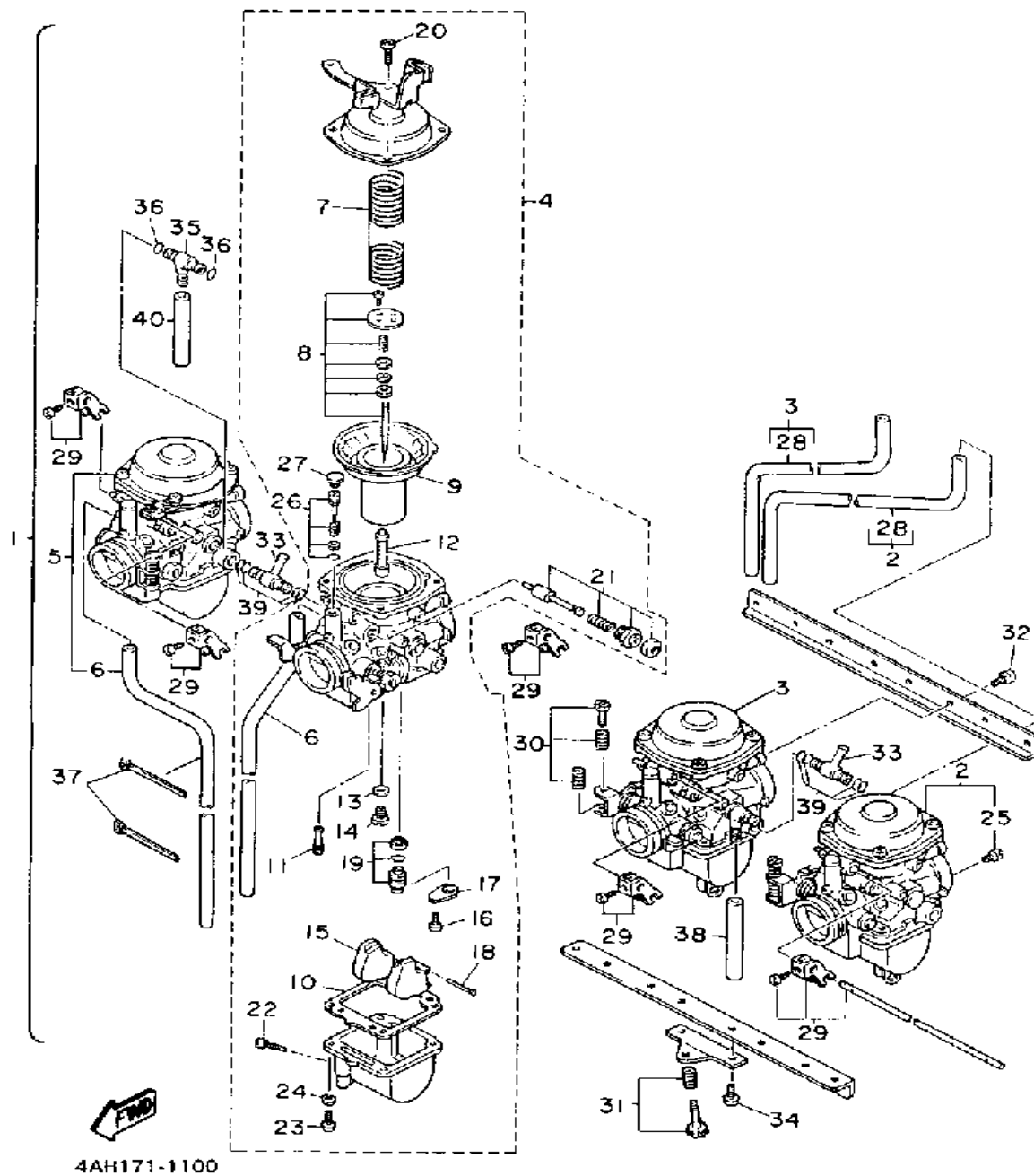
AIR FILTER (CALIFORNIA MODEL ONLY)



4AH110-1490

Ref. No.	Part Number	Description	Qty	Remarks
30	3SK-14872-00-00	PIPE 2	1	
31	41R-14489-00-00	NOZZLE	1	
32	90445-08676-00	HOSE (DV)	1	
33	97026-06012-00	BOLT	3	
34	92906-06700-00	WASHER, WAVE	3	
35	92906-06600-00	WASHER	3	
36	1WJ-14896-00-00	VLV, OUT VENT CON 2CONTROL 2	1	
37	90445-136E2-00	HOSE	1	
38	90413-11028-00	WAY 3	1	
39	(1WJ-14872-00-00)	PIPE 2	1	
40	90445-136E3-00	HOSE	1	
41	90467-12052-00	CLIP	5	
42	90413-11027-00	WAY 3	1	
43	90467-10008-00	CLIP	3	
44	1WJ-14871-00-00	PIPE 1	1	

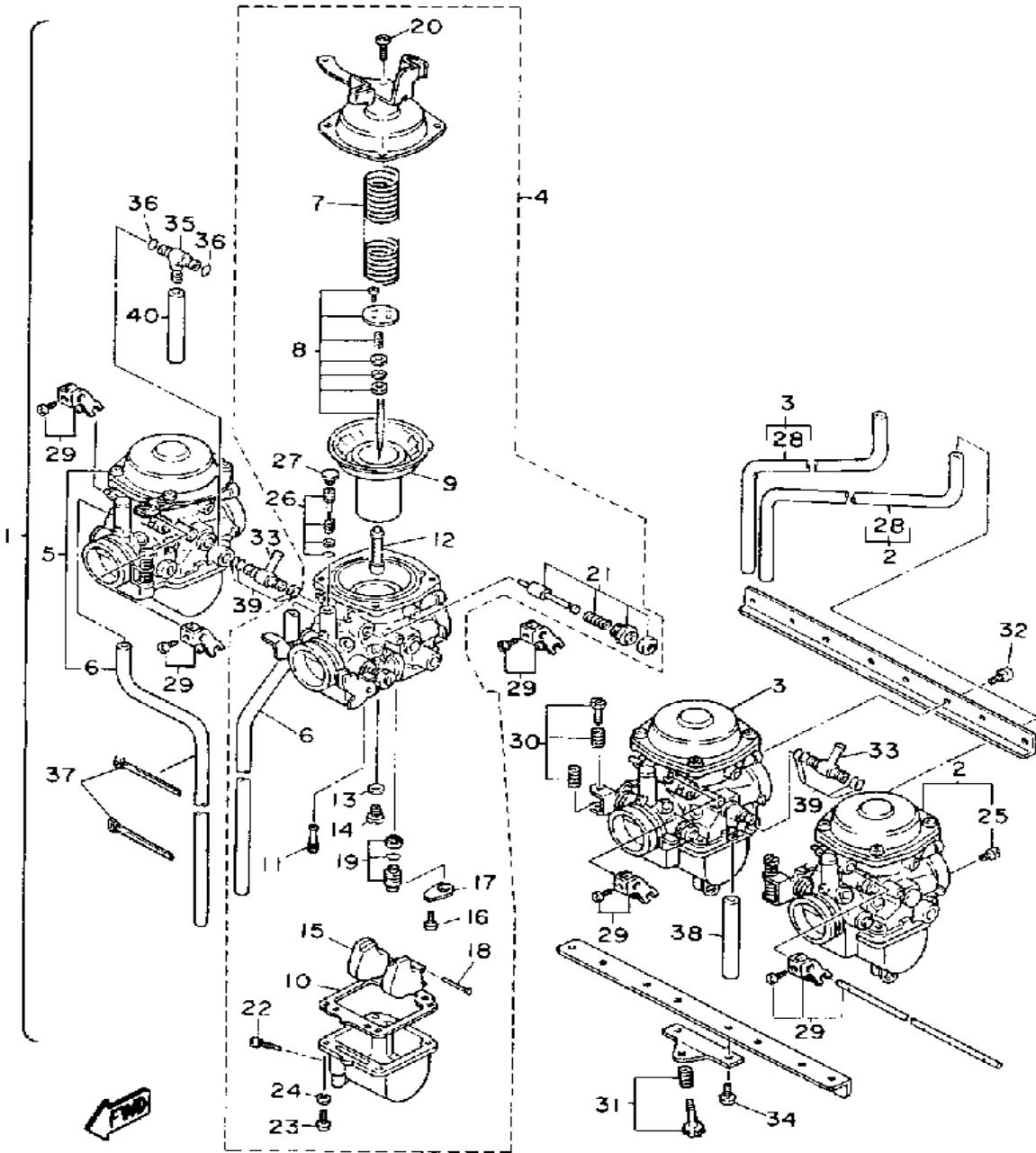
CARBURETOR



Ref. No.	Part Number	Description	Qty	Remarks
1	4A-H1490-00-00	UNAVAILABLE IN PRICE BOOK	1	
	4A-H1491-00-00	UNAVAILABLE IN PRICE BOOK	1	
2	4AH-14901-00-00	CARBURETOR ASSEMBLY 1	1	UR
	4AH-14901-10-00	CARBURETOR ASSEMBLY 1	1	UR
3	4AH-14902-00-00	CARBURETOR ASSEMBLY 2	1	UR
	4AH-14902-10-00	CARBURETOR ASSEMBLY 2	1	UR
4	4AH-14903-00-00	CARBURETOR ASSEMBLY 3	1	UR
	4AH-14903-10-00	CARBURETOR ASSEMBLY 3	1	UR
5	4AH-14904-00-00	CARBURETOR ASSEMBLY 4	1	UR
	4AH-14904-10-00	CARBURETOR ASSEMBLY 4	1	UR
6	26H-14197-01-00	. PIPE	1	
7	3Y6-14933-00-00	. SPRING, DIAPHRAGM	1	
8	1TX-1490J-00-00	. NEEDLE SET	1	
9	50H-14940-00-00	. DIAPHRAGM ASSEMBLY	1	
10	3XW-14984-00-00	. GASKET, FLOAT CHMBR	1	
11	4G0-14142-37-A0	. JET, PILOT #37.5 (4G0-14142-37-00)	1	
12	50H-14941-92-00	. NOZZLE MAIN	1	
13	137-14153-00-00	. WASHER, MAIN JET	1	
14	620-14231-22-A0	. JET, MAIN #110 (620-14231-22)	1	
15	3H5-14985-00-00	. FLOAT	1	
16	98511-04006-00	. SCREW, PAN HEAD (98501-04005)	1	
17	2H0-14146-00-00	. PLATE	1	
18	537-14186-00-00	. PIN, FLOAT	1	
19	3CF-14107-15-00	. NEEDLE VALVE SET	1	
20	98580-05010-00	. SCREW, PAN HEAD	4	
21	36Y-1410A-00-00	. STARTER SET	1	
22	12R-14191-00-00	. PLUG, DRAIN	1	

CONTINUED ON NEXT FRAME ►

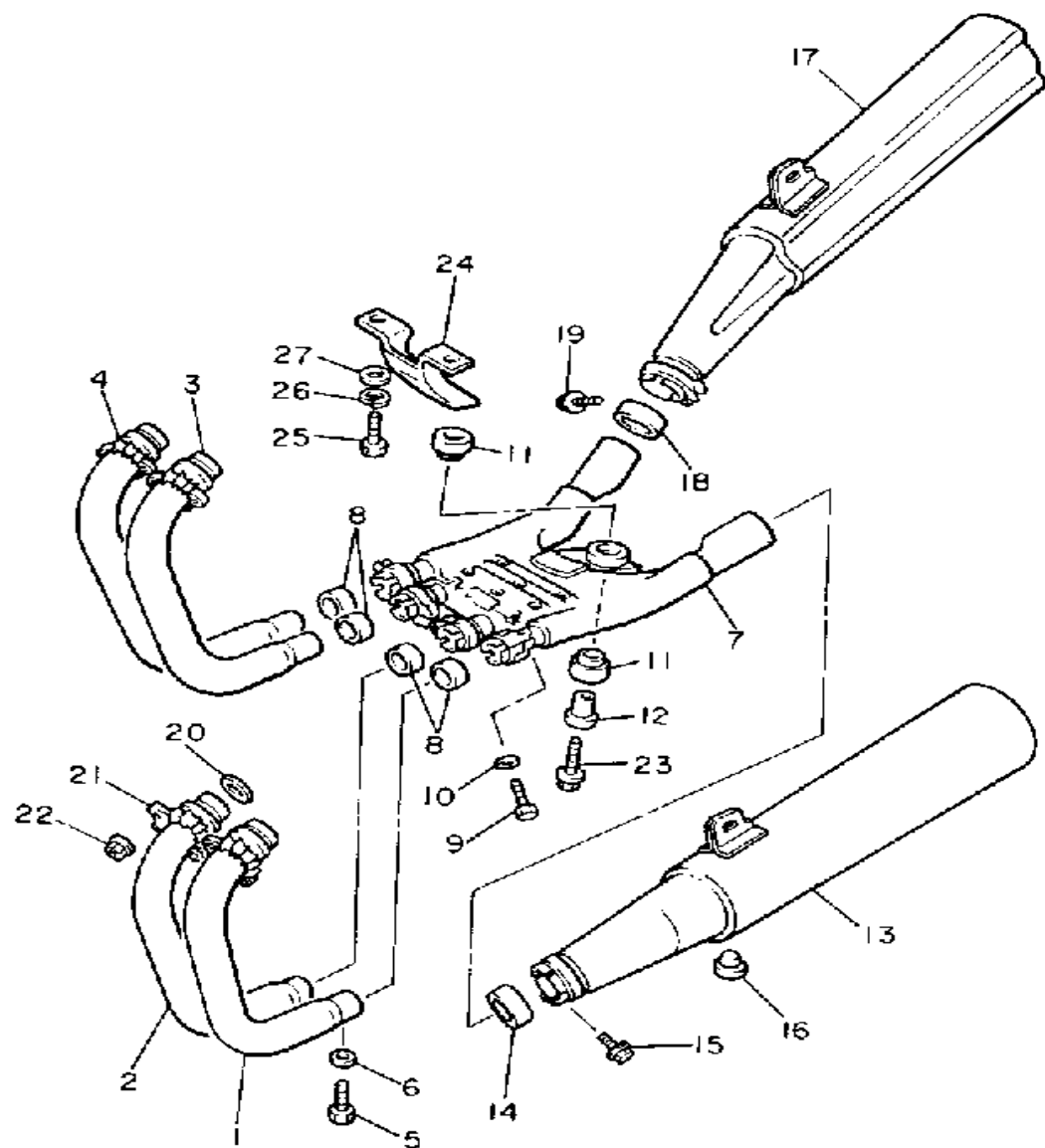
CARBURETOR



Ref. No.	Part Number	Description	Qty	Remarks
23	98580-05016-00	. SCREW, PAN HEAD	4	
24	92990-05100-00	. WASHER, SPRING	4	
25	3G2-14231-31-00	. JET, MAIN (#155)	1	
26	12R-14105-00-00	. PILOT SCREW SET	1	
27	3F9-14118-00-00	. CAP	1	
28	90445-08721-00	. HOSE	1	
29	36Y-1490L-00-00	STARTER LEVER SET	1	
30	36Y-1490K-00-00	STOP SCREW SET	3	
31	36Y-14103-00-00	THROTTLE SCREW SET	1	
32	98580-05010-00	SCREW, PAN HEAD	8	
33	16H-14988-00-00	PIPE, STARTER CON	2	
34	98503-06014-00	SCREW, PAN HEAD (92502-06016)	8	
35	17A-14251-00-00	NIPPLE	2	
36	822-14147-00-00	O-RING	4	
37	35H-14139-00-00	CLIP, PIPE	2	
38	(50H-14987-00-00)	HOSE	1	UR
	1WJ-14987-00-00	HOSE	1	UR
39	36Y-14147-00-00	O-RING	8	
40	1WJ-14197-00-00	PIPE	1	UR
	4G0-14197-00-00	PIPE (2GH-14197-00-00)	1	UR

4AH171-1100

EXHAUST

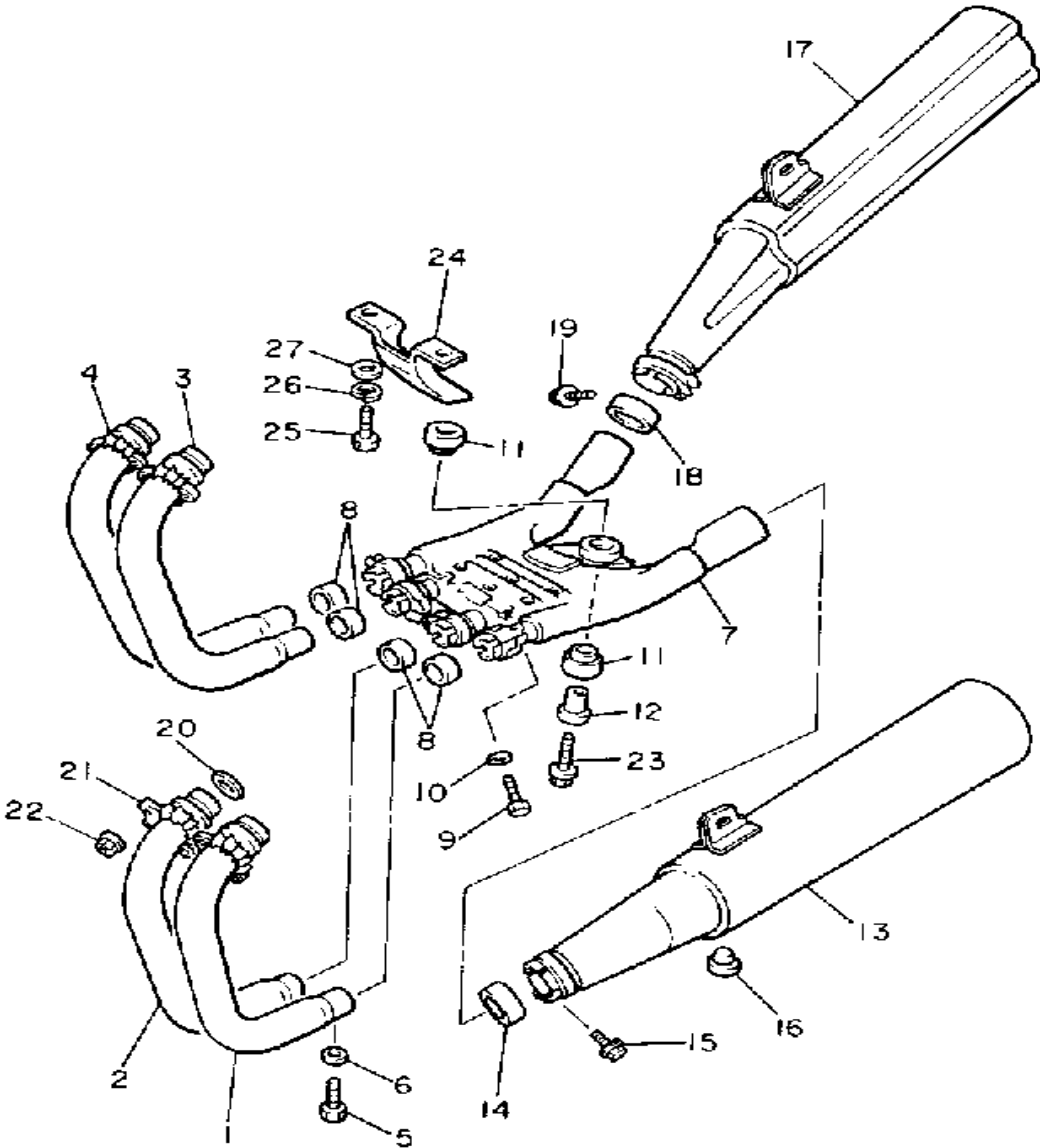


3YA332-1110

Ref. No.	Part Number	Description	Qty	Remarks
1	1TX-14611-00-00	PIPE, EXHAUST L	1	
2	1TX-14621-00-00	PIPE, EXHAUST R	1	
3	1TX-14631-00-00	PIPE, EXHAUST 3	1	
4	1TX-14641-00-00	PIPE, EXHAUST 4	1	
5	90101-06576-00	BOLT	4	
6	92906-06600-00	WASHER	4	
7	1TX-14615-10-00	JOINT, EXHAUST L	1	
8	3XW-14755-00-00	GASKET, SILENCER	4	
9	97013-08025-00	BOLT	4	
10	92901-08600-00	WASHER	4	
11	36Y-14747-00-00	DAMPER, MUFFLER	2	
12	4G0-14638-00-00	COLLAR	1	
13	4AH-14711-00-00	MUFFLER L	1	
14	3XW-14714-00-00	GASKET, MUFFLER	1	
15	90201-08649-00	. WASHER, PLATE	1	
	97011-08025-00	. BOLT	1	
	99999-01790-00	BOLT, FLANGE (95026-08025-00)	1	
16	371-27114-00-00	STOPPER, MAIN STAND	1	
17	4AH-14721-00-00	MUFFLER R	1	
18	3XW-14714-00-00	GASKET, MUFFLER	1	
19	99999-01790-00	BOLT, FLANGE (95026-08025-00)	1	
20	4BE-14613-00-00	GASKET, EXHAUST PIPE	4	
21	36Y-14612-00-00	NUT, RING	4	
22	95606-08200-00	NUT, U	8	
23	95811-10040-00	BOLT, FLANGE (95801-10040)	1	
24	36Y-14791-00-00	STAY, MUFFLER	1	
25	97011-08025-00	BOLT	2	

CONTINUED ON NEXT FRAME ►

EXHAUST

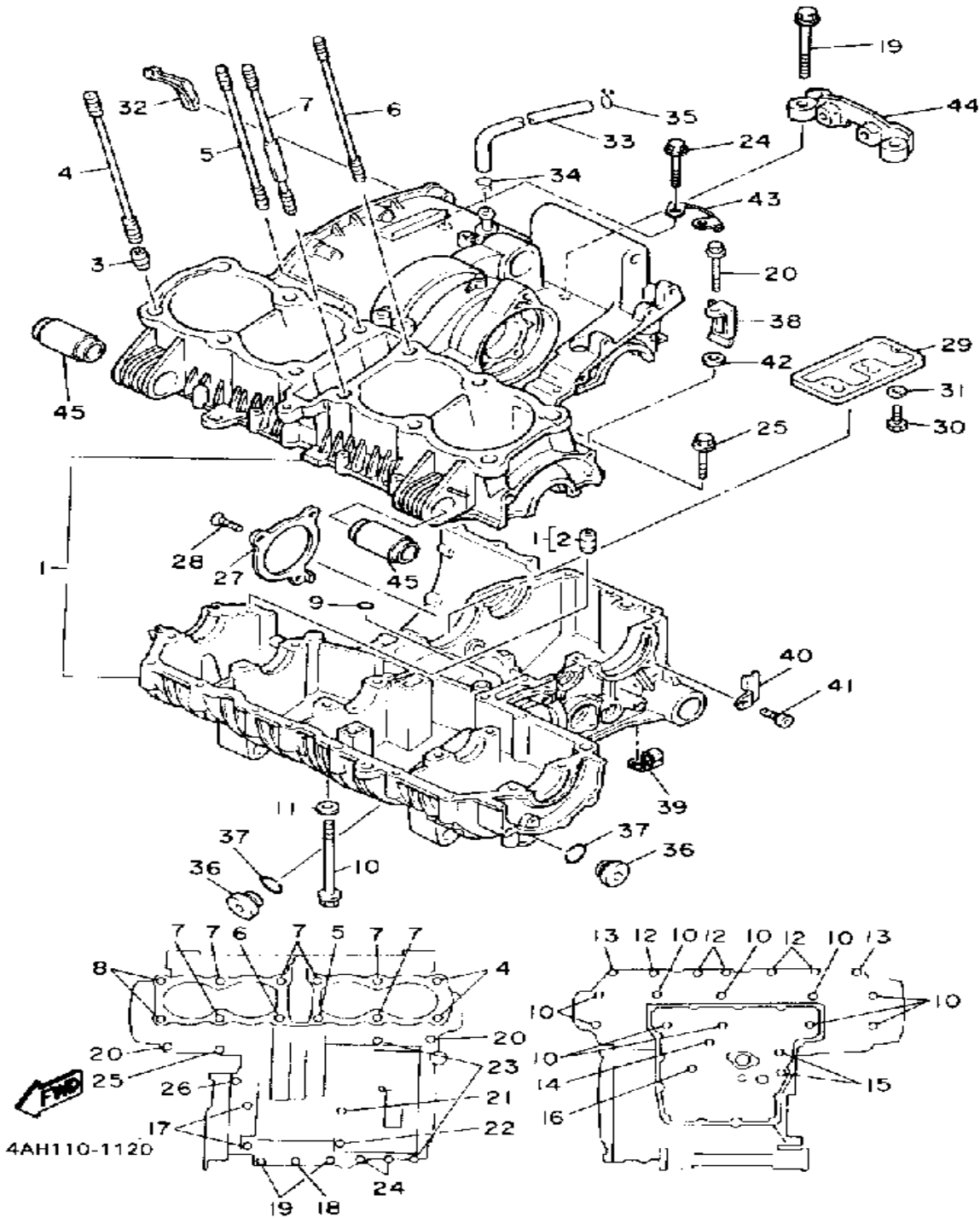


Ref. No.	Part Number	Description	Qty	Remarks
26	92990-08100-00	WASHER	2	
27	92901-08600-00	WASHER	2	



3YA332-1110

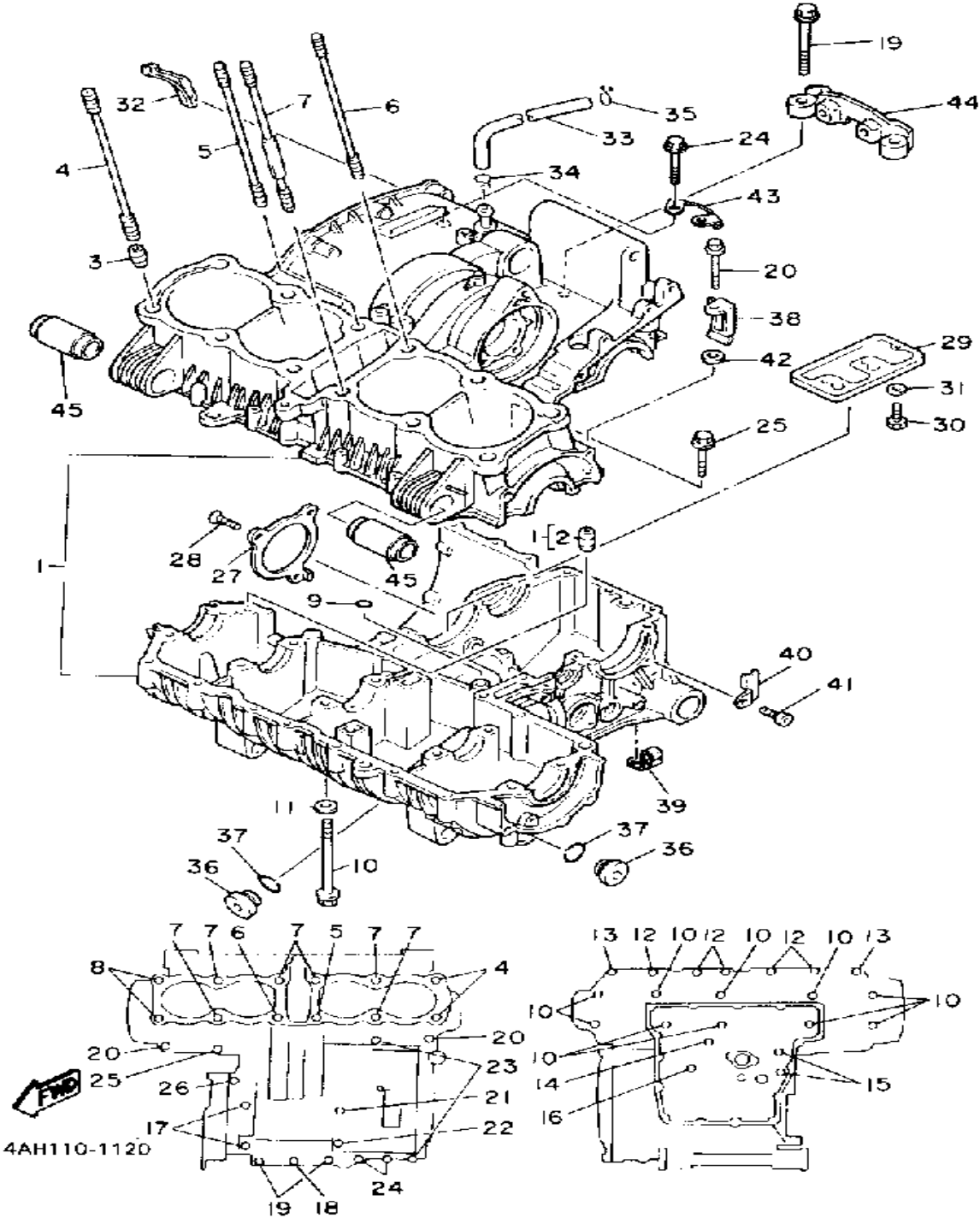
CRANKCASE



Ref. No.	Part Number	Description	Qty	Remarks
1	3XW-15100-01-00	CRANKCASE ASSEMBLY	1	
2	99510-12016-00	. PIN, DOWEL	2	
3	99530-14016-00	PIN, DOWEL	2	
4	90116-10563-00	BOLT, STUD (3XW)	2	
5	90116-10561-00	BOLT, STUD (3XW)	1	
6	90116-10562-00	BOLT, STUD (3XW)	1	
7	3XW-11363-00-00	BOLT, CYLINDER HOLDING 3CYLINDER HOLDING 3	6	
8	3XW-11364-00-00	BOLT, CYLINDER HOLDING 4CYLINDER HOLDING 4	2	
9	93210-07438-00	O-RING	1	
10	95816-08100-00	BOLT, FLANGE	10	
11	90201-094G1-00	WASHER, PLATE	7	
12	95816-08045-00	BOLT, FLANGE	5	
13	95816-10050-00	BOLT, FLANGE	2	
14	95816-06110-00	BOLT, FLANGE	1	
15	95816-06095-00	BOLT, FLANGE	2	
16	95816-06040-00	BOLT	1	
17	95816-08055-00	BOLT, FLANGE (91006-08055-00)	2	
18	95816-10060-00	BOLT, FLANGE	1	
19	95816-10075-00	BOLT, FLANGE	2	
20	95816-06050-00	BOLT, FLANGE	2	
21	95816-06125-00	BOLT, FLANGE	1	
22	95816-06070-00	BOLT, FLANGE	1	
23	95816-06065-00	BOLT, FLANGE	2	
24	95816-06055-00	BOLT, FLANGE	2	
25	95816-06040-00	BOLT	1	
26	95816-06030-00	BOLT, FLANGE	1	
27	36Y-15383-01-00	PLATE, BRNG COVER	1	

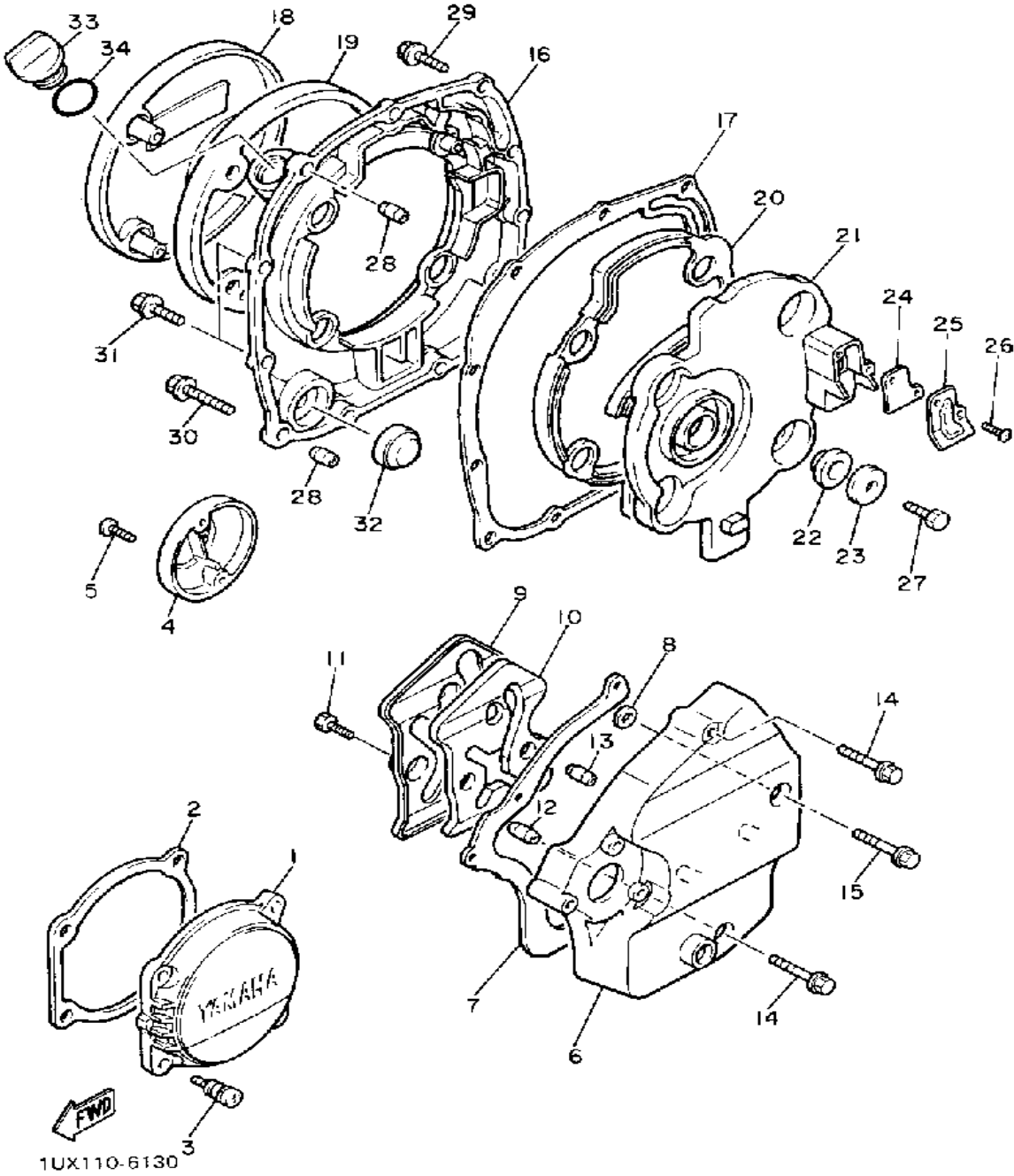
CONTINUED ON NEXT FRAME ►

CRANKCASE



Ref. No.	Part Number	Description	Qty	Remarks
28	90151-06025-00	SCREW, COUNTERSUNK	3	
29	36Y-15412-00-00	COVER, OIL PUMP	1	
30	97001-05010-00	BOLT	3	
31	92901-05600-00	WASHER, PLATE	3	
32	1TX-15365-00-00	GROMMET	1	
33	36Y-11166-00-00	PIPE, BREATHER 1	1	
34	90467-14015-00	CLIP	1	
35	90467-14015-00	CLIP	1	
36	4H7-15189-00-00	PLUG	3	
37	93210-20573-00	O-RING	3	
38	90465-10251-00	CLAMP	1	
39	(90465-08252-00)	CLAMP	2	
40	90465-08253-00	CLAMP	1	
41	91316-06010-00	BOLT, SOCKET HEAD	1	
42	92906-06600-00	WASHER	1	
43	90462-10145-00	CLAMP	1	
44	3XW-15199-00-00	BRACKET	1	
45	90387-207W3-00	COLLAR	2	

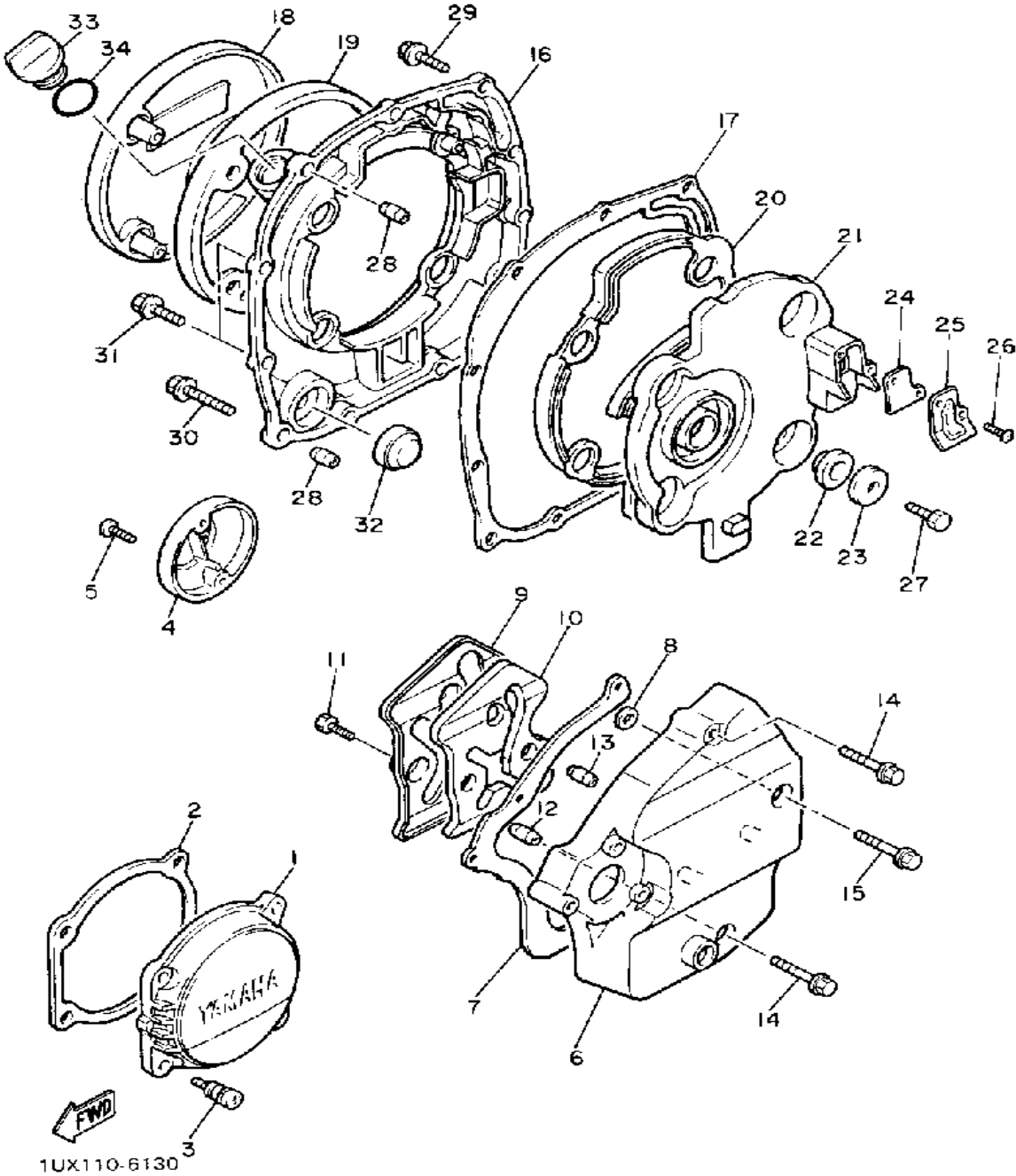
CRANKCASE COVER 1



Ref. No.	Part Number	Description	Qty	Remarks
1	36Y-15416-00-00	COVER, OIL PUMP	1	
2	33M-15449-00-00	RING, RUBBER	1	
3	33M-15481-10-00	BOLT 1	4	
4	36Y-15426-00-00	COVER, OIL PUMP R	1	
5	90154-05026-00	SCREW, BINDING	2	
6	1TX-15411-01-00	COVER, CRANKCASE L	1	
7	4CR-15451-00-00	GASKET, CRCS COVERCRANKCASE COVER 1	1	
8	4CR-15467-00-00	GASKET	1	
9	1TX-15427-00-00	COVER, CAP 2	1	
10	1TX-15316-00-00	DAMPER, ENG MOUNT 1 ENGINE MOUNT 1	1	
11	90153-06055-00	SCREW, HEXAGON	4	
12	99530-10014-00	PIN, DOWEL	1	
13	99510-08016-00	PIN, DOWEL	1	
14	95026-06040-00	BOLT, FLANGE	2	
15	95026-06050-00	BOLT, FLANGE	1	
16	3XW-W1543-00-00	CRANKCASE COVER AS	1	
17	4CR-15461-00-00	GASKET, CRCS CVR 2CRANKCASE 2	1	
18	36Y-15417-01-00	COVER, CAP	1	
19	36Y-15449-00-00	RING, RUBBER	1	
20	1TX-15367-00-00	GROMMET	1	
21	1TX-15346-00-00	BREATHER 1	1	
22	4H7-15486-00-00	GROMMET	4	
23	90209-06096-00	WASHER	4	
24	4CR-15374-00-00	GASKET, BREATHER	1	
25	1TX-15333-00-00	COVER	1	
26	90157-05095-00	SCREW, PAN HEAD	2	
27	91316-06012-00	BOLT, SOCKET HEAD	4	

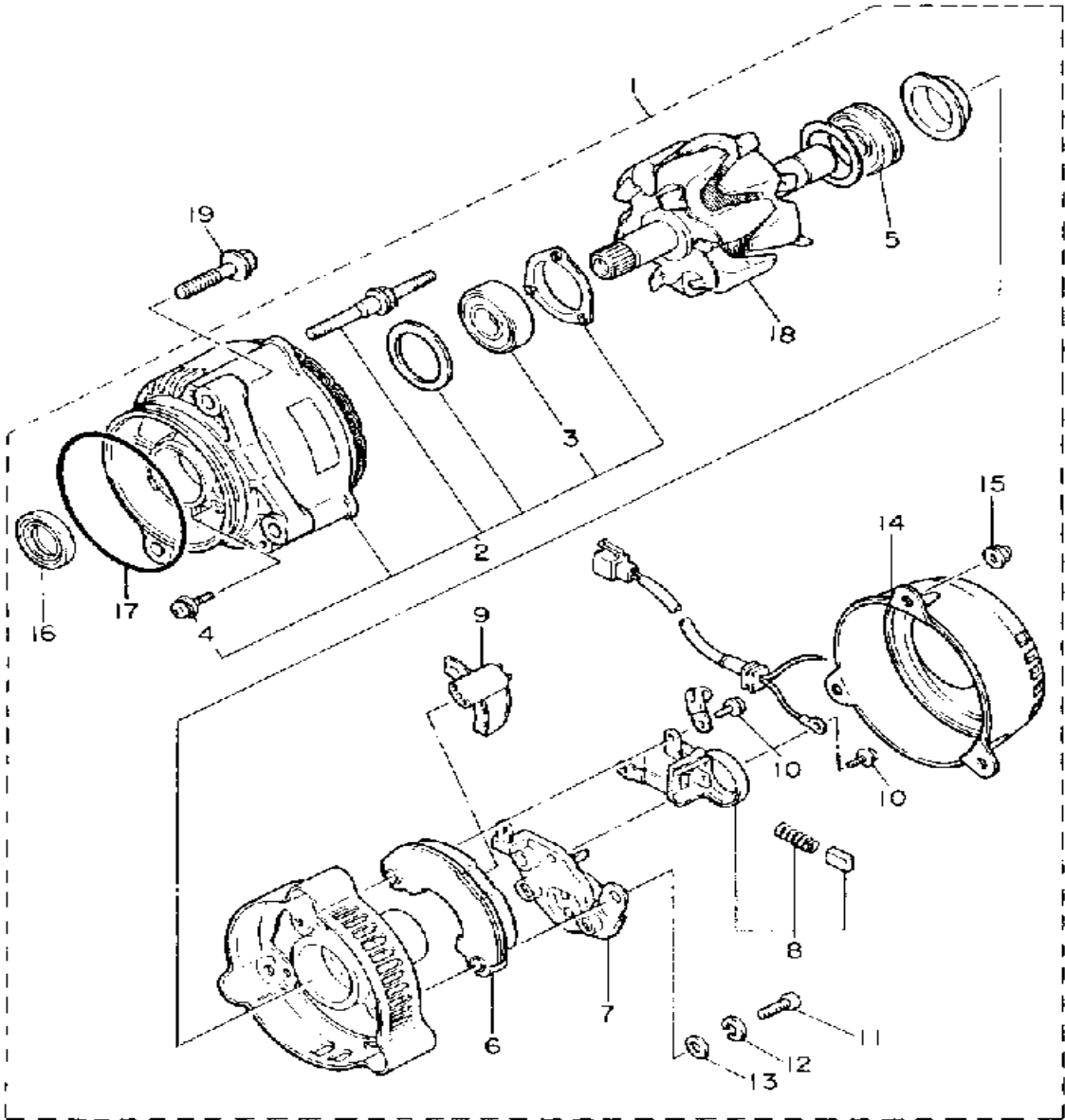
CONTINUED ON NEXT FRAME ►

CRANKCASE COVER 1



Ref. No.	Part Number	Description	Qty	Remarks
28	99530-10014-00	PIN, DOWEL	2	
29	95026-06020-00	BOLT, FLANGE	7	
30	95026-06035-00	BOLT, FLANGE	2	
31	95026-06025-00	BOLT, FLANGE	2	
32	2H7-15361-00-00	GAUGE, LEVEL	1	
33	3F9-15362-00-00	PLUG, OIL LEVEL	1	
34	93210-27778-00	O-RING	1	

GENERATOR



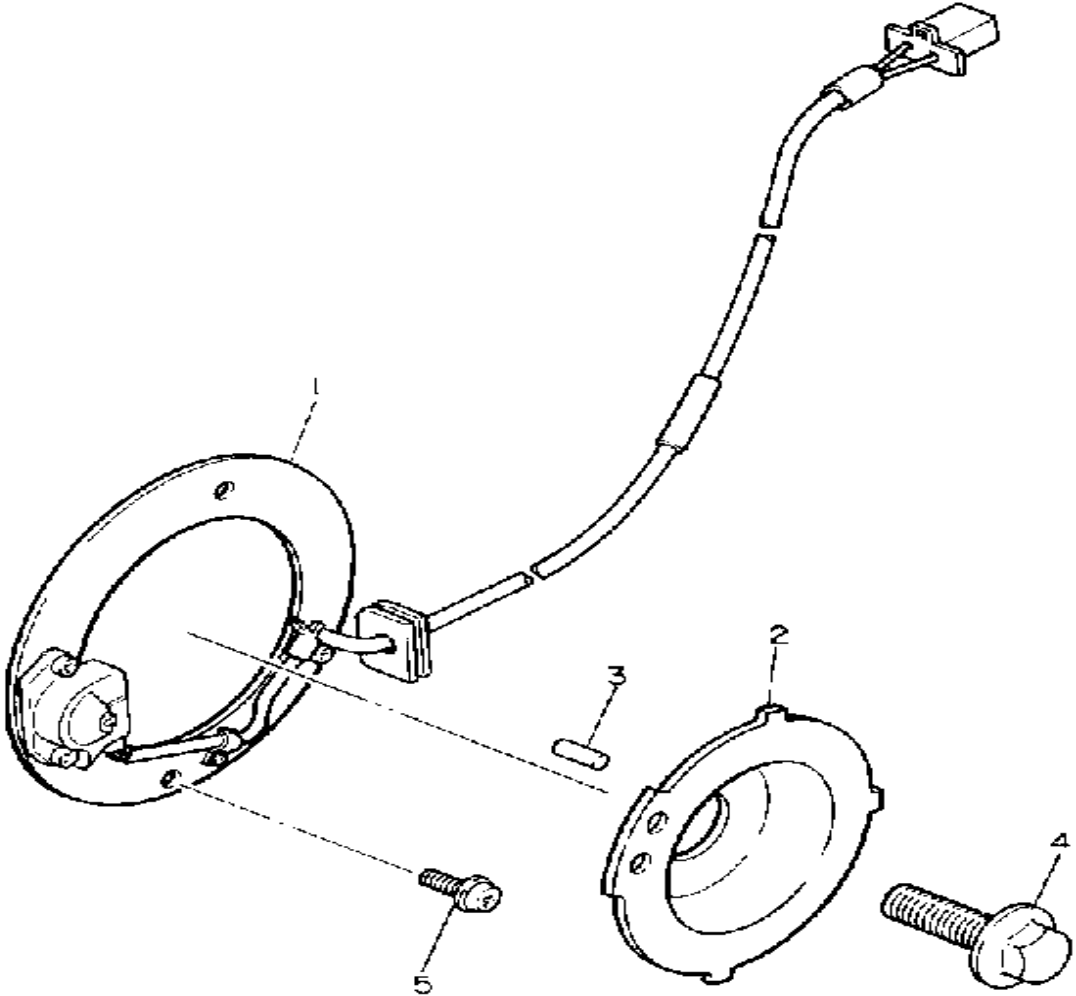
Ref. No.	Part Number	Description	Qty	Remarks
1	2GH-81600-55-00	A.C. GENERATOR ASSEMBLY	1	
2	2GH-81634-00-00	. STATOR ASSEMBLY	1	
3	36Y-81643-30-00	.. BEARING	1	
4	2KT-81645-50-00	.. SCREW	3	
5	36Y-81643-50-00	. BEARING	1	
6	36Y-81970-50-00	. RECTIFIER ASSEMBLY	1	
7	36Y-81910-50-00	. VOLTAGE REGULATOR ASSEMBLY	1	
8	3FV-81619-00-00	. BRUSH HOLDER ASSEMBLY	1	
9	36Y-81972-50-00	. COVER, RECTIFIER	1	
10	3FV-81645-00-00	. SCREW	2	
11	98501-05018-00	. SCREW, PAN HEAD	3	
12	92990-05100-00	. WASHER, SPRING	3	
13	92901-05600-00	. WASHER, PLATE	3	
14	2GH-81604-00-00	. COVER ASSEMBLY	1	
15	3FV-81675-00-00	. NUT	3	
16	36Y-81638-50-00	. OIL SEAL	1	
17	2KT-81642-50-00	. O-RING	1	
18	2GH-81660-52-00	. ROTOR ASSEMBLY	1	
19	95816-08030-00	BOLT, FLANGE	3	



3LE332-9400

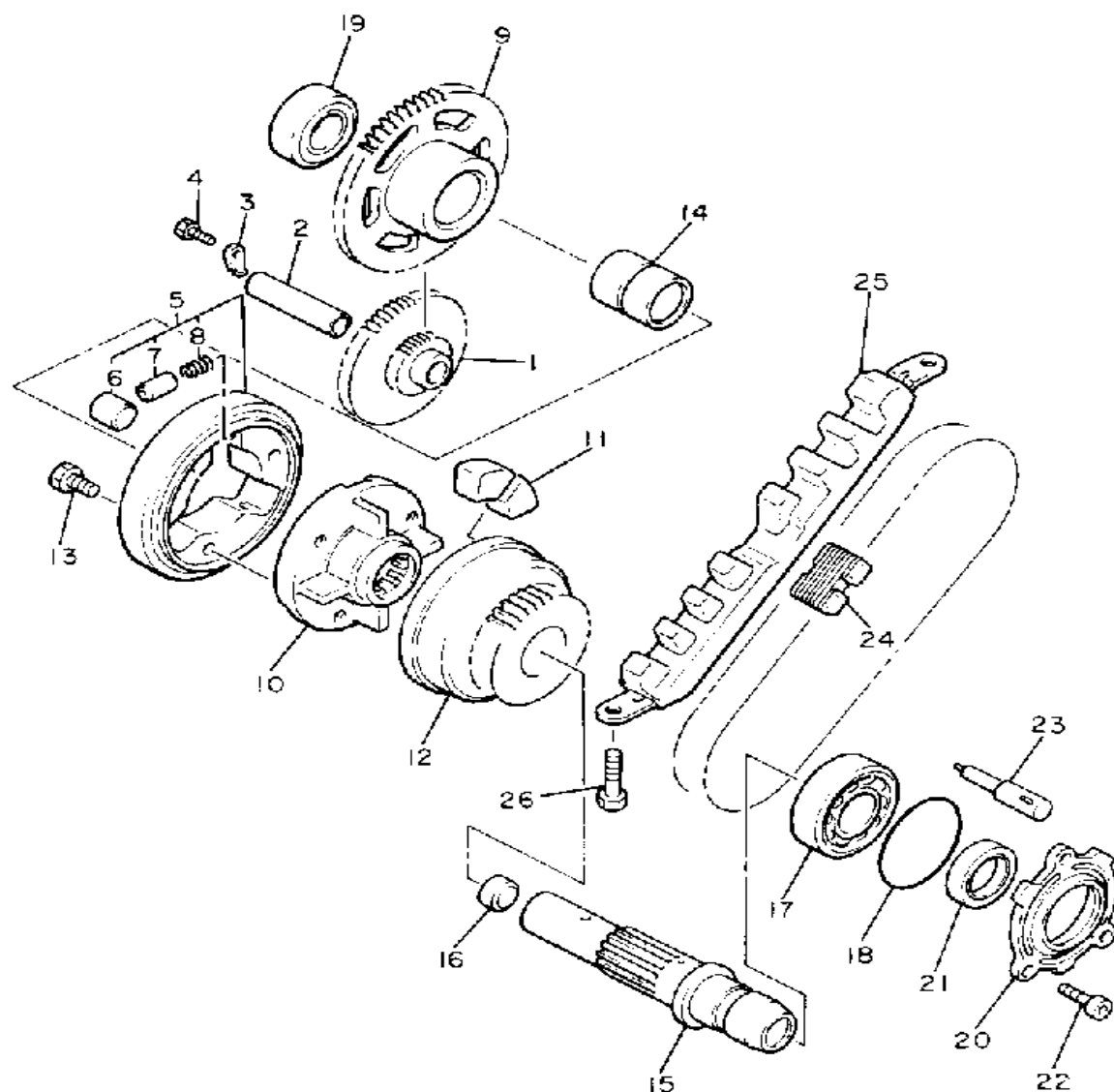
PICKUP COIL - GOVERNOR

Ref. No.	Part Number	Description	Qty	Remarks
1	3CV-81671-00-00	BASE, PICKUP	1	
2	3CV-81673-00-00	ROTOR	1	
3	93604-08071-00	PIN, DOWEL	1	
4	90105-10445-00	BOLT, WASHER BASED	1	
5	90159-06107-00	SCREW, WITH WASHER	2	



3CV1310-8400

STARTER

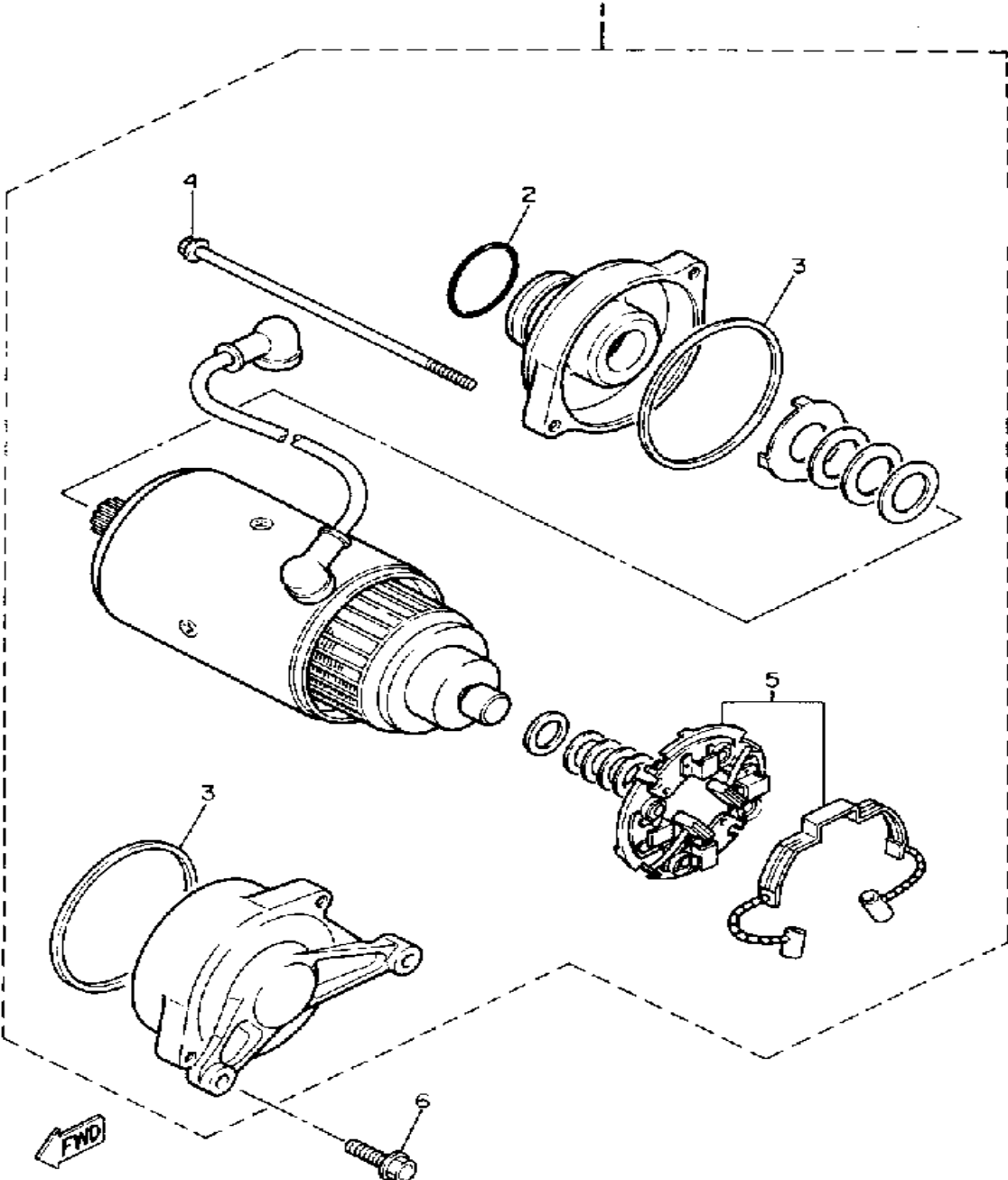


Ref. No.	Part Number	Description	Qty	Remarks
1	36Y-15512-01-00	GEAR, IDLER 1	1	
2	36Y-15521-01-00	SHAFT 1	1	
3	2H7-15531-00-00	PLATE, STOPPER	1	
4	97021-06012-00	BOLT	1	
5	36Y-15580-01-00	STR CLUTCH OTR ASSEMBLY OUTER ASSEMBLY	1	
6	93615-17125-00	. PIN, DOWEL	3	
7	1J7-15583-01-00	. CAP, STARTER CLUTCH SPRING	3	
8	90501-04503-00	. SPRING, COMPRESSION COMPRESSION	3	
9	36Y-15517-01-00	GEAR, IDLER 2	1	
10	12R-15524-00-00	WHEEL, STARTER	1	
11	4H7-16155-01-00	ABSORBER 1	4	
12	36Y-15519-00-00	SPROCKET, STARTER 2	1	
13	91316-08016-00	BOLT, SOCKET HEAD	3	
14	90387-201L2-00	COLLAR	1	
15	3CV-15522-00-00	SHAFT 2	1	
16	90331-15039-00	PLUG	1	
17	93306-20545-00	BEARING	1	
18	93210-47440-00	O-RING	1	
19	93306-00426-00	BEARING	1	
20	36Y-15163-00-00	HOUSING, BEARING 1	1	
21	93102-25253-00	OIL SEAL	1	
22	91316-06016-00	BOLT, SOCKET HEAD	3	
23	36Y-13454-00-00	NOZZLE	1	
24	36Y-11456-00-00	CHAIN, PRIMARY	1	
25	36Y-11474-00-00	GUIDE, UPPER	1	
26	97011-06016-00	BOLT	2	



36Y310-4140

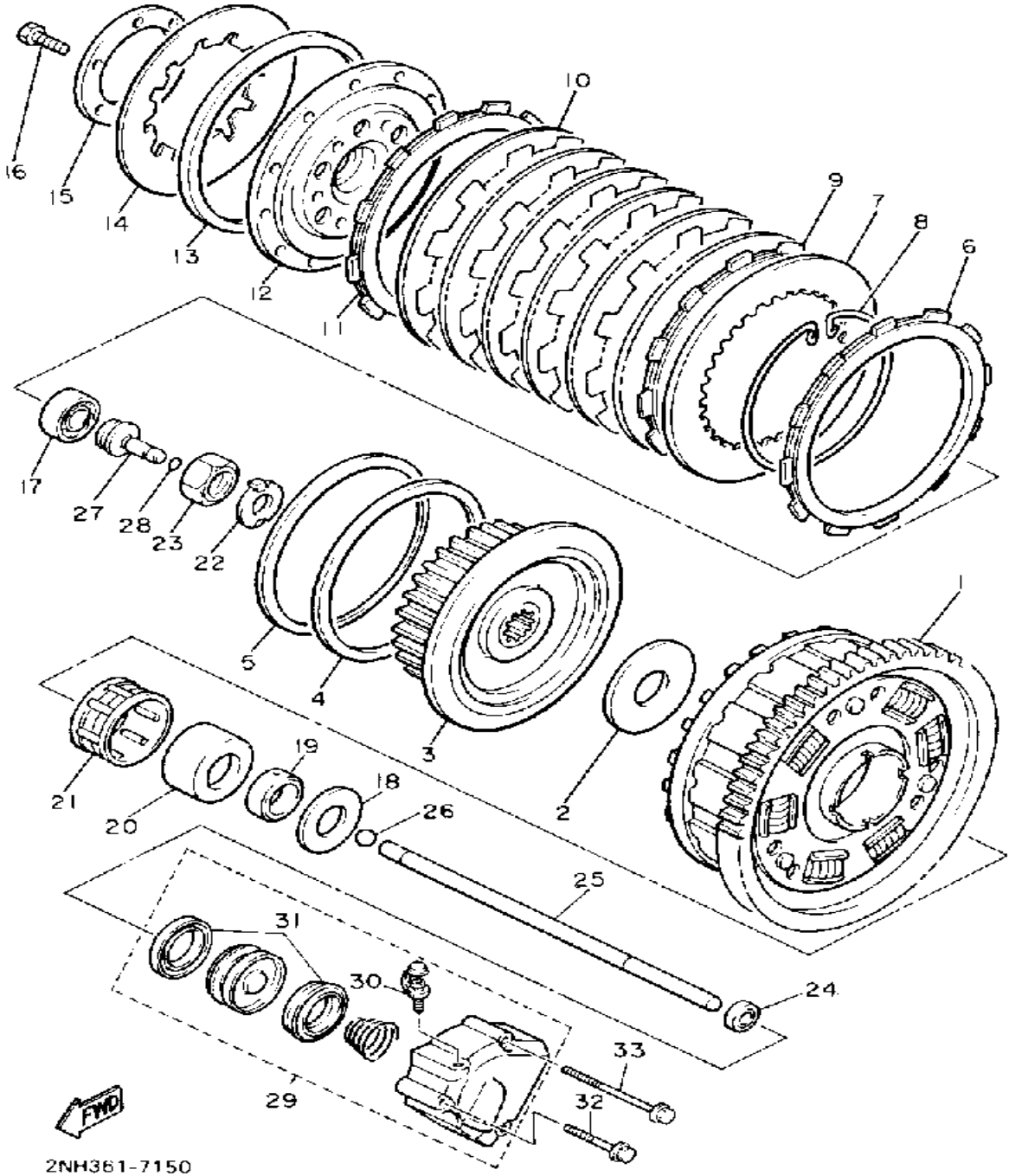
STARTING MOTOR



3YA332-1410

Ref. No.	Part Number	Description	Qty	Remarks
1	36Y-81800-10-00	STARTING MOTOR ASSEMBLY	1	
2	26H-81847-00-00	. O-RING	1	
3	11H-81844-00-00	. GASKET	2	
4	3AJ-81826-00-00	. BOLT	2	
5	3AJ-81801-00-00	. BRUSH SET	1	
6	95026-06025-00	BOLT, FLANGE	2	

CLUTCH

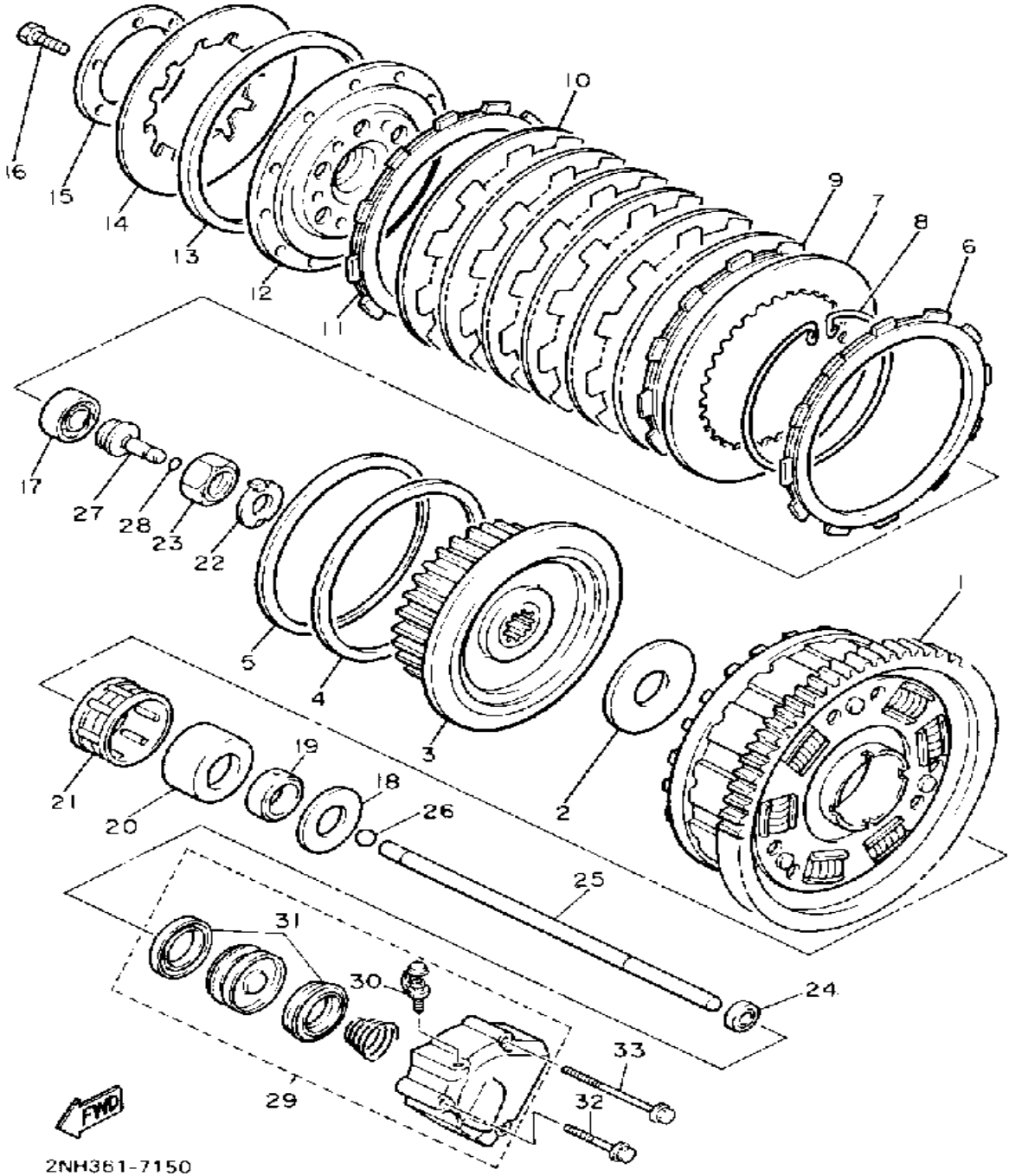


2NH361-7150

Ref. No.	Part Number	Description	Qty	Remarks
1	1TX-16150-00-00	PRI DRVN GEARGEAR COMP.	1	
2	36Y-16154-00-00	PLATE, THRUST 1	1	
3	36Y-16371-00-00	BOSS, CLUTCH	1	
4	36Y-16384-00-00	PLATE, SEAT	1	
5	36Y-16383-00-00	SPRING, CLUTCH BOSS	1	
6	36Y-16331-00-00	PLATE, FRICTION 2	1	
7	2H7-16325-00-00	PLATE, CLUTCH 2	1	
8	2H7-16385-00-00	RING, CLUTCH BOSS	1	
9	341-16321-13-00	PLATE, FRICTION	6	
10	2H7-16325-00-00	PLATE, CLUTCH 2	6	
11	36Y-16331-00-00	PLATE, FRICTION 2	1	
12	36Y-16351-00-00	PLATE, PRESSURE 1	1	
13	36Y-16335-00-00	HOUSING, SPRING	1	
14	1TX-16334-00-00	SPRING, CLUTCH 2	1	
15	1TX-16352-00-00	PLATE, PRESSURE 2	1	
16	97011-06016-00	BOLT	6	
17	93306-00315-00	BEARING (6003SH2C4)	1	
18	90201-286H8-00	WASHER, PLATE	1	
19	90387-284K1-00	COLLAR	1	
20	36Y-16181-00-00	SPACER 1	1	
21	93310-350M3-00	BEARING, CYLINDER.# 0	1	
22	90215-25218-00	WASHER, LOCK	1	
23	90170-20323-00	NUT	1	
24	93109-08061-00	OIL SEAL	1	
25	3CV-16357-00-00	ROD, PUSH 2	1	
26	93511-32027-00	BALL	1	
27	36Y-16356-00-00	ROD, PUSH 1	1	
28	93210-06632-00	O-RING	1	
29	36Y-16381-10-00	PUSH LEVER COMP.	1	

CONTINUED ON NEXT FRAME ➤

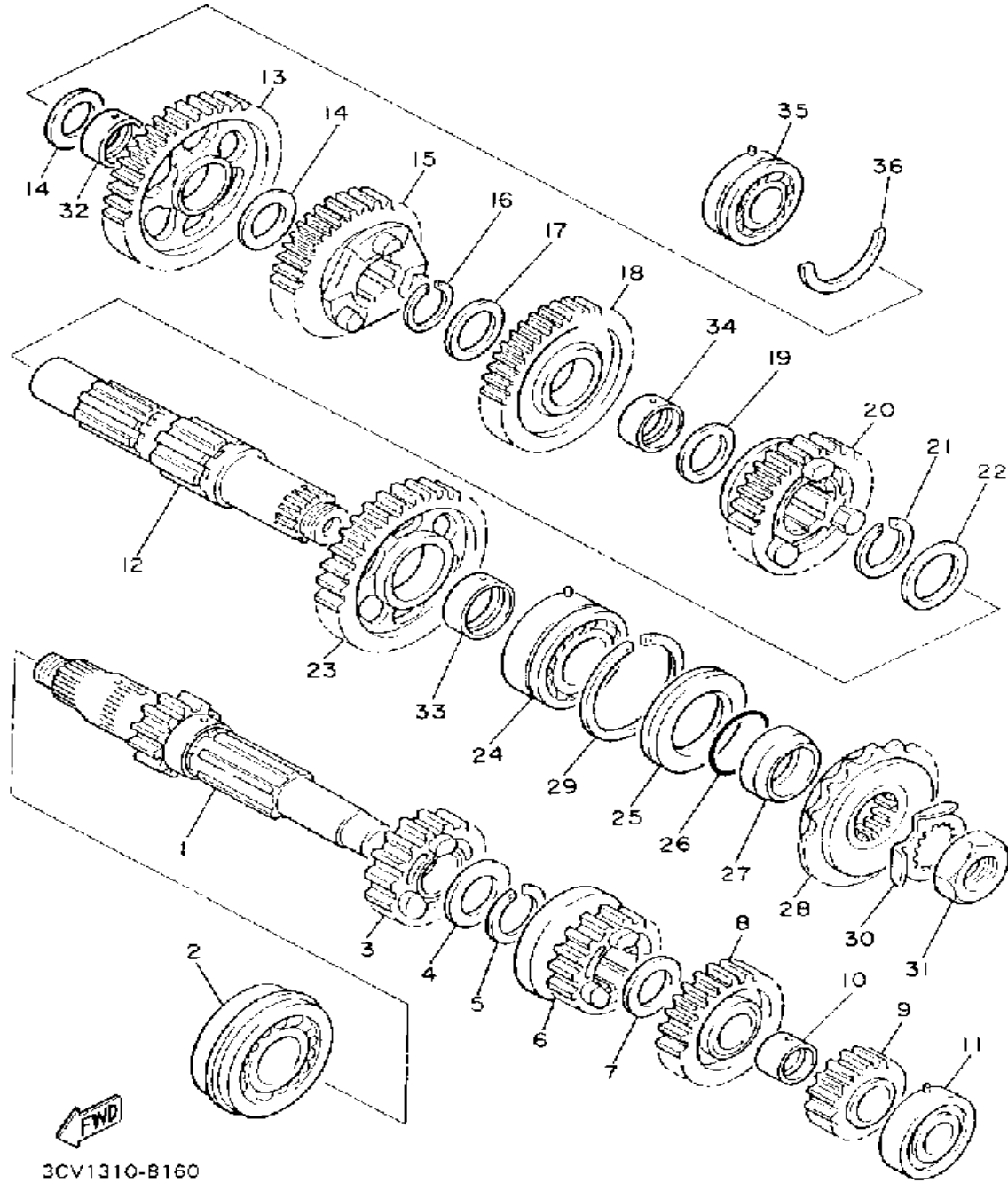
CLUTCH



Ref. No.	Part Number	Description	Qty	Remarks
30	36Y-W0048-00-00	. BLEED SCREW KIT	1	
31	26H-W0098-00-00	. PUSH LEVER SEAL KIT	1	
32	95026-06040-00	BOLT, FLANGE	1	
33	90105-06306-00	BOLT, WASHER BASED	2	

2NH361-7150

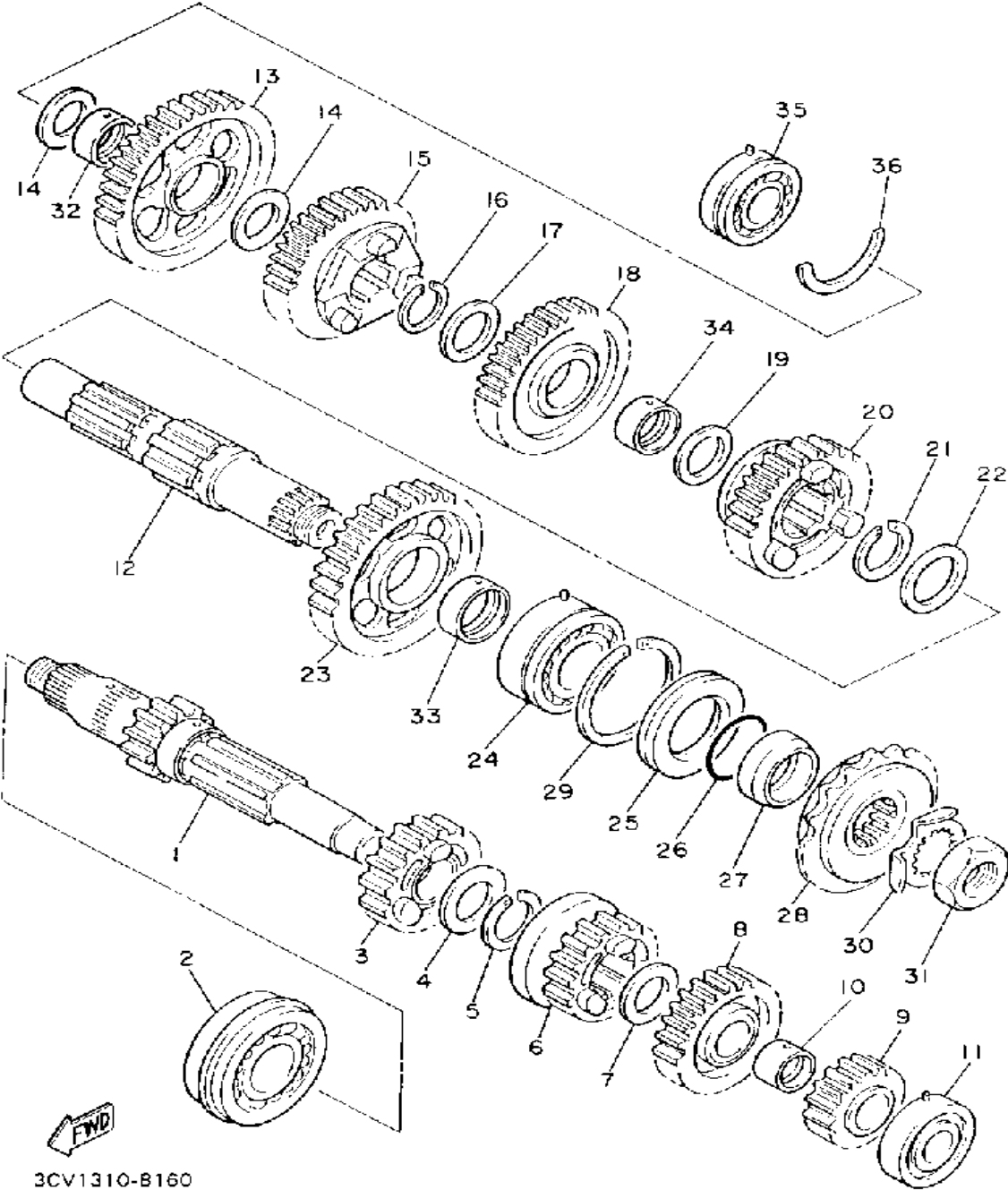
TRANSMISSION



Ref. No.	Part Number	Description	Qty	Remarks
1	1TX-W1741-00-00	MAIN AXLE ASSEMBLY	1	
2	93306-36401-00	BEARING	1	
3	1TX-17141-00-00	GEAR, 4TH PINION	1	
4	90209-25196-00	WASHER	1	
5	93440-28062-00	CIRCLIP	1	
6	1TX-17131-00-00	GEAR, 3RD PINION	1	
7	90201-226H9-00	WASHER, PLATE	1	
8	1TX-17151-00-00	GEAR, 5TH PINION	1	
9	3CV-17121-00-00	GEAR, 2ND PINION	1	
10	90387-220R2-00	COLLAR	1	
11	93306-30434-00	BEARING	1	
12	1TX-17421-00-00	AXLE, DRIVE	1	
13	1TX-17211-00-00	GEAR, 1ST WHEEL	1	
14	90201-257H0-00	WASHER, PLATE	2	
15	36Y-17241-00-00	GEAR, 4TH WHEEL	1	
16	93440-30077-00	CIRCLIP	1	
17	90209-27192-00	WASHER	1	
18	1TX-17231-00-00	GEAR, 3RD WHEEL	1	
19	90201-307H1-00	WASHER, PLATE	1	
20	1TX-17251-00-00	GEAR, 5TH WHEEL	1	
21	93440-34025-00	CIRCLIP	1	
22	90209-32231-00	WASHER	1	
23	3CV-17221-00-00	GEAR, 2ND WHEEL	1	
24	93305-20605-00	BEARING	1	
25	93102-40330-00	OIL SEAL	1	
26	93210-30660-00	O-RING	1	
27	90387-304K7-00	COLLAR	1	
28	3CV-17460-00-00	SPROCKET, DRIVE 16T	1	
29	93440-62032-00	CIRCLIP, OUTER	1	

CONTINUED ON NEXT FRAME ►

TRANSMISSION

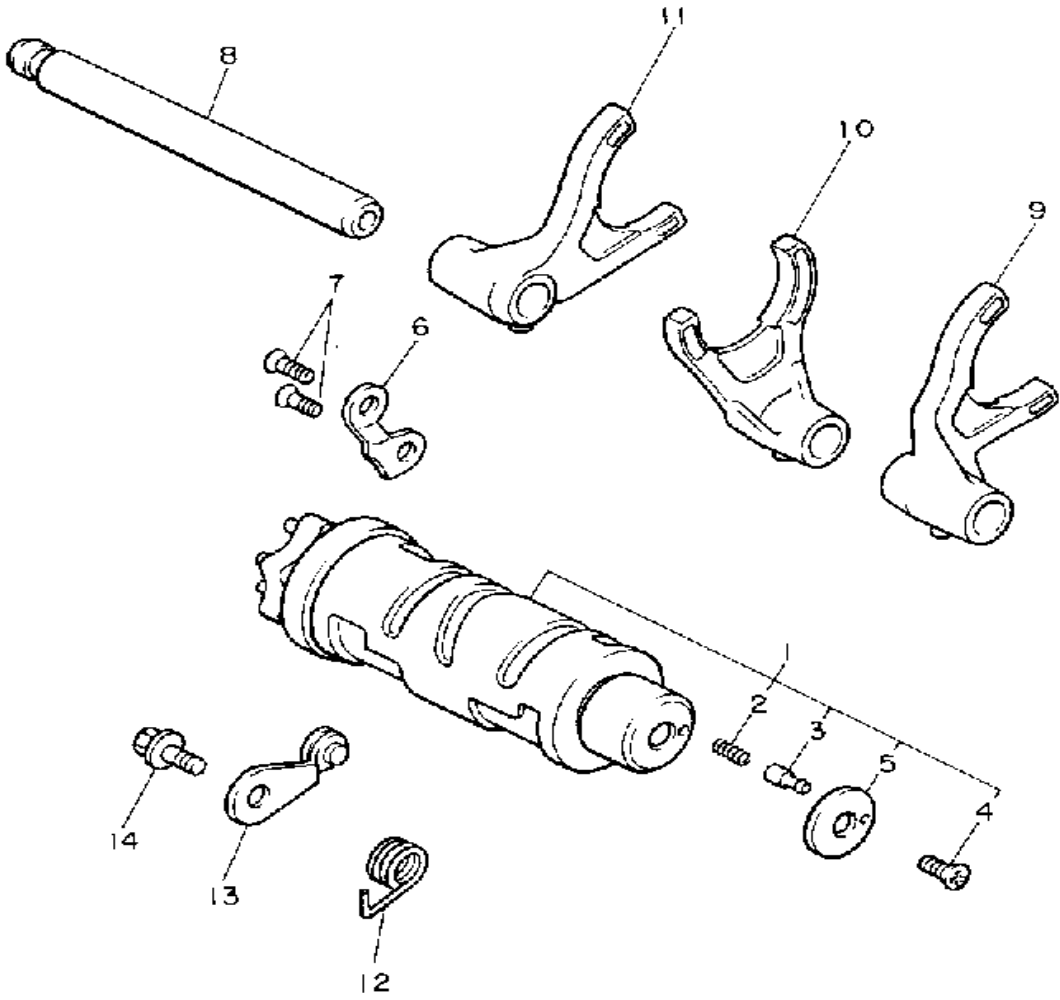


3CV1310-B160

Ref. No.	Part Number	Description	Qty	Remarks
30	90215-26241-00	WASHER, LOCK	1	
31	90179-22063-00	NUT	1	
32	90387-250R3-00	COLLAR	1	
33	90387-350R5-00	COLLAR	1	
34	90387-300R4-00	COLLAR	1	
35	93306-20561-00	BEARING	1	
36	93440-52118-00	CIRCLIP	1	

SHIFT CAM - FORK

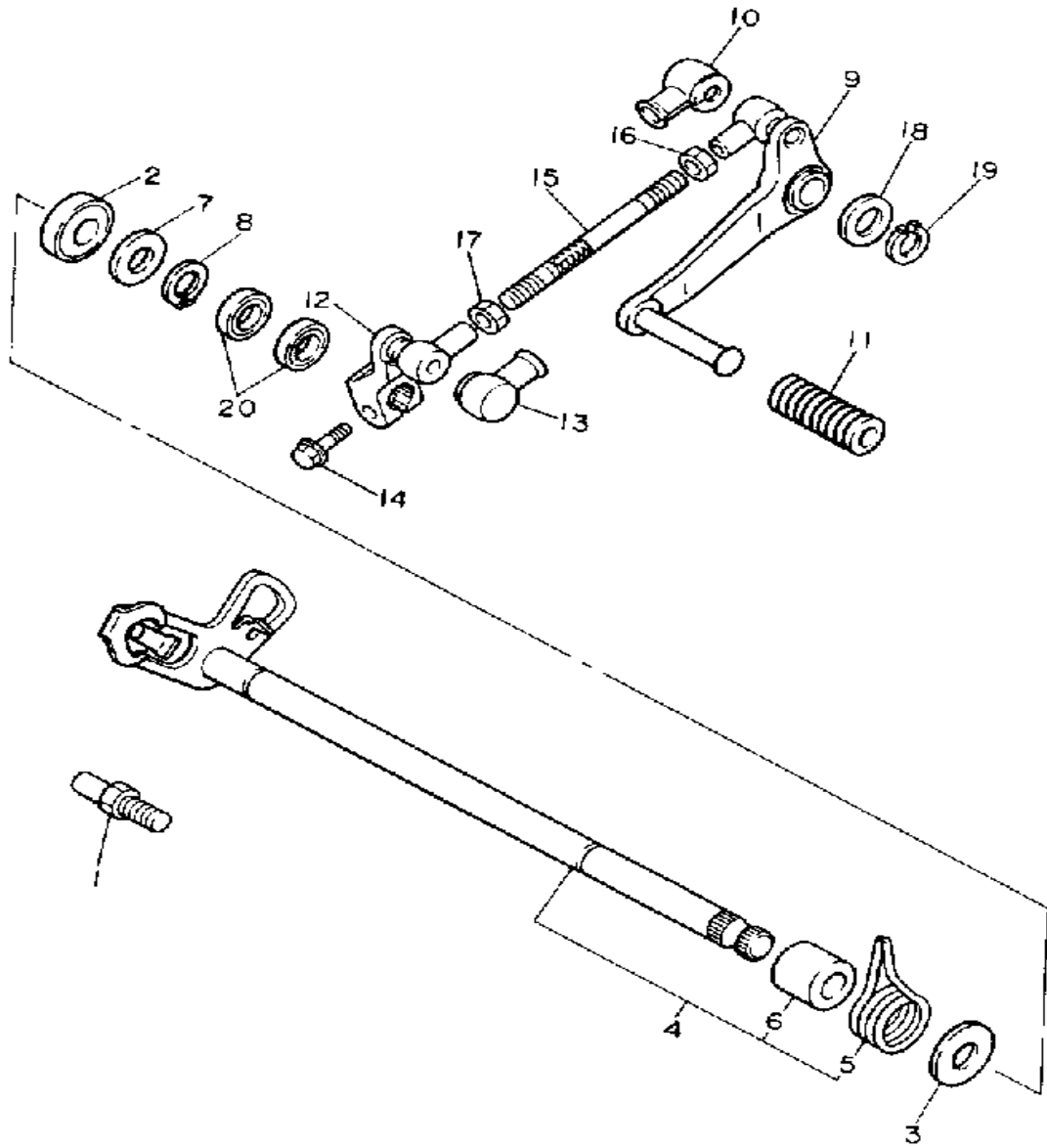
Ref. No.	Part Number	Description	Qty	Remarks
1	1TX-18540-01-00	SHIFT CAM ASSEMBLY	1	
2	90501-06022-00	. SPRING, COMPRESSION	1	
3	278-18542-00-00	. POINT, NEUTRAL	1	
4	98701-05012-00	. SCREW, FLAT HEAD	1	
5	278-18566-00-00	. PLATE, SIDE 2	1	
6	36Y-18562-00-00	PLATE, STOPPER 2	1	
7	98701-06016-00	SCREW, FLAT HEAD	2	
8	4G0-18531-00-00	BAR, SHIF FRK GDE 1	1	
9	1TX-18511-00-00	FORK, SHIFT 1	1	
10	1TX-18512-00-00	FORK, SHIFT 2	1	
11	1TX-18513-00-00	FORK, SHIFT 3	1	
12	90508-23707-00	SPRING, TORSION	1	
13	36Y-18140-00-00	STOPPER LEVER ASSEMBLY	1	
14	90109-063F7-00	BOLT	1	



36Y310-4170

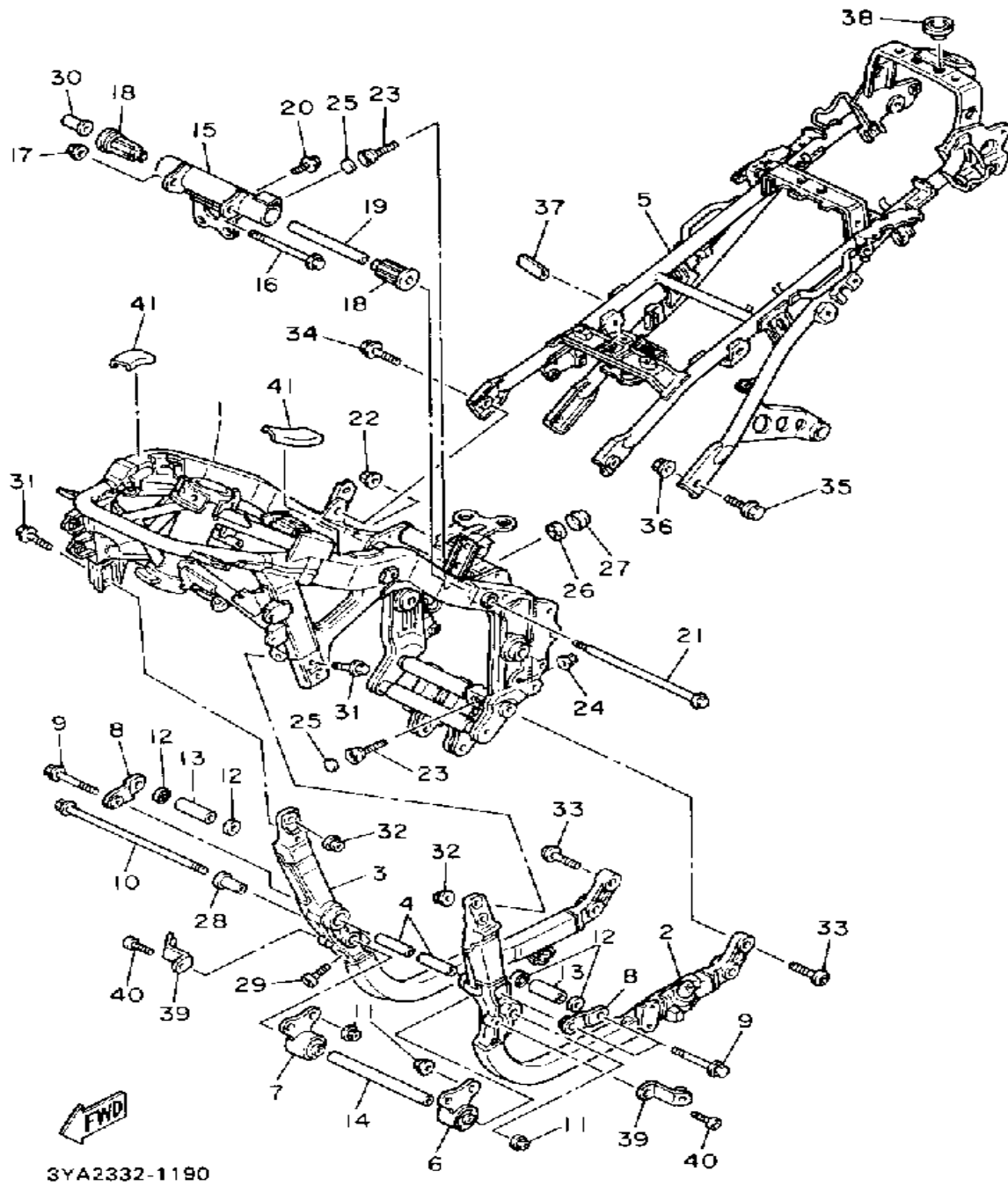
SHIFT SHAFT

Ref. No.	Part Number	Description	Qty	Remarks
1	4G0-18127-00-00	STOPPER, SCREW	1	
2	93102-12321-00	OIL SEAL, SD-TYPE	1	
3	90201-12588-00	WASHER, PLATE	1	
4	1TX-18101-01-00	SHIFT SHAFT ASSEMBLY 1	1	
5	90508-32682-00	. SPRING, TORSION	1	
6	90387-114K8-00	. COLLAR	1	
7	90201-12575-00	WASHER, PLATE	1	
8	99006-10600-00	CIRCLIP	1	
9	36Y-18111-00-00	PEDAL, SHIFT	1	
10	2H9-18154-00-00	COVER, DUST	1	
11	132-18113-01-00	COVER, SHIFT PEDAL	1	
12	1TX-18112-00-00	ARM, SHIFT	1	
13	2H9-18154-00-00	COVER, DUST	1	
14	95811-06020-00	BOLT, FLANGE	1	
15	36Y-18115-00-00	ROD, SHIFT	1	
16	90170-06228-00	NUT (COUNTER CLOCKWISE)	1	
17	95380-06700-00	NUT	1	
18	90201-124E4-00	WASHER, PLATE	1	
19	99009-12400-00	CIRCLIP	1	
20	93109-12053-00	OIL SEAL (SDO 12/18/4-1)	2	



1UX110-6180

FRAME

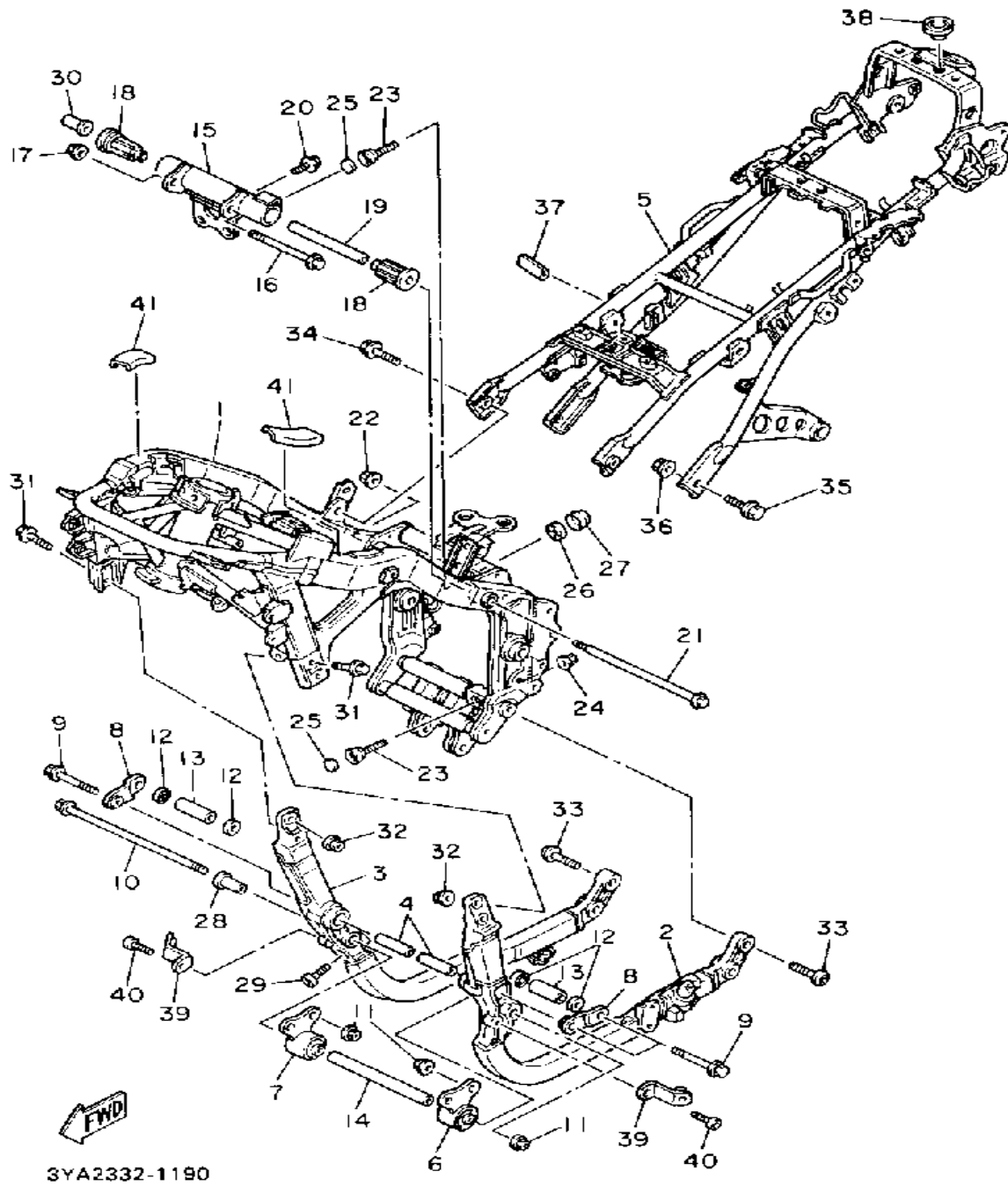


3YA2332-1190

Ref. No.	Part Number	Description	Qty	Remarks
1	4AH-21110-01-35	FRAME	1	UR SILVER
	4CR-21110-00-35	FRAME	1	UR SILVER
2	3XW-21140-00-35	TUBE, DOWN	1	UR SILVER
	4AH-21140-00-35	TUBE, DOWN	1	UR SILVER
3	3XW-21150-00-35	DOWN TUBE COMP 2	1	UR SILVER
	4AH-21150-00-35	DOWN TUBE COMP 2	1	UR SILVER
4	3GB-22123-00-00	BUSH 1	2	
5	3YA-21190-00-33	FRAME, REAR	1	
6	3XW-2140X-00-00	ENG BRKT SUB-COMP1SUB-COMP. 1 ...	1	
7	3XW-2140Y-00-00	ENG BRKT SUB-COMP2SUB-COMP. 2 ...	1	
8	3XW-21316-00-00	STAY, ENGINE 3	2	
9	90105-12598-00	BOLT, WASHER BASED	4	
10	90105-12106-00	BOLT, WASHER BASED	1	
11	90179-12421-00	NUT, SPEC'L SHAPE	5	
12	3XW-2217H-00-00	COVER, DUST	4	
13	90387-124X8-00	COLLAR	2	
14	90560-12374-00	SPACER	1	
15	3XW-21317-00-00	STAY, ENGINE 4	1	
16	90105-10183-00	BOLT, WASHER BASED	1	
17	95601-10200-00	NUT, SELF-LOCKING	1	
18	3XW-21488-00-00	DAMPER	2	
19	36Y-15327-00-00	SPACER, ENG MOUNT	1	
20	95811-10020-00	BOLT, FLANGE (95822-10020-00)	2	
21	90105-12523-00	BOLT, WASHER BASED	1	
22	90179-12421-00	NUT, SPEC'L SHAPE	1	
23	3XW-21495-00-00	WASHER, LOCKENGINE ADJUSTING	2	

CONTINUED ON NEXT FRAME ►

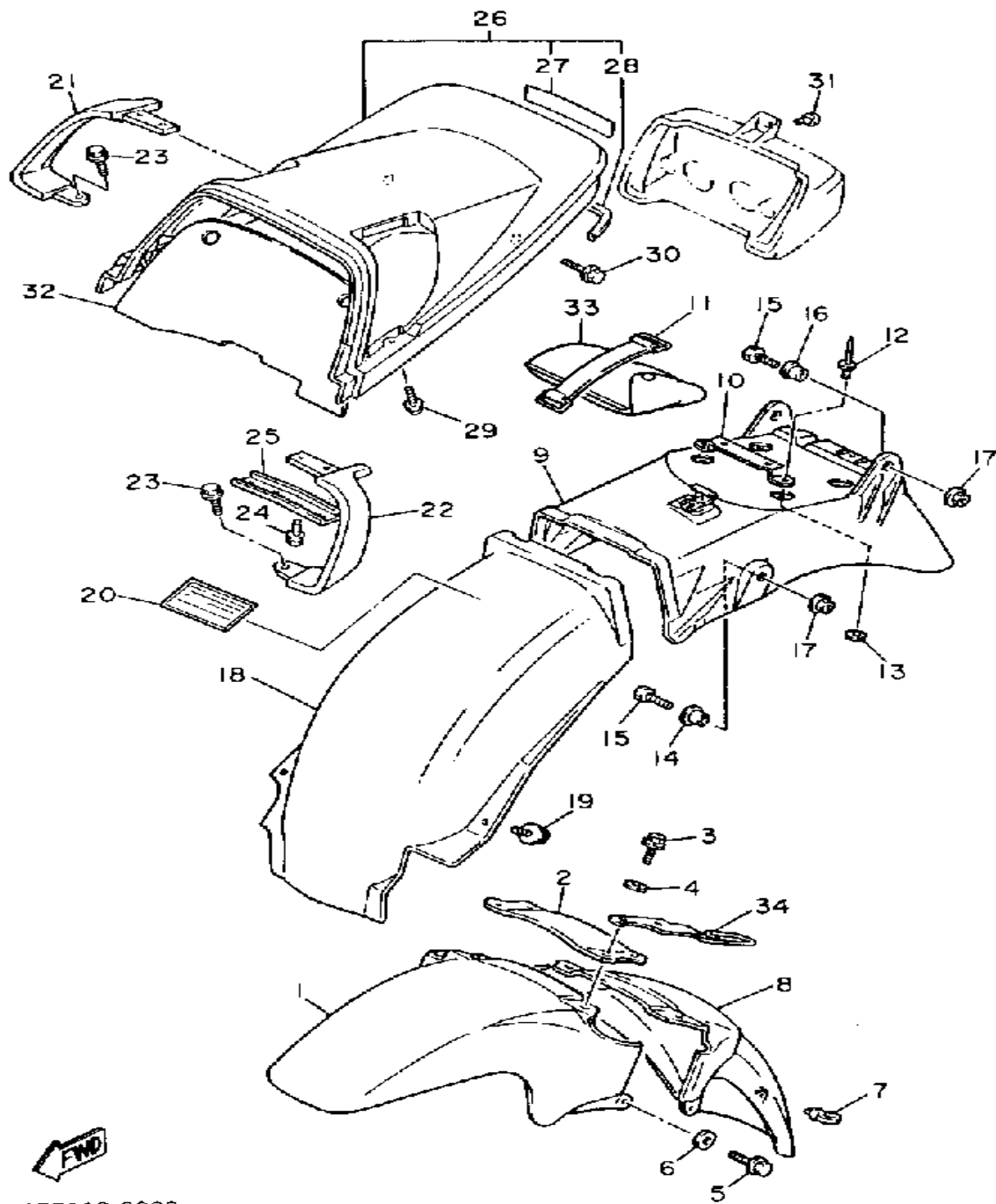
FRAME



3YA2332-1190

Ref. No.	Part Number	Description	Qty	Remarks
24	95701-10500-00	NUT, FLANGE (95702-10500)	1	
25	3XW-2140A-00-00	DAMPER, STOPPER	2	
26	3XW-21494-00-00	NUT	1	
27	90331-32097-00	PLUG (3XW)	1	
28	90387-123X4-00	COLLAR	1	
29	91311-10020-00	BOLT, SOCKET HEAD	1	
30	90387-120Y4-00	COLLAR (3XW)	1	
31	90105-10635-00	BOLT, WASHER BASED	4	
32	95701-10500-00	NUT, FLANGE (95702-10500)	2	
33	90149-08296-00	SCREW, SPEC'L SHAPE	4	
34	90105-10285-00	BOLT, WASHER BASED	2	
35	95811-10020-00	BOLT, FLANGE (95822-10020-00)	2	
36	95601-10200-00	NUT, SELF-LOCKING	2	
37	1UF-2171L-01-00	MOLD, SIDE COVER 1	2	
38	1L9-24741-00-00	PAD, SEAT	2	
39	3XW-21149-00-00	BRACKET, BATT BOX	2	
40	91311-06010-00	BOLT, SOCKET HEAD	2	
41	1VJ-14425-00-00	DAMPER 1	2	

FENDER

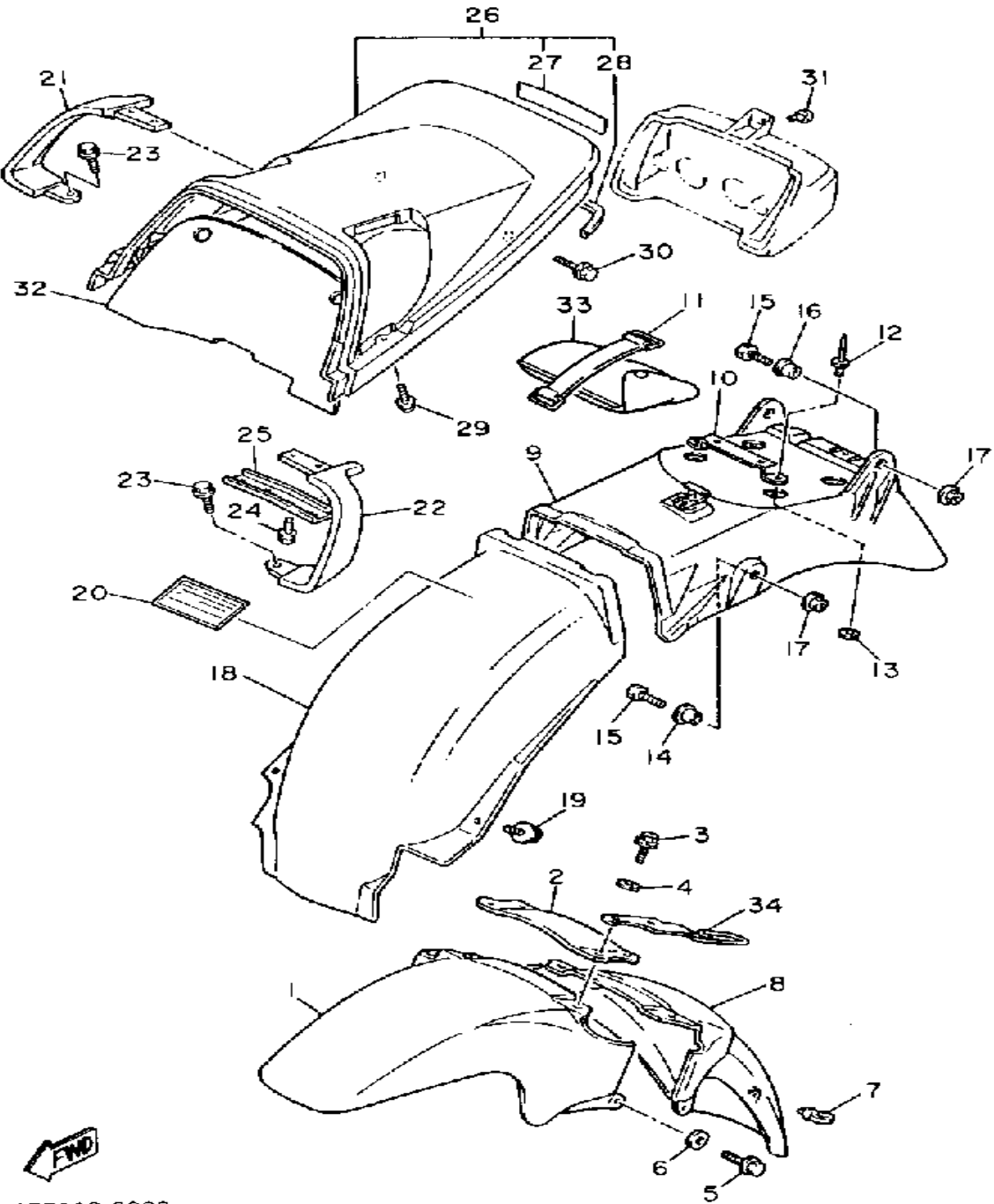


4CR110-2200

Ref. No.	Part Number	Description	Qty	Remarks
1	36Y-21511-01-P2	FENDER, FRONT	1	DARK
2	36Y-21512-00-00	BRACKET, FENDER	1	
3	95023-06020-00	BOLT, FLANGE	4	
4	90201-06050-00	WASHER, PLATE	2	
5	95026-06020-00	BOLT, FLANGE	2	
6	90201-062A8-00	WASHER, PLATE	2	
7	1A8-21518-00-00	HOLDER, CABLE	1	
8	36Y-21556-01-P2	FENDER, FRONT 2	1	
9	47M-Y2161-01-00	REAR FENDER COMP	1	
10	3YA-21682-00-00	STAY, PLATE	1	
11	337-82131-00-00	BAND, BATTERY	1	
12	90267-40076-00	RIVET, BLIND	5	
13	90201-044H9-00	WASHER, PLAIN	5	
14	90387-06648-00	COLLAR	2	
15	97011-06020-00	BOLT	4	
16	90387-06648-00	COLLAR	2	
17	95706-06500-00	NUT, FLANGE	4	
18	3YA-21629-00-00	GUARD, MUD	1	
19	90119-06108-00	BOLT, WITH WASHER	2	
20	4CR-2179R-00-00	PLATE, EPA CAL 2	1	UR
	4CR-2179V-00-00	PLATE, EPA U49 (NON CALIFORNIA)	1	UR
21	1TX-21645-00-00	STAY, REAR	1	
22	1TX-21644-00-00	STAY, REAR	1	
23	95821-08020-00	BOLT, FLANGE (95801-08020)	2	
24	95821-06014-00	BOLT, FLANGE	4	
25	1TX-2164F-00-00	STAY 1	1	
26	1TX-Y2165-80-P2	COVER, REAR FENDER	1	DARK
27	99226-00020-00	. EMBLEM, YAMAHA	1	

CONTINUED ON NEXT FRAME ►

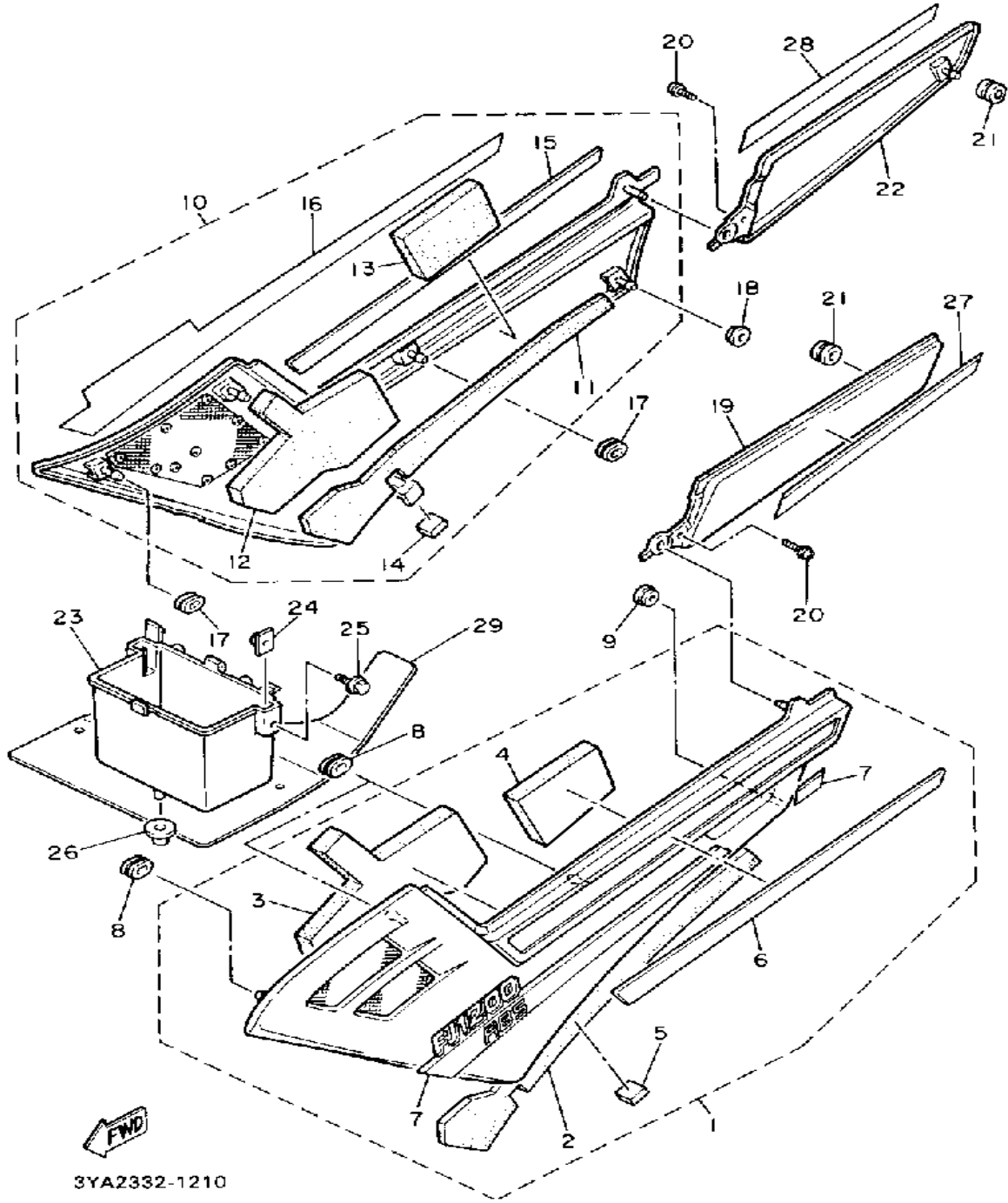
FENDER



Ref. No.	Part Number	Description	Qty	Remarks
28	36Y-21649-00-00	. DAMPER	1	
29	90159-05022-00	SCREW, WITH WASHER	2	
30	90119-06044-00	BOLT, WITH WASHER	2	
31	36Y-21639-00-00	DAMPER 2	1	
32	3YA-2163A-00-00	COVER, REAR FENDER	1	
33	3XW-28100-00-00	TOOL KIT	1	
34	3CV-21596-00-00	HOLDER	1	

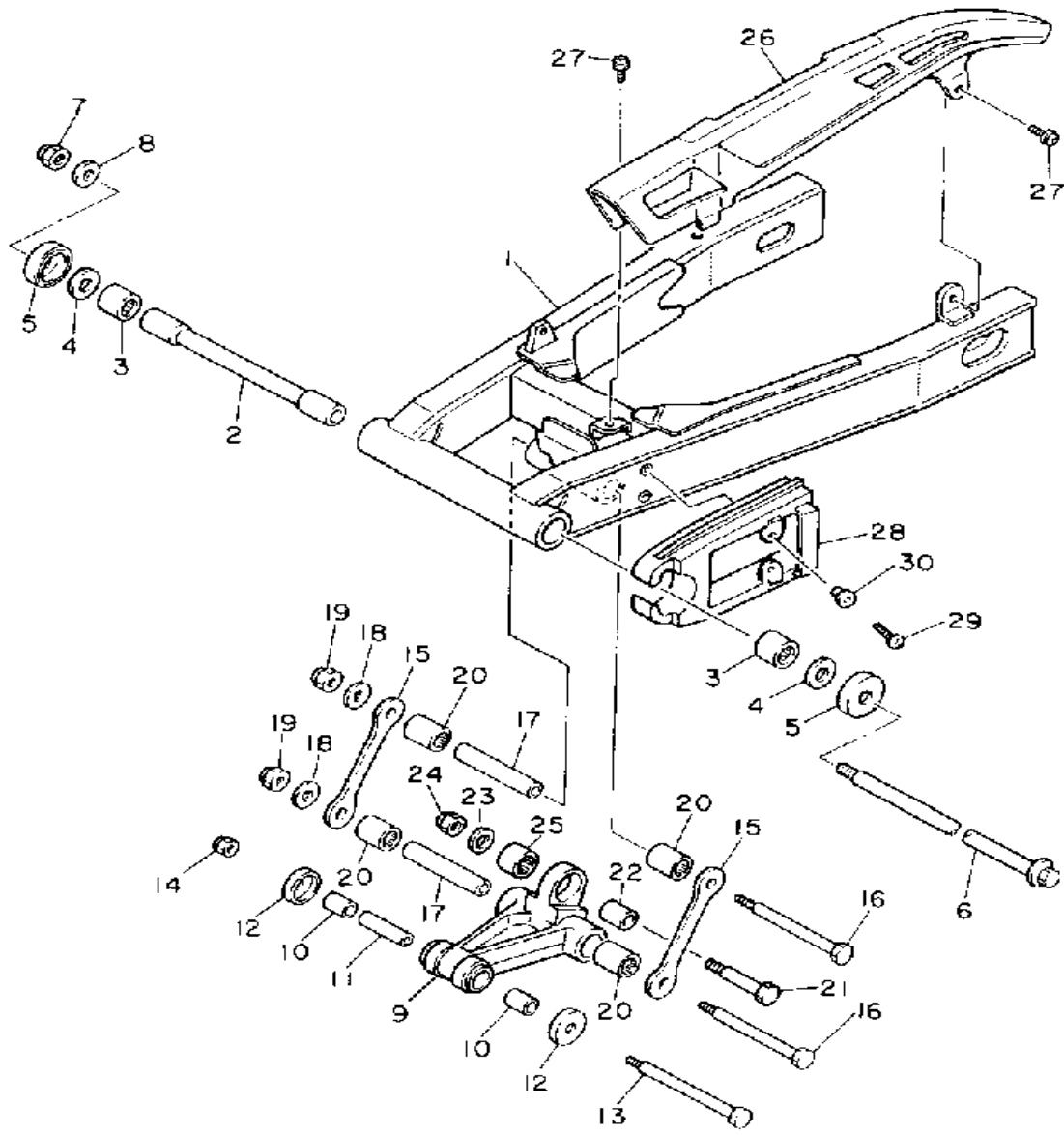
FWD
4CR110-2200

SIDE COVER



Ref. No.	Part Number	Description	Qty	Remarks
1	3XW-Y2171-60-3X	COVER, SIDE 1	1	DARK
2	3XW-21746-00-00	. DAMPER	1	
3	3XW-21778-00-00	. DAMPER, LOCATING 1	1	
4	3XW-2177M-00-00	. DAMPER, LOCATING	1	
5	1AE-2837J-00-00	. DAMPER 5	1	
6	3XW-2171L-20-00	. MOLD, SIDE COVER 1	1	
7	3YA-2173L-20-00	. GRAPHIC SET 1	1	
8	90480-01401-00	GROMMET	3	
9	90480-13398-00	GROMMET	1	
10	3XW-Y2172-60-3X	COVER, SIDE 2	1	DARK
11	36Y-21747-01-00	. DAMPER	1	
12	3XW-21779-00-00	. DAMPER, LOCATING 2	1	
13	3XW-21735-00-00	. SEAL 2	1	
14	1AE-2837J-00-00	. DAMPER 5	1	
15	3XW-2171M-20-00	. MOLD, SIDE COVER 2	1	
16	3YA-2174J-20-00	. GRAPHIC 5	1	
17	90480-01401-00	GROMMET	3	
18	90480-13398-00	GROMMET	1	
19	36Y-21731-00-0L	COVER, SIDE 3	1	MARBLE
20	90159-06060-00	SCREW, WITH WASHER	2	
21	90480-13163-00	GROMMET	2	
22	36Y-21741-00-0L	COVER, SIDE 4	1	MARBLE
23	3XW-21245-00-00	BOX	1	
24	31A-14477-00-00	PLATE	2	
25	95811-06012-00	BOLT, FLANGE	2	
26	90480-22362-00	GROMMET	1	
27	3XW-2174G-20-00	GRAPHIC 3	1	
28	3XW-2174H-20-00	GRAPHIC 4	1	
29	3YA-2172G-00-00	PANEL 2	1	

SWING ARM



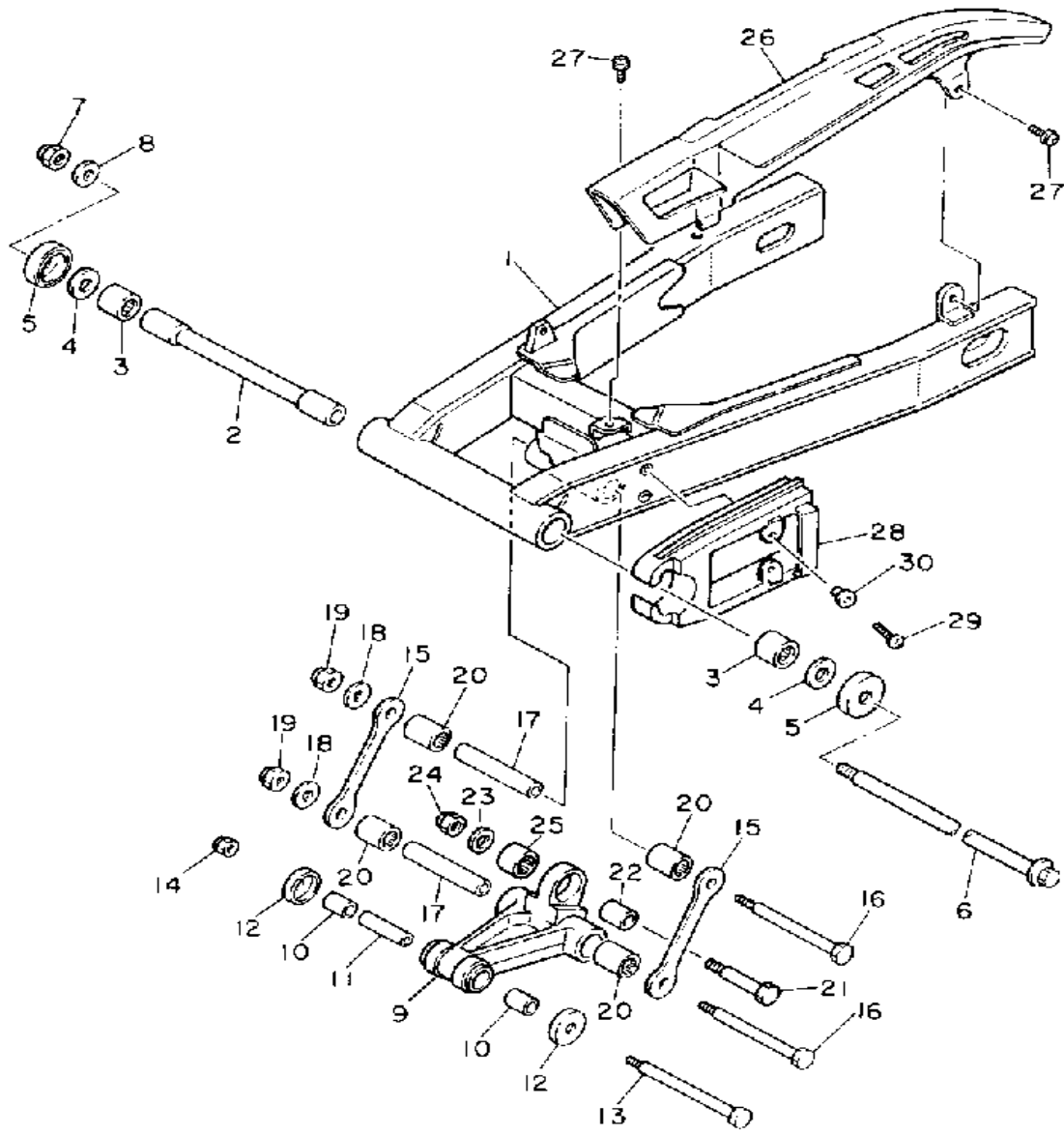
Ref. No.	Part Number	Description	Qty	Remarks
1	3XW-22110-00-35	REAR ARM	1	SILVER
2	36Y-22184-00-00	BUSH	1	
3	93317-42550-00	BEARING	2	
4	36Y-22127-00-00	SHIM	2	
5	36Y-22128-00-00	COVER, THRUST 1	2	
6	36Y-22141-00-00	SHAFT, PIVOT	1	
7	90185-14070-00	NUT, SELF-LOCKING	1	
8	90201-142M6-00	WASHER, PLATE	1	
9	3XW-2217A-00-00	ARM, RELAY	1	
10	93315-21813-00	BEARING	2	
11	90387-123M4-00	COLLAR	1	
12	36Y-22129-00-00	COVER, THRUST 2	2	
13	90101-12605-00	BOLT	1	
14	95611-12100-00	NUT, U	1	
15	3XW-2217M-00-00	ARM 1	2	
16	90101-12673-00	BOLT	2	
17	90387-126T1-00	COLLAR	2	
18	90201-126A7-00	WASHER, PLATE	2	
19	95611-12100-00	NUT, U	2	
20	93317-41761-00	BEARING	4	
21	90101-12498-00	BOLT	1	
22	90387-126W4-00	COLLAR	1	
23	90201-126A7-00	WASHER, PLATE	1	
24	95611-12100-00	NUT, U	1	
25	93317-42060-00	BEARING	1	
26	36Y-22311-00-00	CASE, CHAIN	1	
27	90159-06084-00	SCREW, WITH WASHER	2	
28	2KT-22151-00-00	SEAL, GUARD	1	
29	90159-06084-00	SCREW, WITH WASHER	2	



3YA332-1220

CONTINUED ON NEXT FRAME ►

SWING ARM

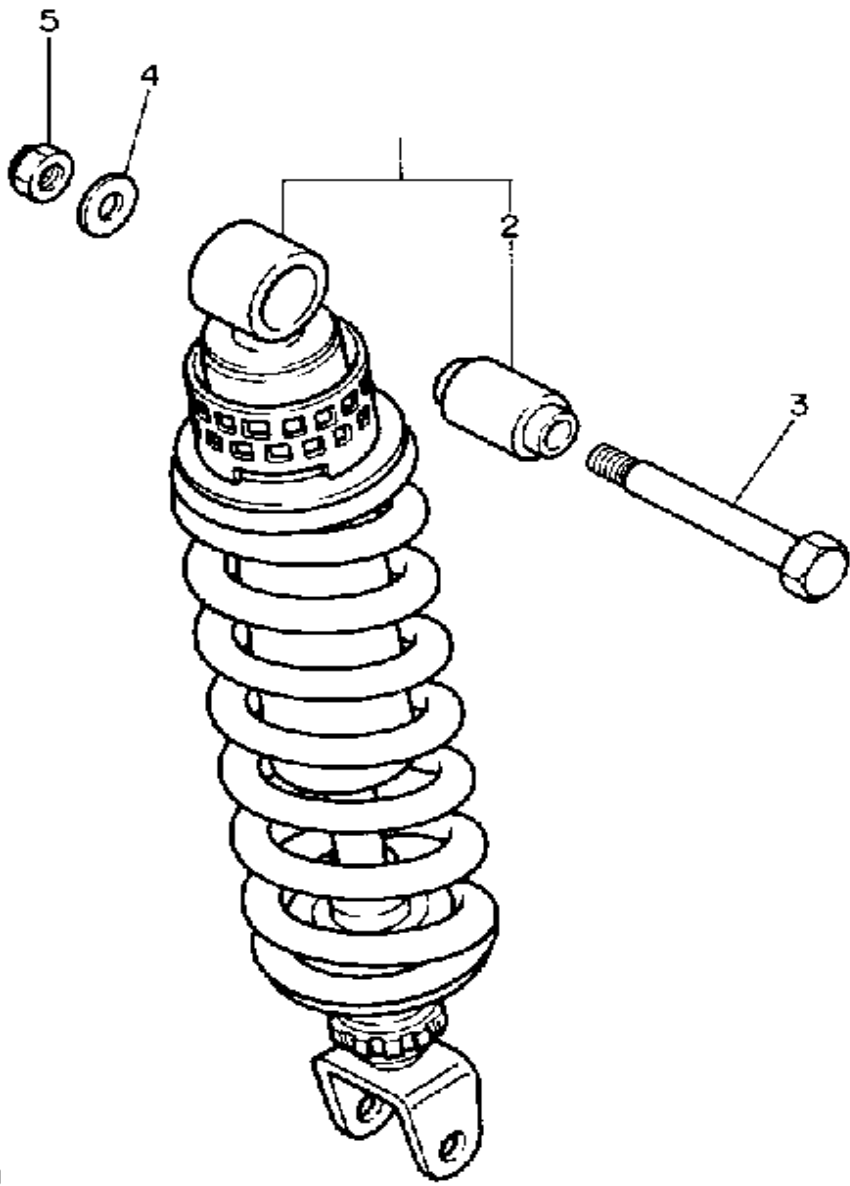


Ref. No.	Part Number	Description	Qty	Remarks
30	90387-06681-00	COLLAR	2	



3YA332-1220

REAR SHOCKS

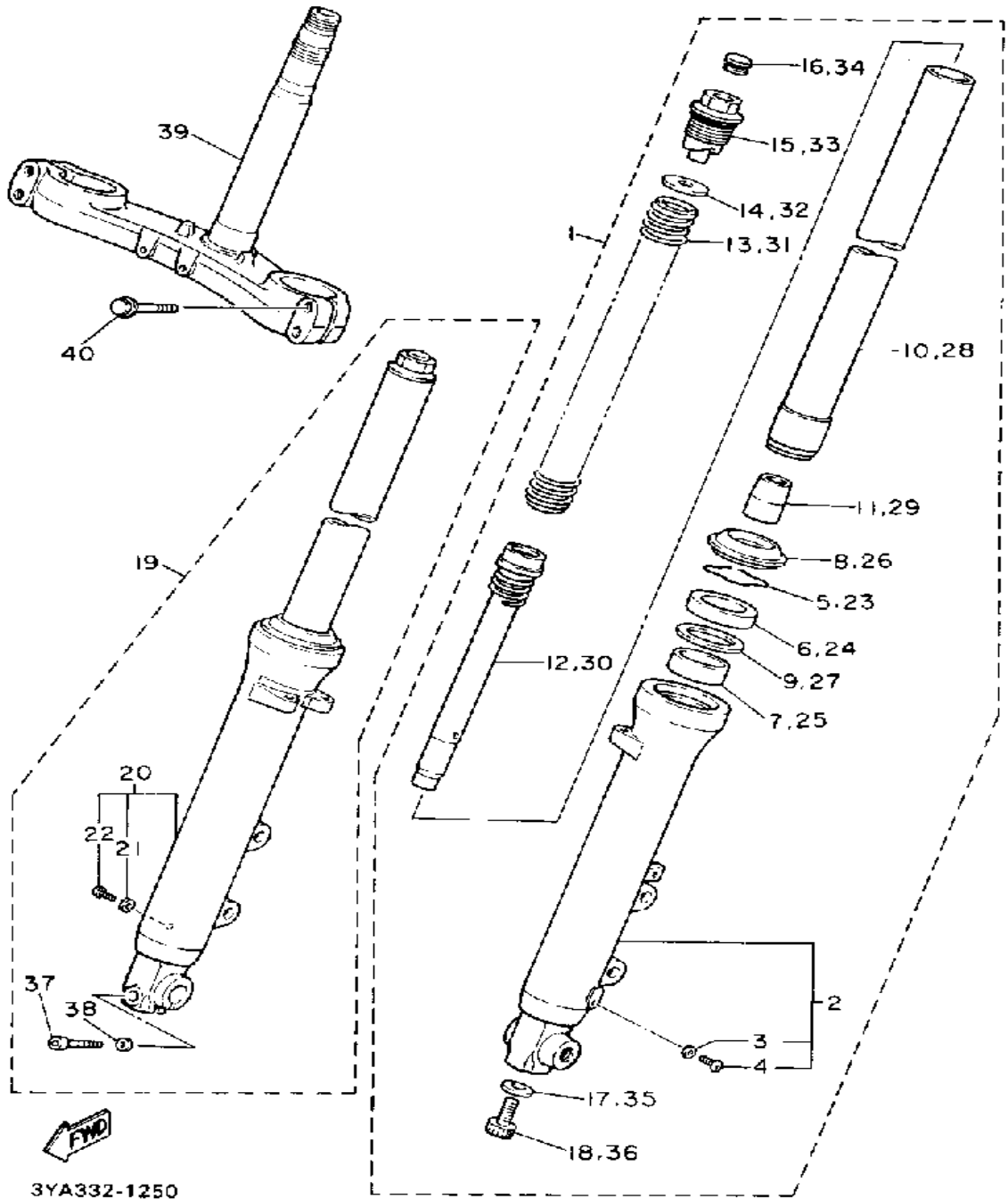


Ref. No.	Part Number	Description	Qty	Remarks
1	4CR-22210-10-00	SHK/ABS ASSEMBLY, REARREAR	1	
2	1YW-22216-00-00	. BUSH, RR SHOCK ABS	1	
3	90109-10554-00	BOLT	1	
4	90201-101J1-00	WASHER, PLATE	1	
5	95601-10100-00	NUT, U (95602-10100-00)	1	



3YA332-1230

FRONT FORK

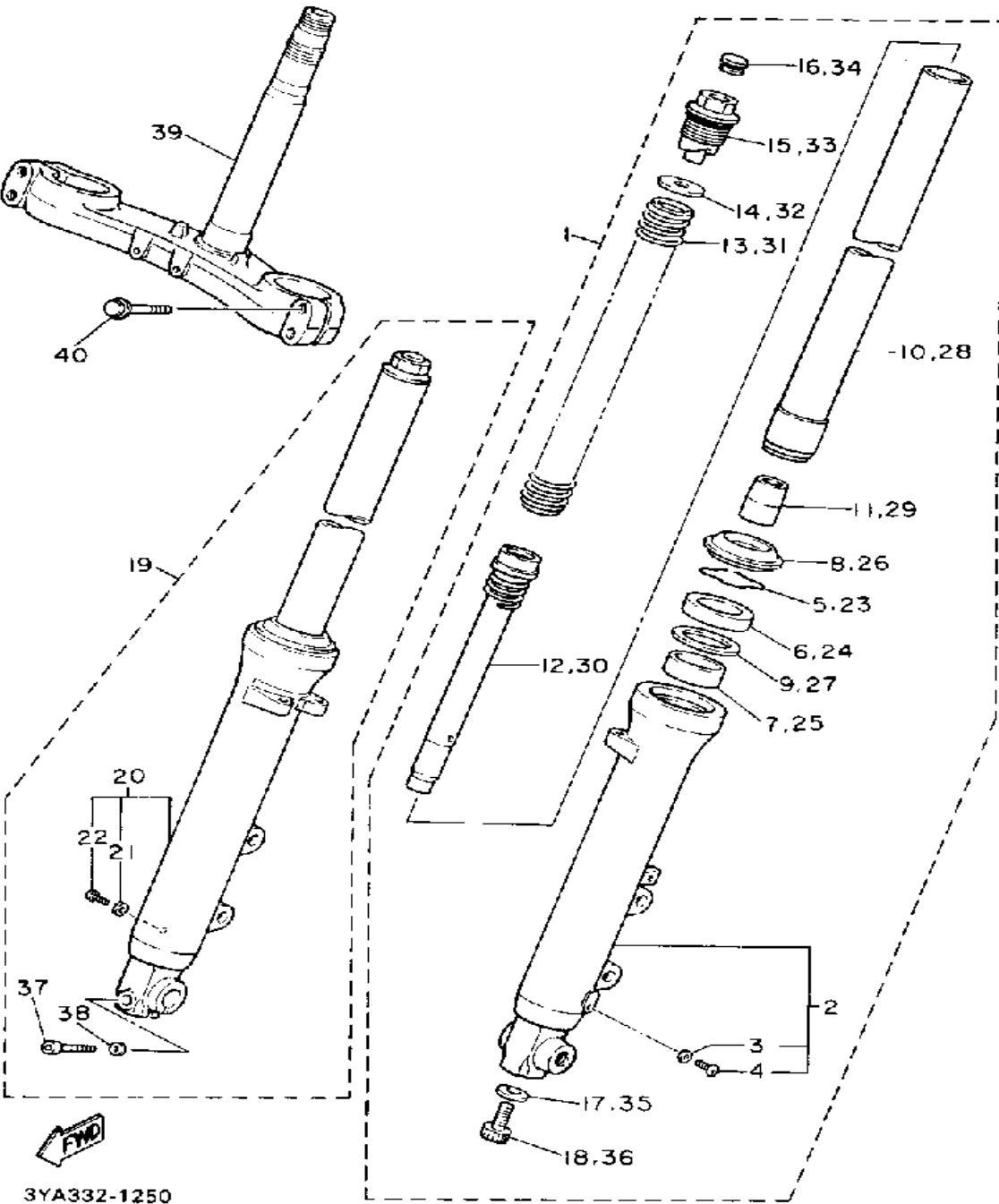


3YA332-1250

Ref. No.	Part Number	Description	Qty	Remarks
1	3XW-23102-00-00	FRONT FORK ASSEMBLY L ..	1	
2	3XW-23126-00-00	. TUBE, OUTER 1	1	
3	122-23129-00-00	.. GASKET, DRAIN PLUG	1	
4	4H7-23119-00-00	.. PLUG, DRAIN - (122-23119-01)	1	
5	26H-23156-00-00	. CLIP, OIL SEAL	1	
6	3LC-23145-00-00	. OIL SEAL	1	
7	3JD-23125-L0-00	. METAL, SLIDE 1 (3LC-23125-00-00)	1	
8	3LC-23144-00-00	. SEAL, DUST	1	
9	36Y-23146-10-00	. WASHER, OIL SEAL	1	
10	3XW-23110-00-00	. INNER TUBE 1	1	
11	3GM-23173-00-00	. SPINDLE, TAPER	1	
12	3XW-23170-00-00	. CYLINDER, FRTFRK FRONT FORK	1	
13	3XW-23141-00-00	. SPRING, FRONT FORK	1	
14	3XW-23149-00-00	. WASHER, SPRING UPR	1	
15	3XW-23111-00-00	. BOLT, CAP	1	
16	3GM-23168-00-00	. CAP, FRONT FORK	1	
17	4V4-23158-L0-00	. GASKET	1	
18	4V4-23181-L0-00	. BOLT, HEXAGON SOCKET HEAD	1	
19	3XW-23103-00-00	FRONT FORK ASSEMBLY R ..	1	
20	3XW-23136-00-00	. TUBE, OUTER 2	1	
21	122-23129-00-00	.. GASKET, DRAIN PLUG	1	
22	4H7-23119-00-00	.. PLUG, DRAIN - (122-23119-01)	1	
23	26H-23156-00-00	. CLIP, OIL SEAL	1	
24	3LC-23145-00-00	. OIL SEAL	1	
25	3JD-23125-L0-00	. METAL, SLIDE 1 (3LC-23125-00-00)	1	

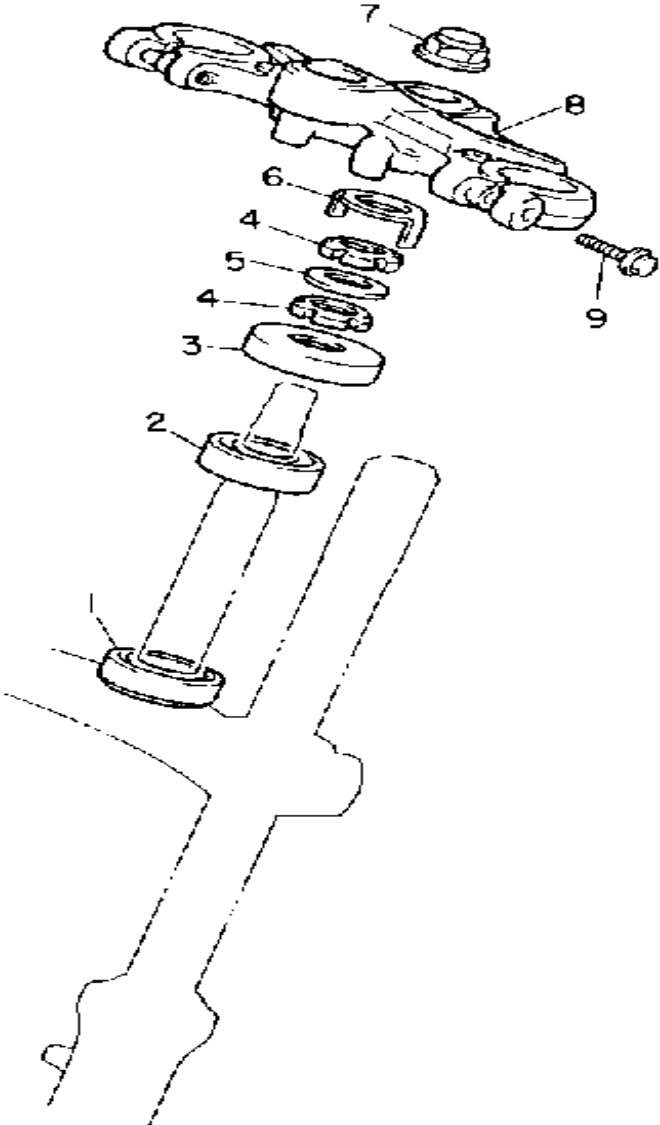
CONTINUED ON NEXT FRAME ►

FRONT FORK



Ref. No.	Part Number	Description	Qty	Remarks
26	3LC-23144-00-00	. SEAL, DUST	1	
27	36Y-23146-10-00	. WASHER, OIL SEAL	1	
28	3XW-23110-00-00	. INNER TUBE 1	1	
29	3GM-23173-00-00	. SPINDLE, TAPER	1	
30	3XW-23170-00-00	. CYLINDER, FRTFRK FRONT FORK	1	
31	3XW-23141-00-00	. SPRING, FRONT FORK	1	
32	3XW-23149-00-00	. WASHER, SPRING UPR	1	
33	3XW-23111-00-00	. BOLT, CAP	1	
34	3GM-23168-00-00	. CAP, FRONT FORK	1	
35	4V4-23158-L0-00	. GASKET	1	
36	4V4-23181-L0-00	. BOLT, HEXAGON SOCKET HEAD	1	
37	91311-08045-00	. BOLT	1	
38	90201-08085-00	. WASHER, PLATE	1	
39	3XW-23340-00-00	UNDER BRACKET	1	
40	1AE-23128-00-00	BOLT, AXLE HOLDER	4	

STEERING

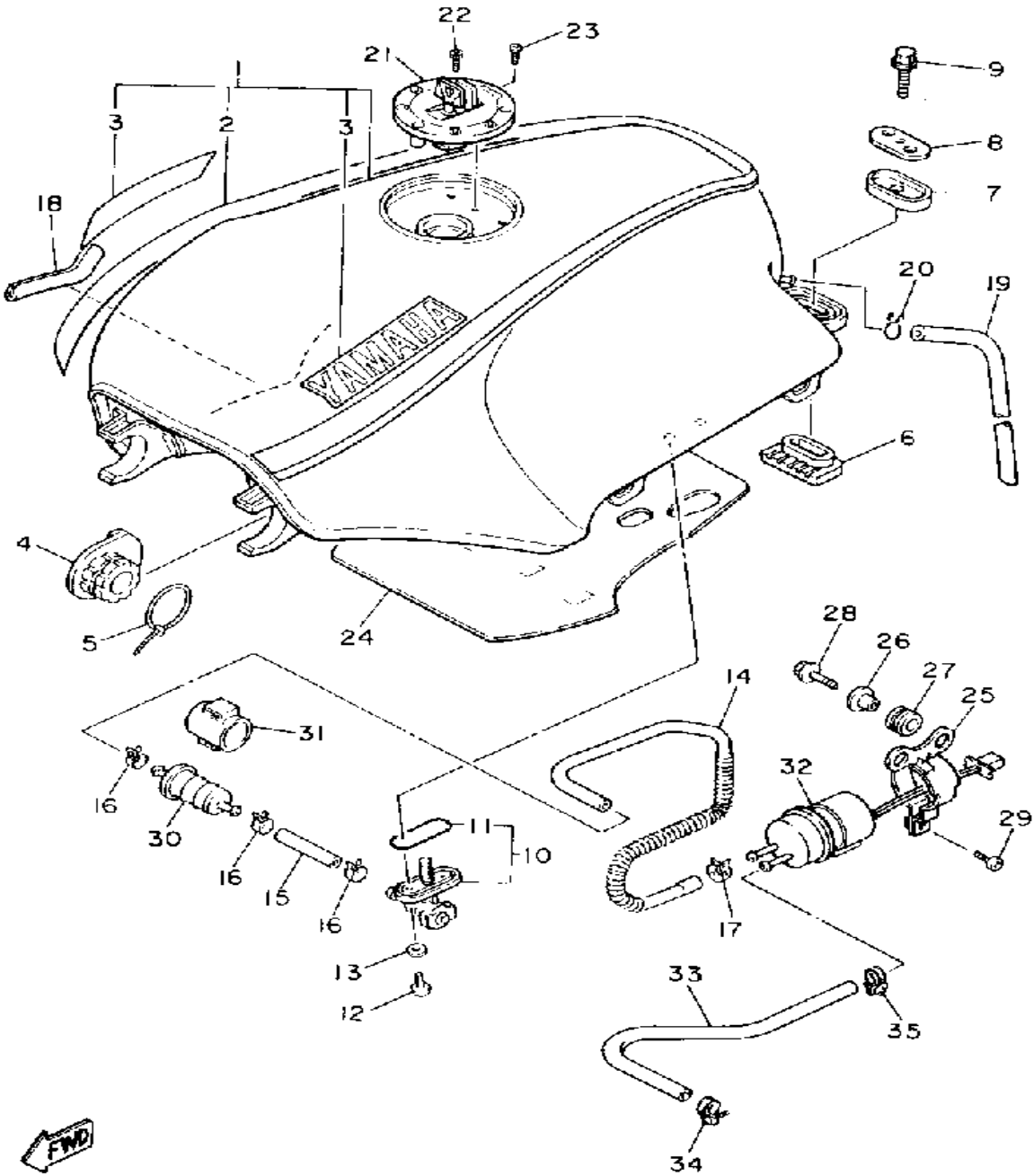


Ref. No.	Part Number	Description	Qty	Remarks
1	93332-00008-00	BEARING	1	
2	93332-00001-00	BEARING	1	
3	1J7-23415-00-00	COVER, BALL RACE 1	1	
4	90179-25033-00	NUT	2	
5	90202-26142-00	WASHER, PLATE	1	
6	26H-23418-01-00	WASHER, SPECIAL	1	
7	90179-22455-00	NUT, SPEC'L SHAPE	1	
8	47M-23435-00-00	CROWN, HANDLE	1	
9	95026-08045-00	BOLT, FLANGE	2	



3YA332-1240

FUEL TANK(NON-CALIFORNIA MODEL)

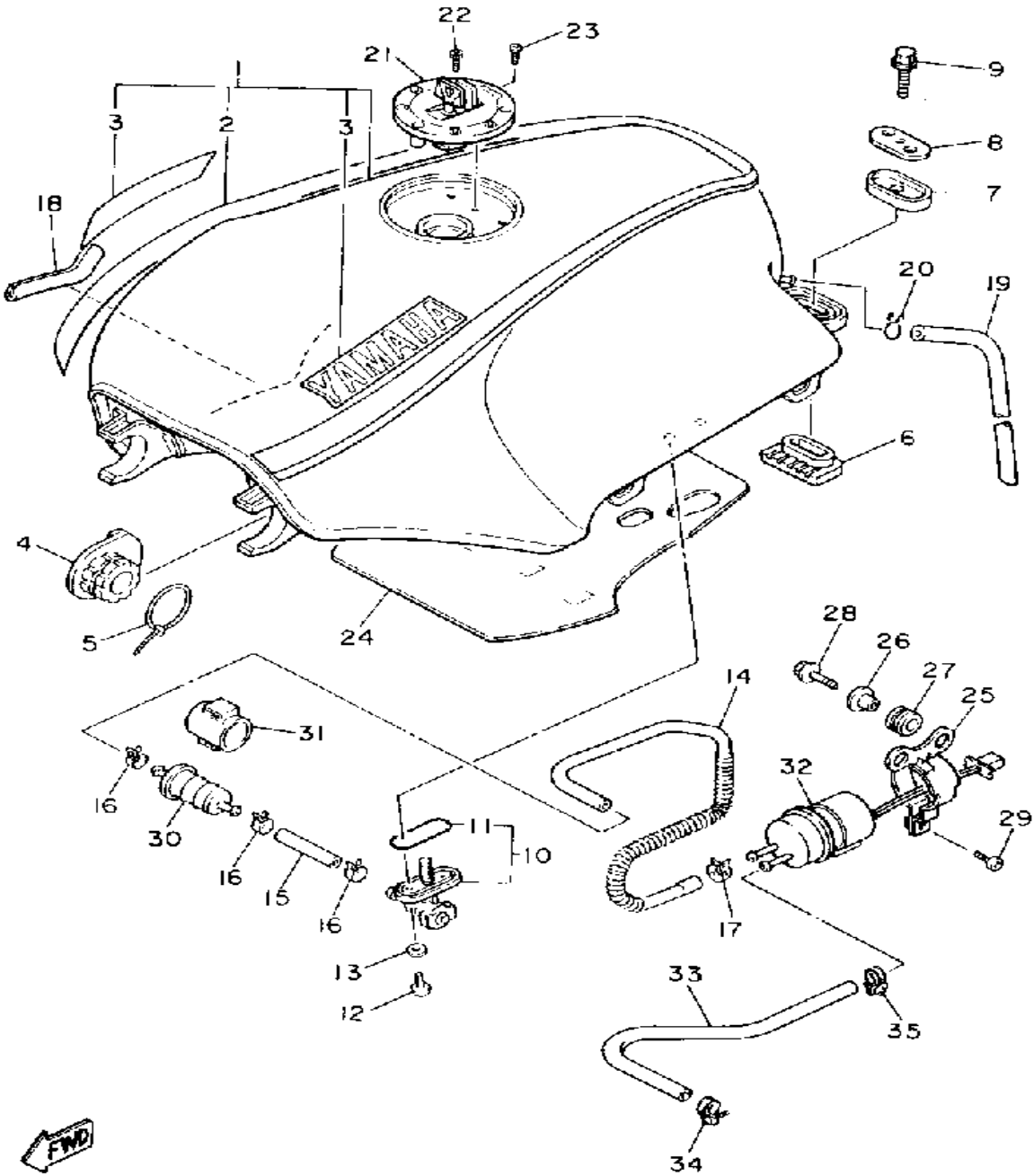


Ref. No.	Part Number	Description	Qty	Remarks
1	3CV-24110-00-X1	FUEL TANK	1	MARBLE
2	3XW-24244-20-00	. GRAPHIC, FUEL TNK 1	1	
3	99224-00040-00	. EMBLEM, YAMAHA YAMAHA (BLACK)	2	
4	36Y-24181-01-00	DAMPER, LOCATING 1	2	
5	12R-82591-00-00	BAND	2	
6	36Y-24182-00-00	DAMPER, LOCATING 2	2	
7	3Y6-24183-00-00	DAMPER, LOCATING 3	2	
8	36Y-24186-00-00	WASHER, SPECIAL	2	
9	95816-06030-00	BOLT, FLANGE	2	
10	26H-24500-00-00	FUEL COCK ASSEMBLY 1 ...	1	
11	214-24512-00-00	. GASKET	1	
12	90149-06011-00	SCREW	2	
13	90202-05187-00	WASHER, PLATE	2	
14	3CV-24310-00-00	FUEL PIPE ASSEMBLY	1	
15	90445-136F8-00	HOSE	1	
16	90467-11044-00	CLIP	3	
17	90467-10091-00	CLIP, SCISSOR	1	
18	1HX-24188-01-00	MOLD, FUEL TANK	1	
19	90445-105G5-00	HOSE	1	
20	90467-09006-00	CLIP	1	
21	1JK-24602-13-00	CAP ASSEMBLY	1	
22	90110-05112-00	BOLT, HEXAGON SOCKET HEAD	3	
23	91311-05010-00	BOLT, SOCKET HEAD	1	
24	3CV-24125-00-00	SEAL, AIR SHROUD 1	1	
25	3CV-24491-00-00	BRACKET, FUEL PUMP	1	
26	90387-062L2-00	COLLAR	2	
27	90480-13163-00	GROMMET	2	

3YY351-1260

CONTINUED ON NEXT FRAME ►

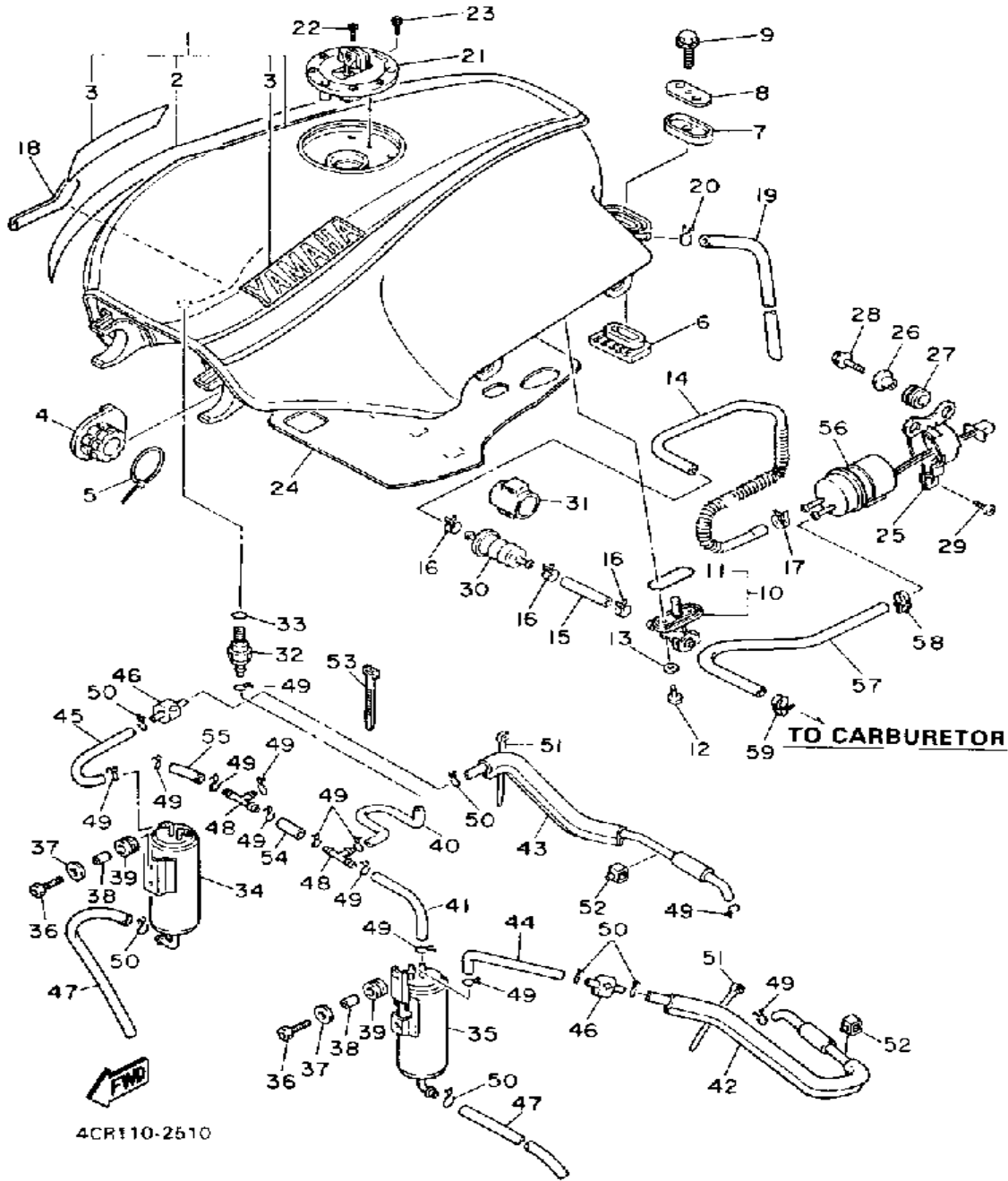
FUEL TANK(NON-CALIFORNIA MODEL)



Ref. No.	Part Number	Description	Qty	Remarks
28	95811-06016-00	BOLT, FLANGE (95822-06016)	2	
29	98580-05010-00	SCREW, PAN HEAD	1	
30	1FK-24560-00-00	FILTER ASSEMBLY	1	
31	1FK-24566-00-00	BRACKET, FILTER	1	
32	3CV-13907-00-00	FUEL PUMP COMP.	1	
33	90445-055G8-00	HOSE	1	
34	90467-11090-00	CLIP	1	
35	90467-11090-00	CLIP	1	

FWD
3YY351-1260

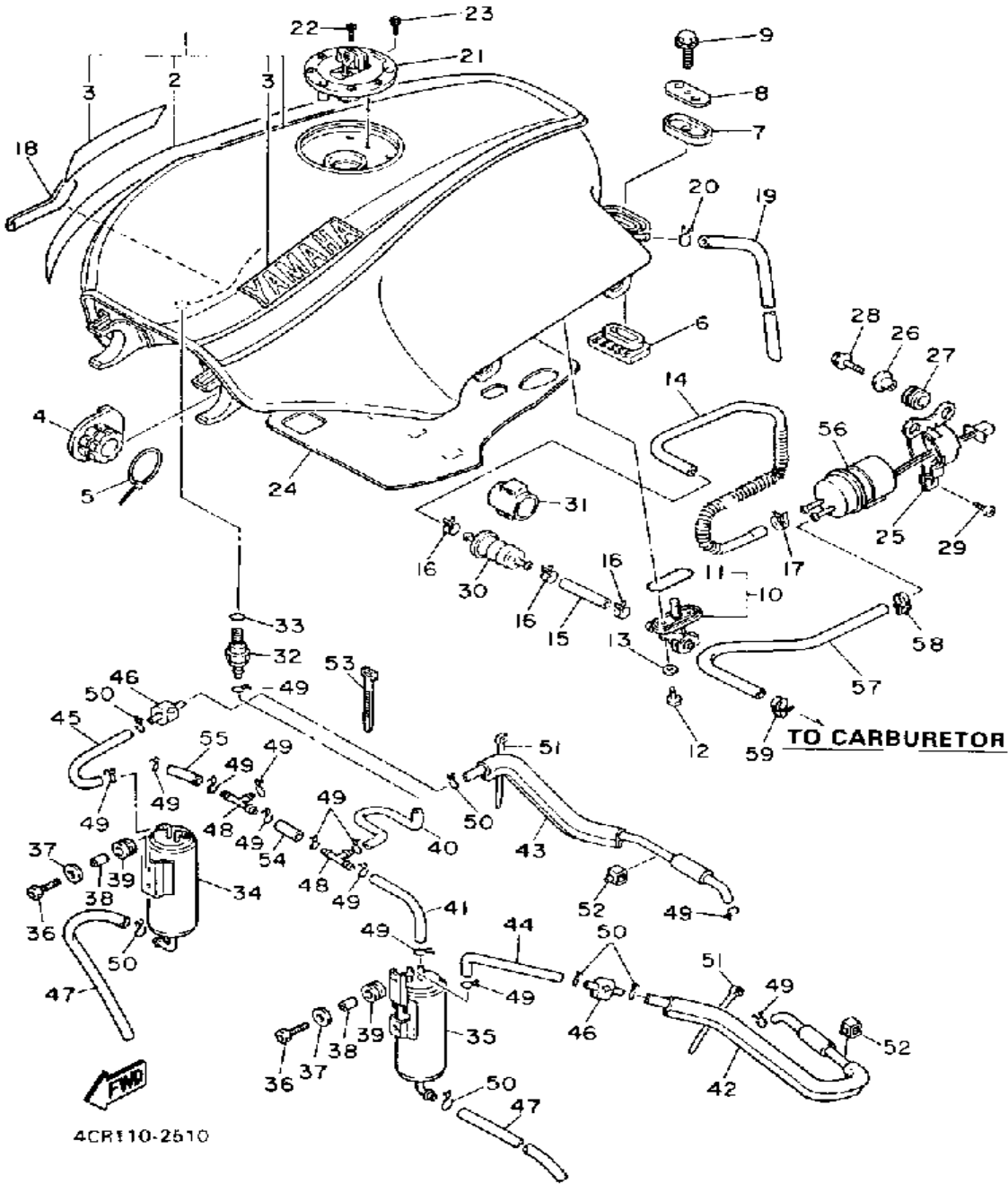
FUEL TANK (CALIFORNIA MODEL ONLY)



Ref. No.	Part Number	Description	Qty	Remarks
1	3SK-24110-00-08	FUEL TANK	1	MARBLE
2	3XW-24244-20-00	. GRAPHIC, FUEL TNK 1	1	
3	99224-00040-00	. EMBLEM, YAMAHA YAMAHA (BLACK)	2	
4	36Y-24181-01-00	DAMPER, LOCATING 1	2	
5	12R-82591-00-00	BAND	2	
6	36Y-24182-00-00	DAMPER, LOCATING 2	2	
7	3Y6-24183-00-00	DAMPER, LOCATING 3	2	
8	36Y-24186-00-00	WASHER, SPECIAL	2	
9	95816-06030-00	BOLT, FLANGE	2	
10	26H-24500-00-00	FUEL COCK ASSEMBLY 1	1	
11	214-24512-00-00	. GASKET	1	
12	90149-06011-00	SCREW	2	
13	90202-05187-00	WASHER, PLATE	2	
14	3CV-24310-00-00	FUEL PIPE ASSEMBLY	1	
15	90445-136F8-00	HOSE	1	
16	90467-11044-00	CLIP	3	
17	90467-10091-00	CLIP, SCISSOR	1	
18	1HX-24188-01-00	MOLD, FUEL TANK	1	
19	90445-105G5-00	HOSE	1	
20	90467-09006-00	CLIP	1	
21	1LJ-24602-03-00	CAP ASSEMBLY	1	
22	90110-05112-00	BOLT, HEXAGON SOCKET HEAD	3	
23	91311-05010-00	BOLT, SOCKET HEAD	1	
24	3CV-24125-00-00	SEAL, AIR SHROUD 1	1	
25	3CV-24491-00-00	BRACKET, FUEL PUMP	1	
26	90387-062L2-00	COLLAR	2	
27	90480-13163-00	GROMMET	2	

CONTINUED ON NEXT FRAME ►

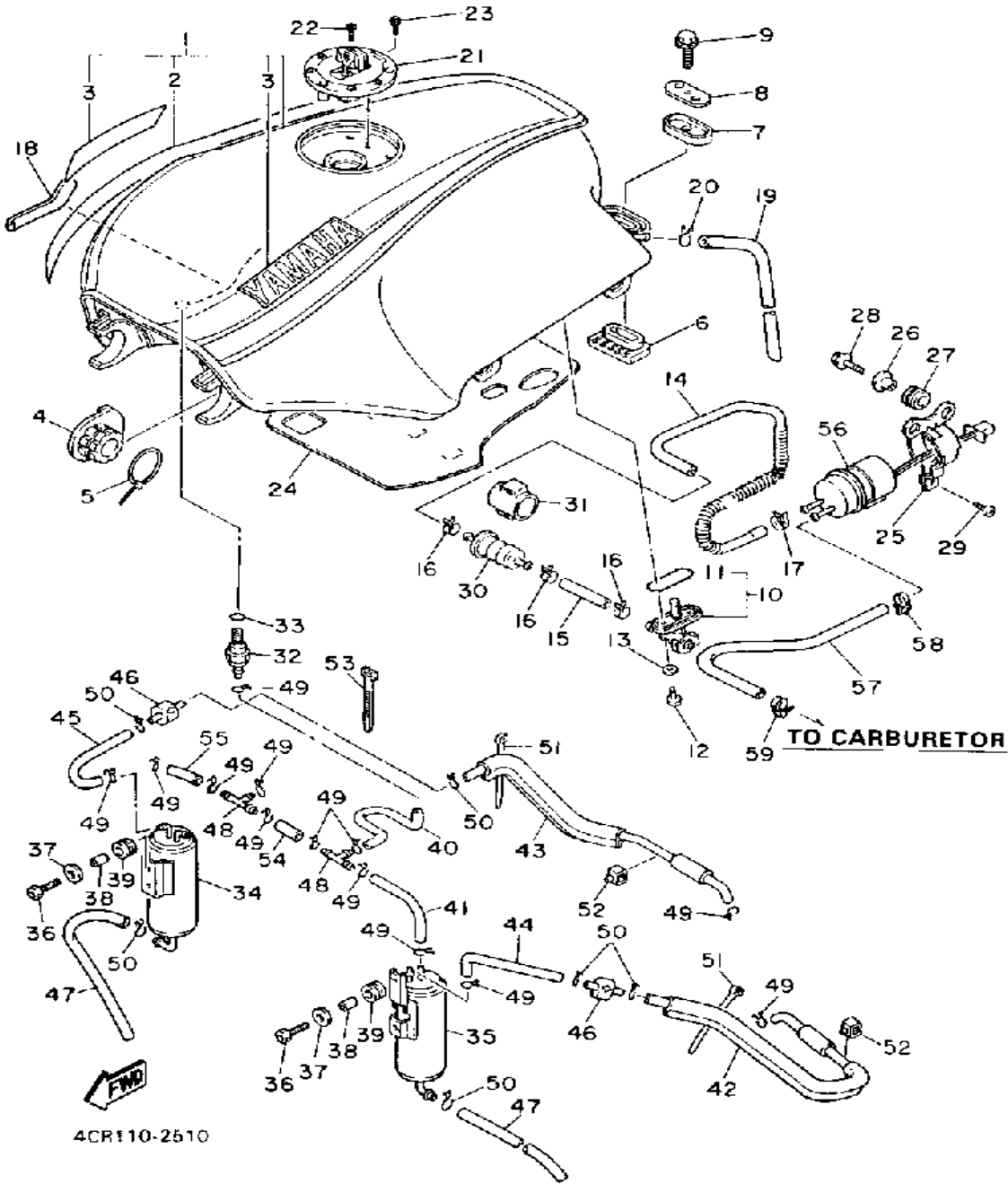
FUEL TANK (CALIFORNIA MODEL ONLY)



Ref. No.	Part Number	Description	Qty	Remarks
28	95811-06016-00	BOLT, FLANGE (95822-06016)	2	
29	98580-05010-00	SCREW, PAN HEAD	1	
30	1FK-24560-00-00	FILTER ASSEMBLY	1	
31	1FK-24566-00-00	BRACKET, FILTER	1	
32	20K-24180-00-00	ROLL OVER VALVE ASSEMBLY	1	
33	93210-10166-00	O-RING	1	
34	4CR-24170-00-00	CANISTER ASSEMBLY	1	
35	1WJ-24170-50-00	CANISTER ASSEMBLY	1	
36	91316-06016-00	BOLT, SOCKET HEAD	4	
37	90201-063J2-00	WASHER, PLATE	4	
38	90387-060G7-00	COLLAR	4	
39	90480-12529-00	GROMMET	4	
40	47M-24311-01-00	PIPE, FUEL 1	1	
41	90445-11542-00	HOSE	1	
42	1WJ-24312-01-00	PIPE 2	1	
43	4CR-24315-00-00	PIPE 5	1	
44	1WJ-24313-01-00	PIPE 3	1	
45	4CR-24317-00-00	PIPE 7	1	
46	1WJ-14895-00-00	VALVE, OUTER VENT CONTROL	2	
47	90445-11182-00	HOSE	2	
48	3H3-24376-00-00	PIPE, JOINT 1	2	
49	90467-10008-00	CLIP	13	
50	90467-11106-00	CLIP	6	
51	90465-13169-00	CALMP	2	
52	90464-08020-00	CLAMP	2	
53	90464-14117-00	CLAMP	1	
54	90445-11697-00	HOSE	1	

CONTINUED ON NEXT FRAME ►

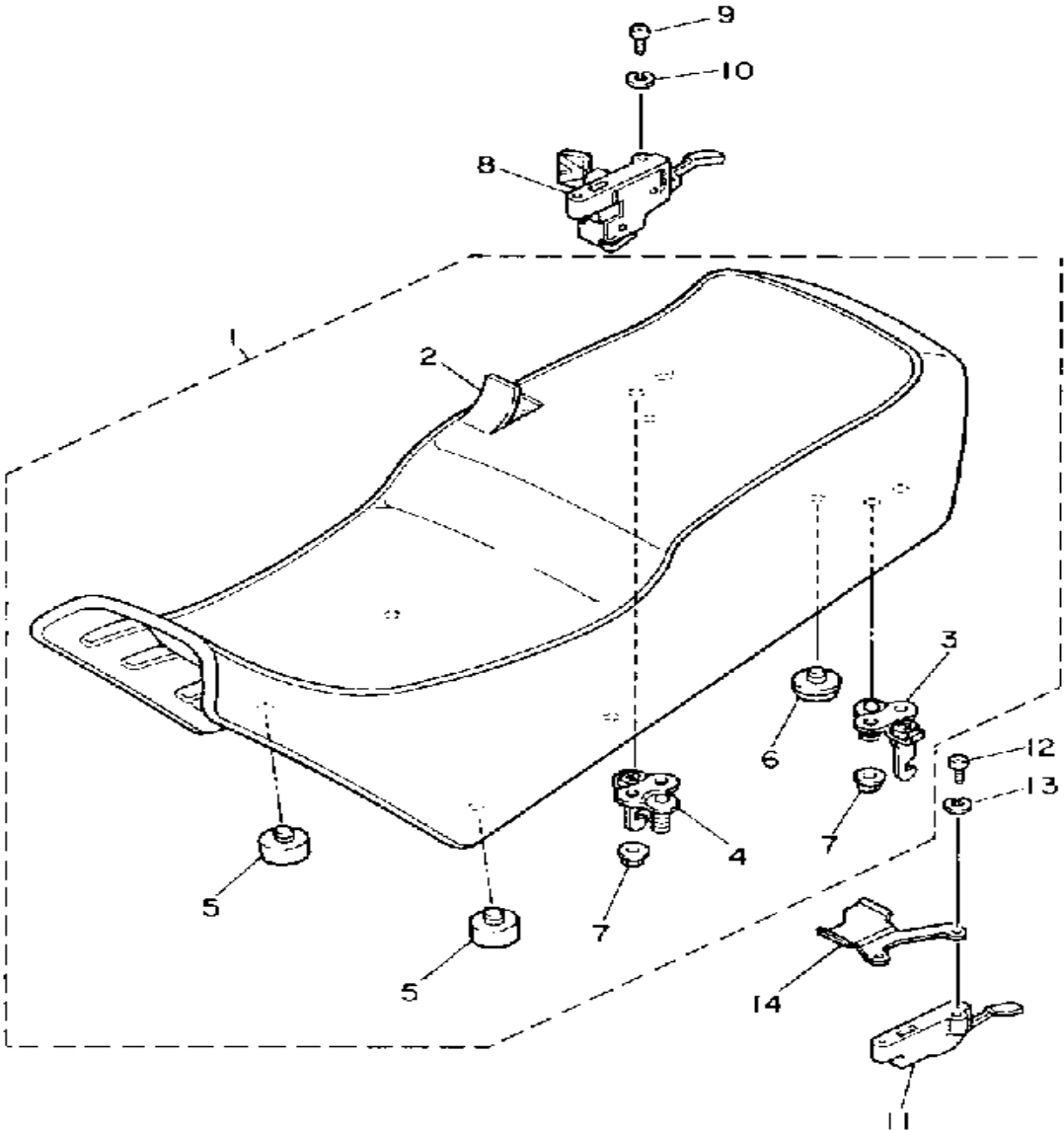
FUEL TANK (CALIFORNIA MODEL ONLY)



Ref. No.	Part Number	Description	Qty	Remarks
55	90445-11626-00	HOSE	1	
56	3CV-13907-00-00	FUEL PUMP COMP.	1	
57	90445-055G8-00	HOSE	1	
58	90467-11090-00	CLIP	1	
59	90467-11090-00	CLIP	1	

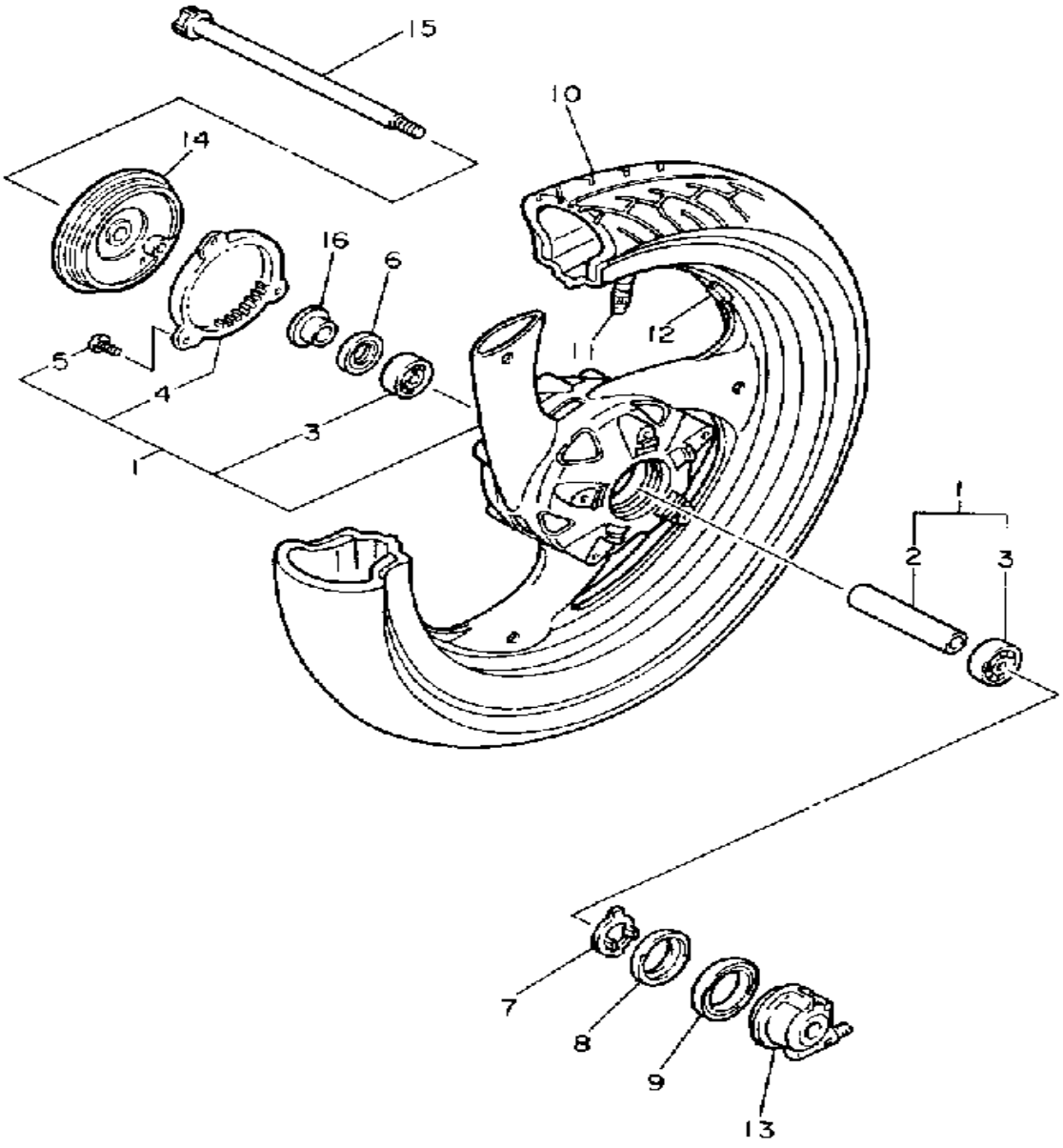
SEAT

Ref. No.	Part Number	Description	Qty	Remarks
1	3CV-24730-00-00	DOUBLE SEAT ASSEMBLY ...	1	
2	3CV-24731-40-00	. COVER, DOUBLE SEAT	1	
3	36Y-24728-00-00	. BRACKET, SEAT	1	
4	36Y-24738-00-00	. BRACKET, SEAT	1	
5	1T4-24741-00-00	. PAD, SEAT	4	
6	1L9-24741-00-00	. PAD, SEAT	2	
7	95701-06500-00	. NUT, FLANGE	4	
8	36Y-24705-00-00	SEAT LOCK ASSEMBLY.	1	
9	98502-06016-00	SCREW, PAN HEAD (98501-06014-00)	2	
10	92995-06100-00	WASHER, SPRING	2	
11	36Y-24760-00-00	SEAT LEVER ASSEMBLY	1	
12	98502-06016-00	SCREW, PAN HEAD (98501-06014-00)	2	
13	92995-06100-00	WASHER, SPRING	2	
14	3YA-24781-00-00	SUPPORT, SPRING 1	1	



3YA2332-1270

FRONT WHEEL

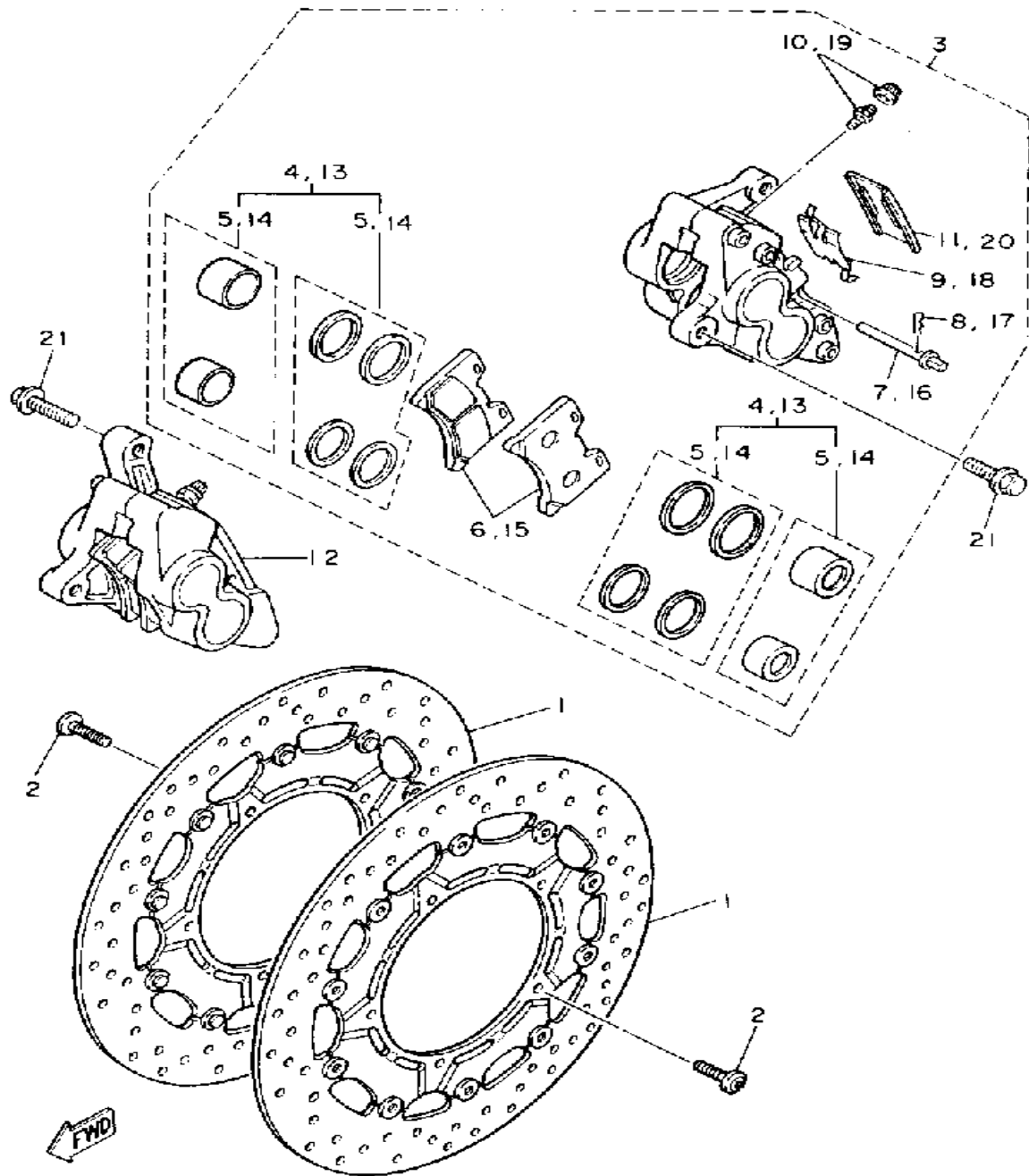


Ref. No.	Part Number	Description	Qty	Remarks
1	3YA-W2513-00-WG	CAST WHEEL, FRONT	1	HI TECH
2	90560-15314-00	. SPACER	1	
3	93306-30202-00	. BEARING	2	
4	3YA-2517G-00-00	. ROTOR, SENSOR	1	
5	90159-05155-00	. SCREW, WITH WASHER	3	
6	93102-22014-00	OIL SEAL	1	
7	341-25149-00-00	CLUTCH, METER	1	
8	341-25846-00-00	RETAINER, CLUTCH	1	
9	93105-45017-00	OIL SEAL	1	
10	94112-175X8-00	120/70V17V250K275D (120/70V17-V250 K275F)	1	DUNLOP
11	93900-00030-00	VALVE, RIM	1	
12	29L-25398-00-00	BALANCER, WHEEL (10G)	1	UN
	29L-25398-10-00	BALANCER, WHEEL (20G)	1	UN
	29L-25398-20-00	BALANCER, WHEEL (30G)	1	UN
13	1WG-25190-00-00	GEAR UNIT ASSEMBLY	1	
14	3YA-2517A-00-WG	HOUSING, SENSOR FRTSENSOR FRONT	1	HI TECH SILVER
15	18G-25381-00-00	AXLE, WHEEL	1	
16	90387-153N7-00	COLLAR	1	



4CC2010-1280

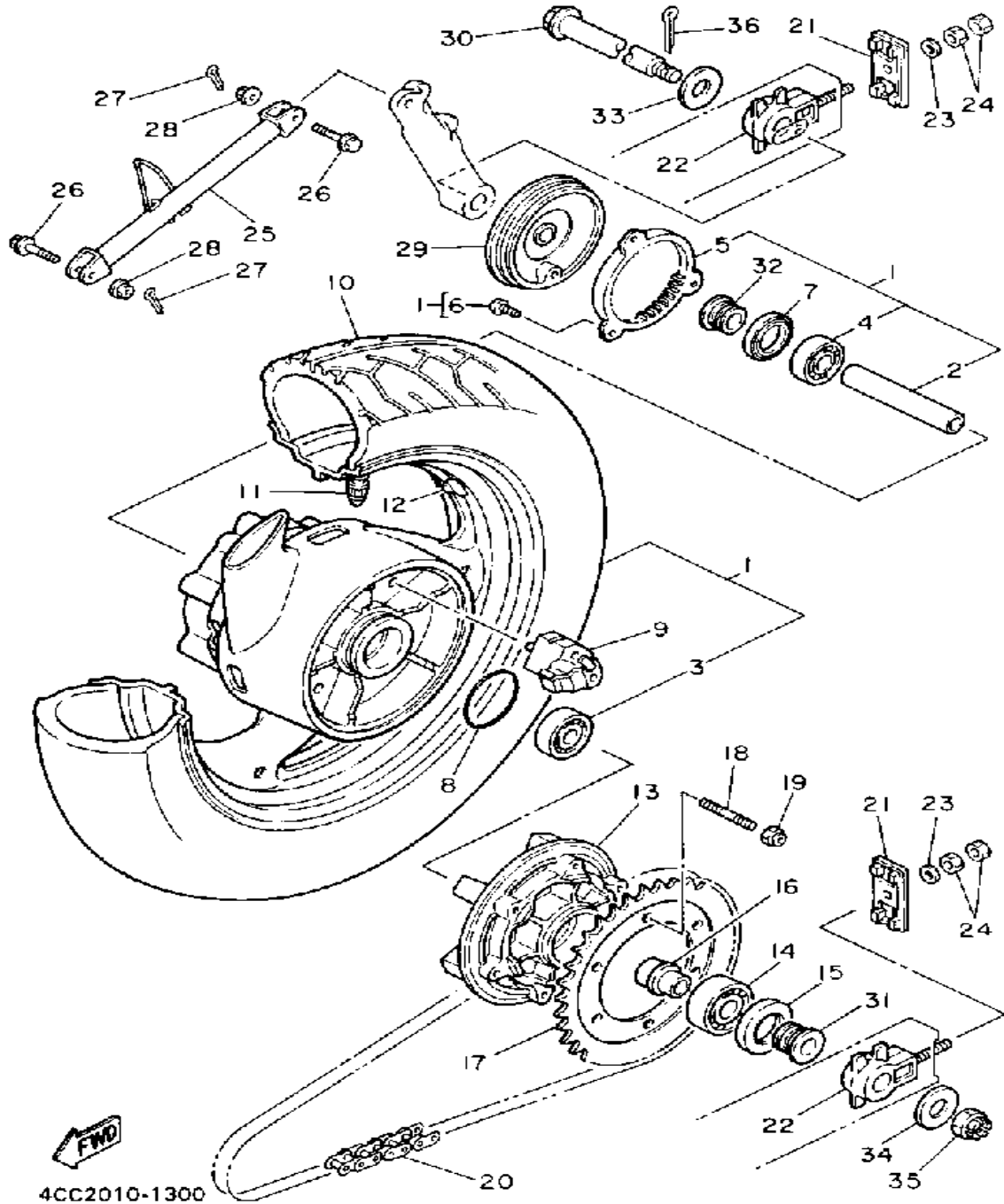
FRONT BRAKE CALIPER



3YA2332-1290

Ref. No.	Part Number	Description	Qty	Remarks
1	3YA-2581T-00-00	DISC BRAKE ASSEMBLY LEFT	2	
2	90109-08718-00	BOLT	10	
3	3XW-2580T-00-00	CALIPER ASSEMBLY LEFT (LEFT)	1	
4	1NL-W0057-00-00	. PISTON ASSEMBLY, CALIPER	2	
5	1NL-W0047-00-00	. . CALIPER SEAL KIT	1	
6	2GH-W0045-01-00	. BRAKE PAD KIT, FRNT	1	
7	3HE-25924-00-00	. PIN, PAD	2	
8	3GM-25925-00-00	. CLIP	2	
9	2GH-25919-00-00	. SUPPORT, PAD	1	
10	1J3-W0048-00-00	. BLEED SCREW KIT	1	
11	1KT-25836-00-00	. COVER, DUST	1	
12	3XW-2580U-00-00	CALIPER ASSEMBLY RIGHT (RIGHT)	1	
13	1NL-W0057-00-00	. PISTON ASSEMBLY, CALIPER	2	
14	1NL-W0047-00-00	. . CALIPER SEAL KIT	1	
15	2GH-W0045-01-00	. BRAKE PAD KIT, FRNT	1	
16	3HE-25924-00-00	. PIN, PAD	2	
17	3GM-25925-00-00	. CLIP	2	
18	2GH-25919-00-00	. SUPPORT, PAD	1	
19	1J3-W0048-00-00	. BLEED SCREW KIT	1	
20	1KT-25836-00-00	. COVER, DUST	1	
21	90105-10638-00	BOLT, WASHER BASED	4	

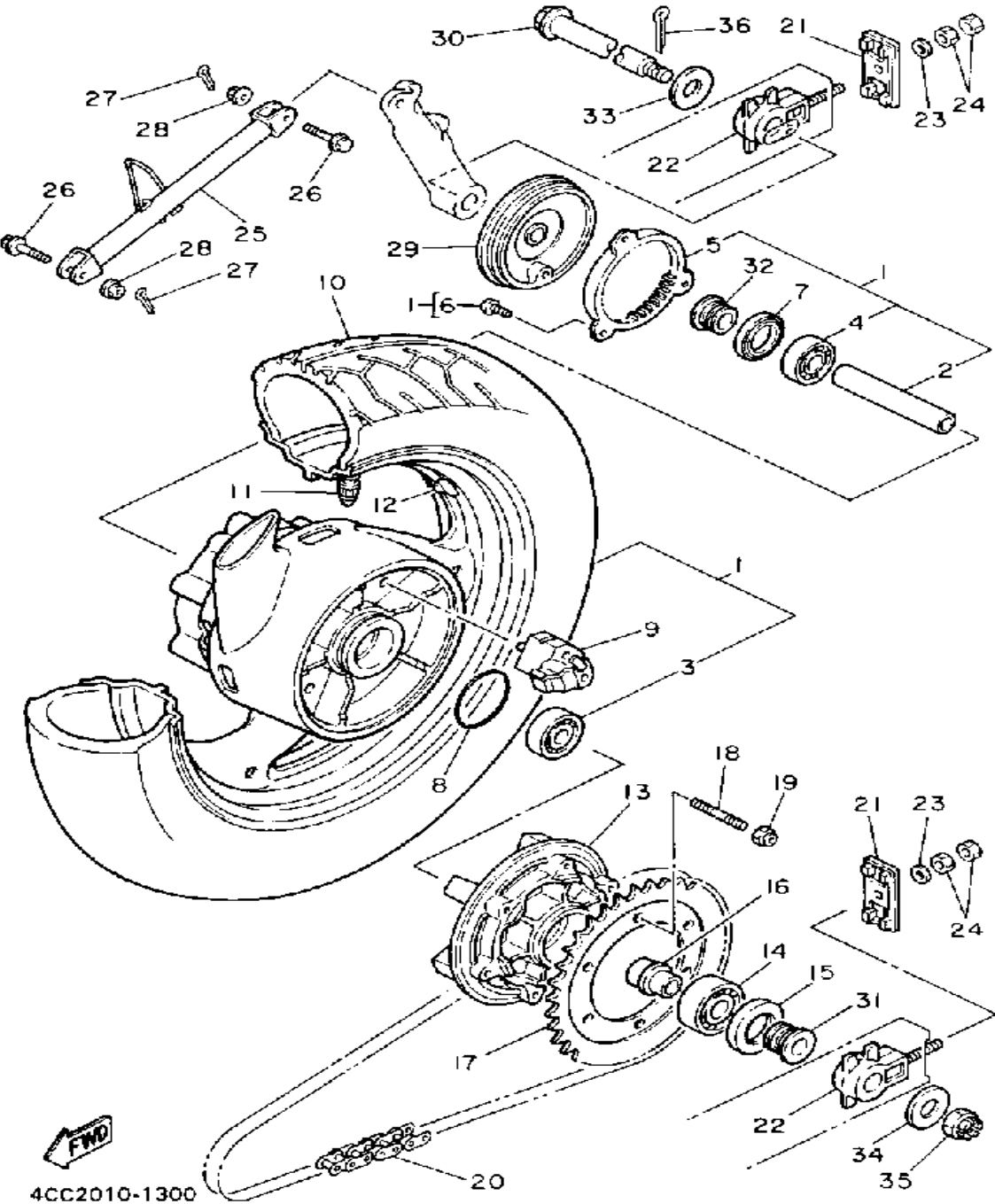
REAR WHEEL



Ref. No.	Part Number	Description	Qty	Remarks
1	3YA-W2533-00-WG	WHEEL, CAST REARREAR	1	HI TECH SILVER
2	90560-20373-00	. SPACER	1	
3	93306-30417-00	. BEARING (B6304ZZ)	1	
4	93306-30437-00	. BEARING	1	
5	3YA-2517G-00-00	. ROTOR, SENSOR	1	
6	90159-05155-00	. SCREW, WITH WASHER	3	
7	93106-30029-00	OIL SEAL	1	
8	93210-65752-00	O-RING	1	
9	2GH-25364-00-00	DAMPER	5	
10	94115-165X7-00	150/80V16V250K275D (150/80V16-V250 K275)	1	DUNLOP
11	93900-00030-00	VALVE, RIM	1	
12	29L-25398-00-00	BALANCER, WHEEL (10G)	1	UN
	29L-25398-10-00	BALANCER, WHEEL (20G)	1	UN
	29L-25398-20-00	BALANCER, WHEEL (30G)	1	UN
13	36Y-25366-01-00	CLUTCH, HUB	1	
14	93306-30562-00	BEARING	1	
15	93106-35030-00	OIL SEAL	1	
16	36Y-25377-00-00	COLLAR, WHEEL	1	
17	1TX-25440-20-00	SPROCKET, DRIVN 40T	1	
18	90116-10485-00	BOLT, STUD	6	
19	95601-10200-00	NUT, SELF-LOCKING	6	
20	94580-94110-00	D1D50ZL-110LFJ12 0	1	
21	3HE-22174-00-00	END 1	2	
22	3XW-25388-00-00	PULLER, CHAIN 1	2	
23	92990-08200-00	WASHER, PLAIN	2	
24	95333-08600-00	NUT	4	
25	3YA-25371-00-00	BAR, TENSION	1	
26	90105-08321-00	BOLT, WASHER BASED	2	

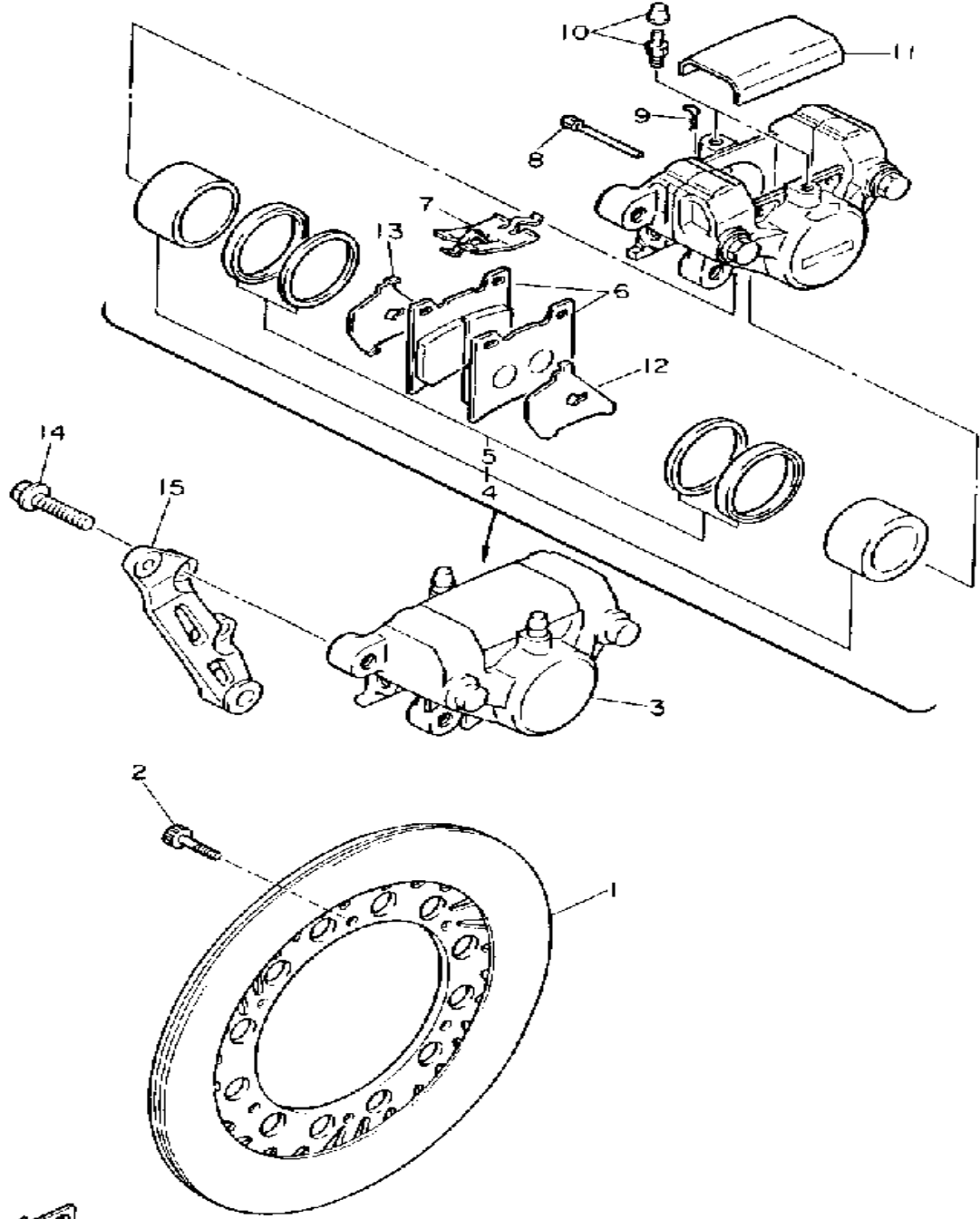
CONTINUED ON NEXT FRAME ►

REAR WHEEL



Ref. No.	Part Number	Description	Qty	Remarks
27	91490-20020-00	PIN, COTTER	2	
28	95701-08500-00	NUT, FLANGE	2	
29	3YA-2537A-00-WG	HOUSING, SENSOR RRREAR	1	HI TECH SILVER
30	36Y-25381-00-00	AXLE, WHEEL	1	
31	90387-203X0-00	COLLAR	1	
32	90387-202X9-00	COLLAR	1	
33	90201-200P6-00	WASHER, PLATE	1	
34	90201-180P5-00	WASHER, PLATE	1	
35	90171-18043-00	NUT, CASTLE	1	
36	91401-40040-00	PIN, COTTER	1	

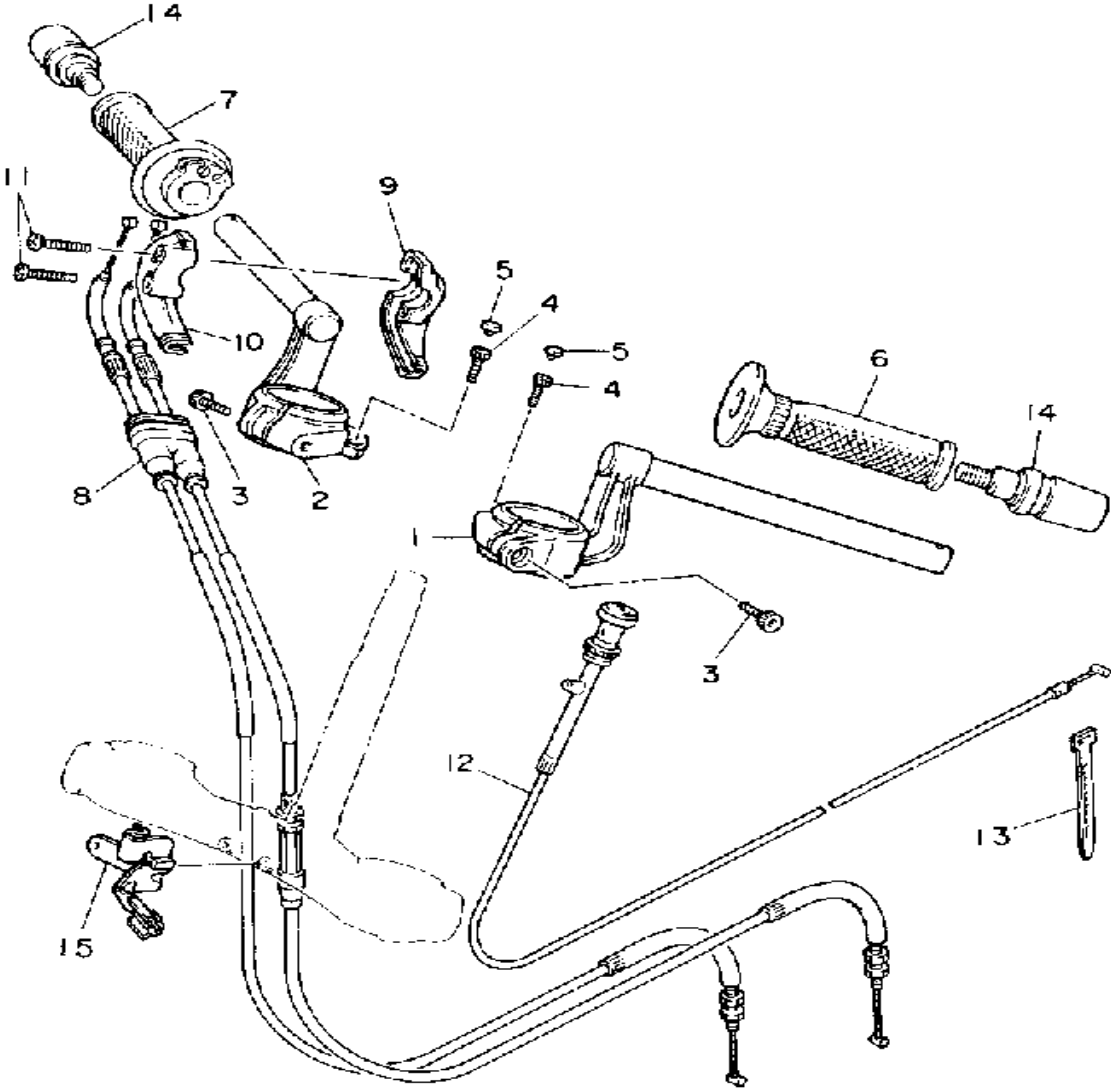
REAR BRAKE CALIPER



Ref. No.	Part Number	Description	Qty	Remarks
1	36Y-25831-00-00	DISC, BRAKE RH	1	YAMAHA
2	90109-08718-00	BOLT	6	
3	3XW-2580W-00-00	CALIPER ASSEMBLY REA 2	1	
4	31A-W0057-00-00	. PISTON ASSEMBLY, CALIPER	1	
5	31A-W0047-00-00	. . CALIPER SEAL KIT	1	
6	1FK-W0046-01-00	. BRAKE PAD KIT 2	1	
7	26H-25919-00-00	. SUPPORT, PAD	1	
8	3HE-25924-00-00	. PIN, PAD	2	
9	3HE-25925-00-00	. CLIP	2	
10	1J3-W0048-00-00	. BLEED SCREW KIT	2	
11	41Y-25836-00-00	. COVER, DUST	1	
12	1FK-25827-00-00	. SHIM, CALIPER	1	
13	1FK-25828-00-00	. SHIM, CALIPER	1	
14	90105-10638-00	BOLT, WASHER BASED	2	
15	36Y-25819-00-00	BRACKET, CALIPER	1	

3CV131C 8310

HANDLEBAR - CABLE

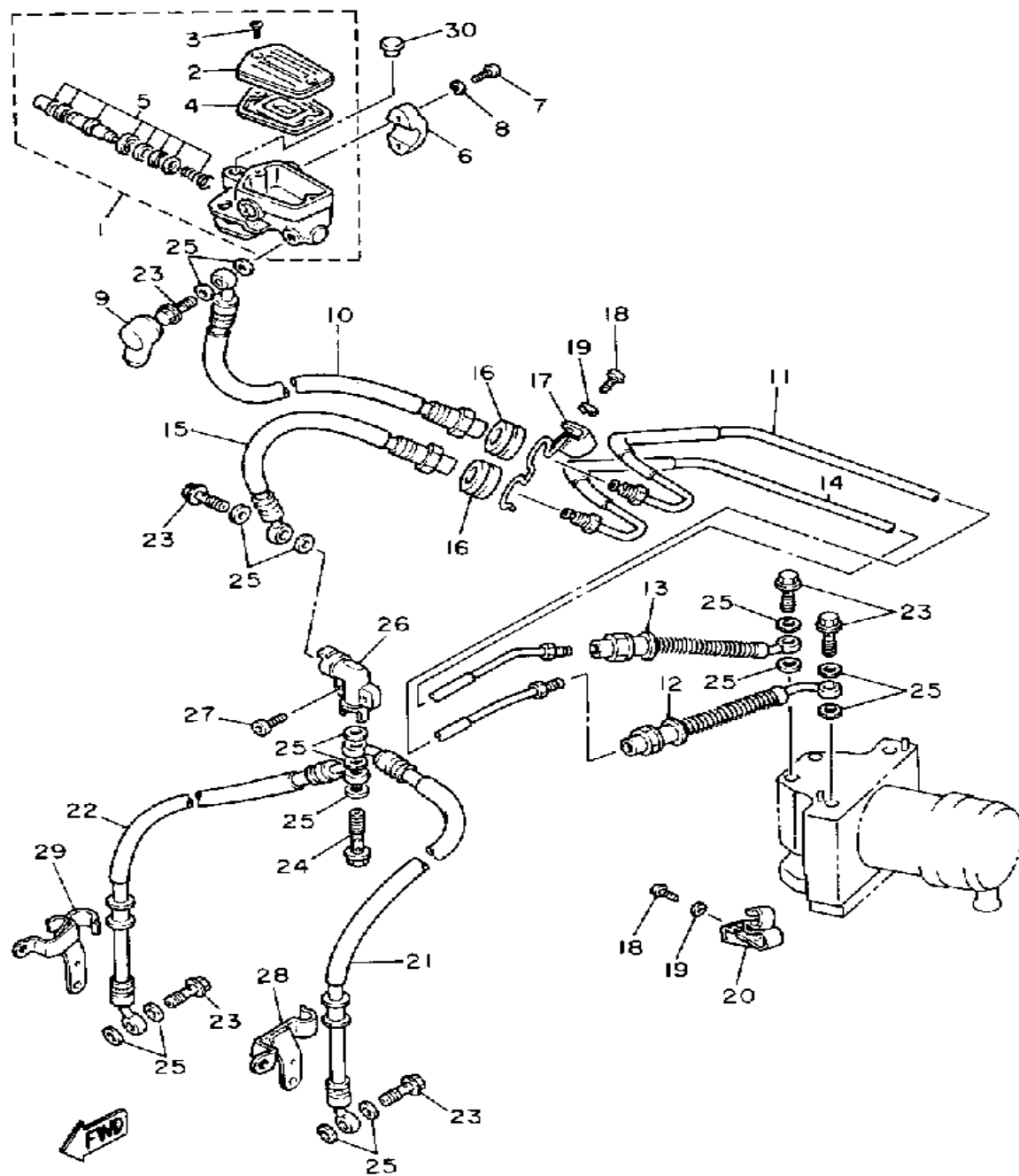


Ref. No.	Part Number	Description	Qty	Remarks
1	3XW-26121-00-00	HANDLEBAR LH	1	
2	3XW-26122-00-00	HANDLEBAR RH	1	
3	91316-08030-00	BOLT, SOCKET HEAD	2	
4	91316-06014-00	BOLT, SOCKET HEAD	2	
5	2H9-23469-00-00	CAP, BOLT	2	
6	31A-26241-00-00	GRIP (LEFT)	1	
7	36Y-26240-00-00	GRIP ASSEMBLY	1	
8	3XW-26302-00-00	THROTTLE CABLE ASSEMBLY	1	
9	3XW-26281-01-00	CAP, GRIP UPPER	1	
10	3XW-26282-01-00	CAP, GRIP LOWER	1	
11	98506-05035-00	SCREW, PAN HEAD	2	
12	1TX-26330-00-00	STARTER CABLE ASSEMBLY	1	
13	90464-13073-00	CLAMP	2	
14	36Y-26246-00-00	END, GRIP	2	
15	3YA-21343-00-00	BRACKET, HORN	1	



3YA2332-1320

FRONT MASTER CYLINDER

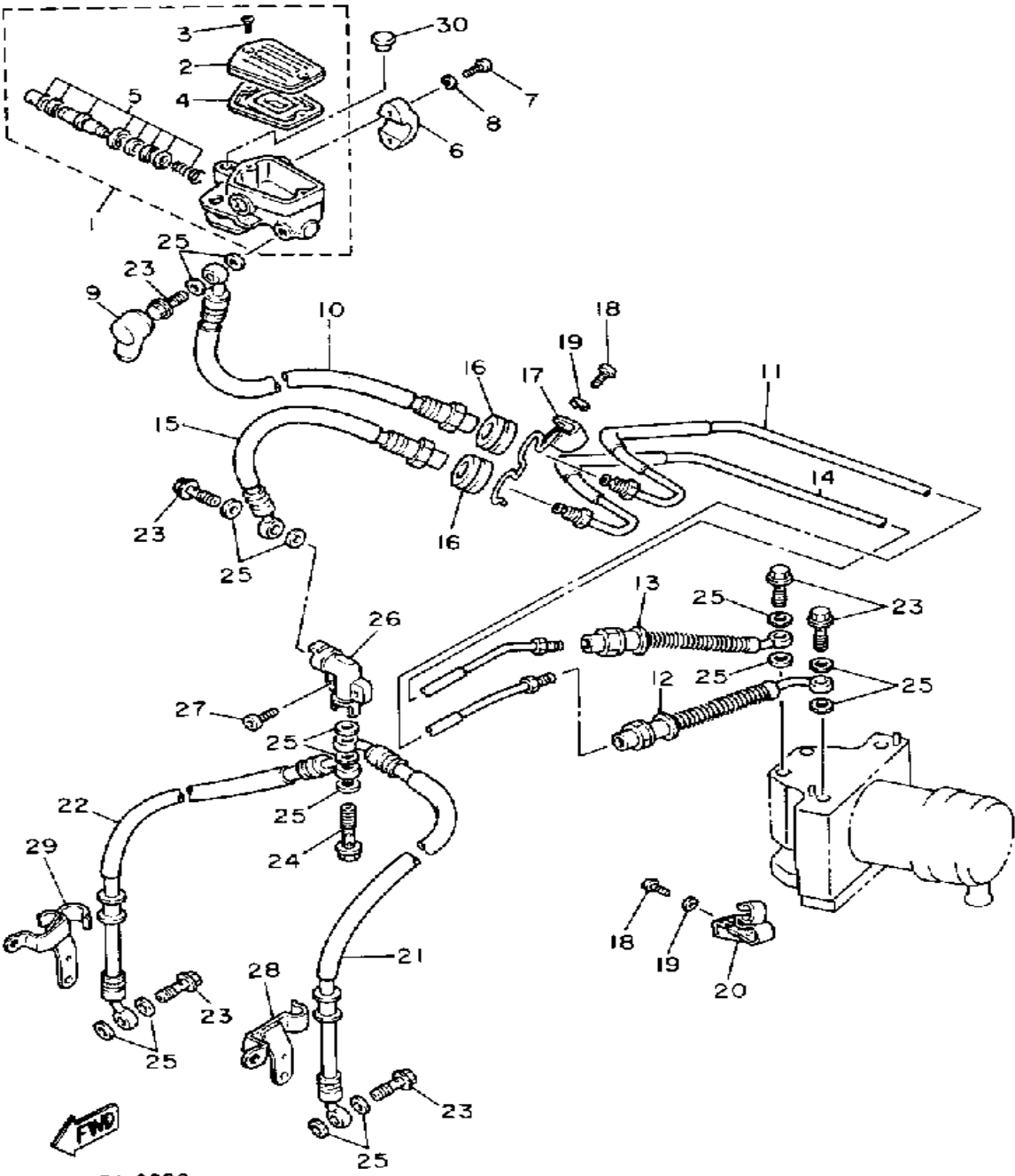


4CR171-2330

Ref. No.	Part Number	Description	Qty	Remarks
1	36Y-25850-01-00	MASTER CYLINDER ASSEMBLY	1	
2	36Y-25852-01-00	. CAP, RESERVOIR	1	
3	98706-04012-00	. SCREW, FLAT HEAD	2	
4	36Y-25854-00-00	. DIAPHRAGM, RESERVOIR	1	
5	36Y-W0041-00-00	. CYLINDER KIT, MASTER	1	
6	36Y-25867-00-00	BRACKET, MASTER CYLINDER	1	
7	91316-06025-00	BOLT	2	
8	92906-06100-00	WASHER, SPRING	2	
9	4L0-25862-00-00	BOOT, MASTER CYLINDER	1	
10	3YA-25872-00-00	HOSE, BRAKE 1	1	
11	3YA-25871-00-00	PIPE, BRAKE	1	
12	3YA-25874-00-00	HOSE, BRAKE	1	
13	3YA-2581J-00-00	HOSE, BRAKE 4	1	
14	3YA-25882-00-00	PIPE, BRAKE 2	1	
15	3YA-2581K-00-00	HOSE, BRAKE 5	1	
16	341-25881-00-00	PROTECTOR, BRAKE HOSE	2	
17	3YA-25886-00-00	HOLDER, BRAKE HOSE	1	UR
	4CR-25886-00-00	HOLDER, BRAKE HOSE	1	UR
18	98580-06010-00	SCREW, PAN HEAD (92503-06010)	2	
19	92995-06100-00	WASHER, SPRING	2	
20	3YA-25887-00-00	HOLDER, BRAKE HOSE	1	
21	3XW-25872-00-00	HOSE, BRAKE 1	1	
22	3XW-25873-00-00	HOSE, BRAKE 2	1	
23	90401-10096-00	BOLT, UNION	6	
24	90401-10095-00	BOLT, UNION	1	
25	90201-10118-00	WASHER, PLATE	15	
26	11U-25885-00-00	JOINT	1	

CONTINUED ON NEXT FRAME ►

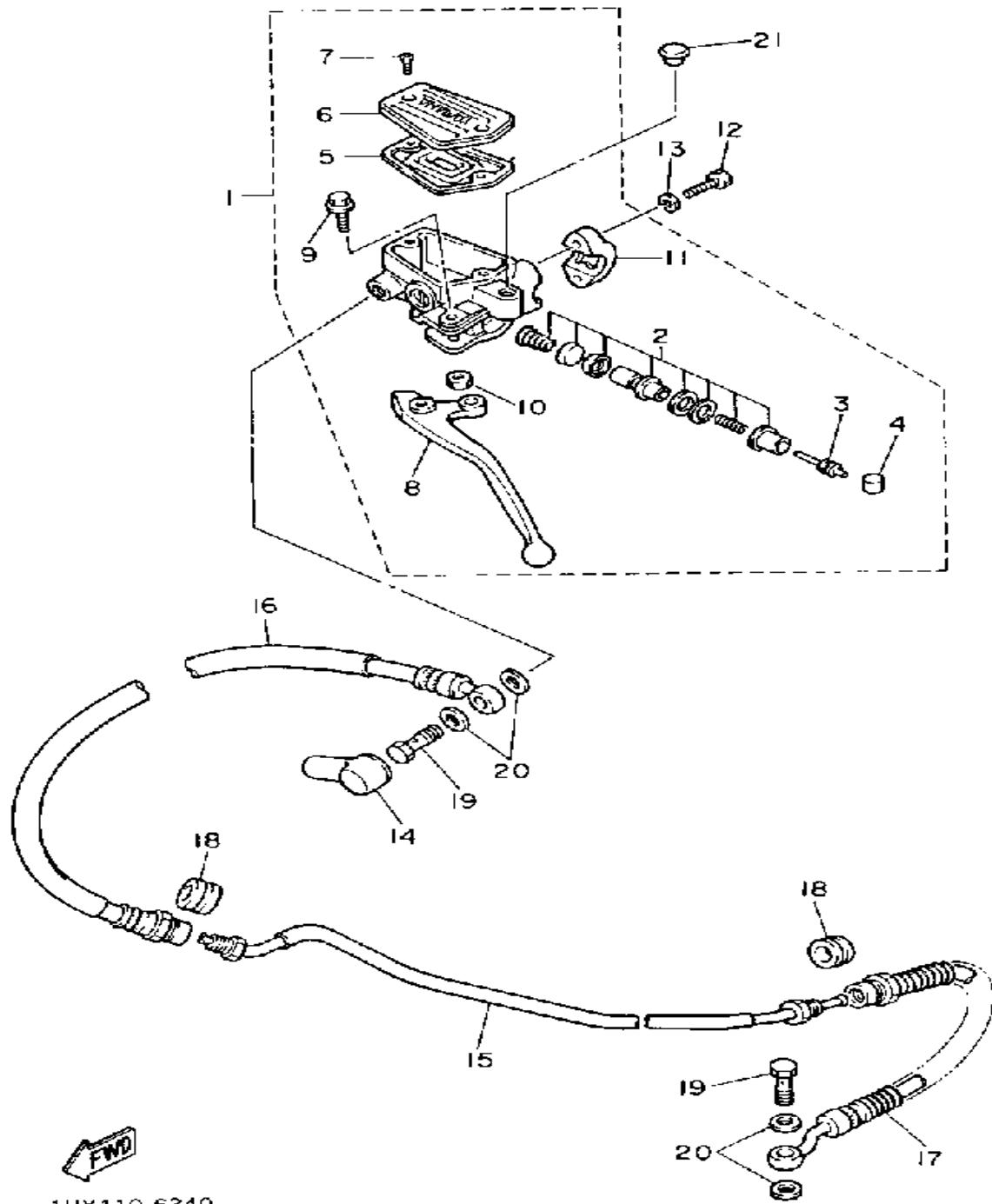
FRONT MASTER CYLINDER



Ref. No.	Part Number	Description	Qty	Remarks
27	91316-06025-00	BOLT	2	
28	3CW-25875-00-00	HOLDER, BRKE HOSE 1	1	
29	3YA-25876-10-00	HOLDER, BRKE HOSE 2	1	
30	90338-09012-00	PLUG	1	

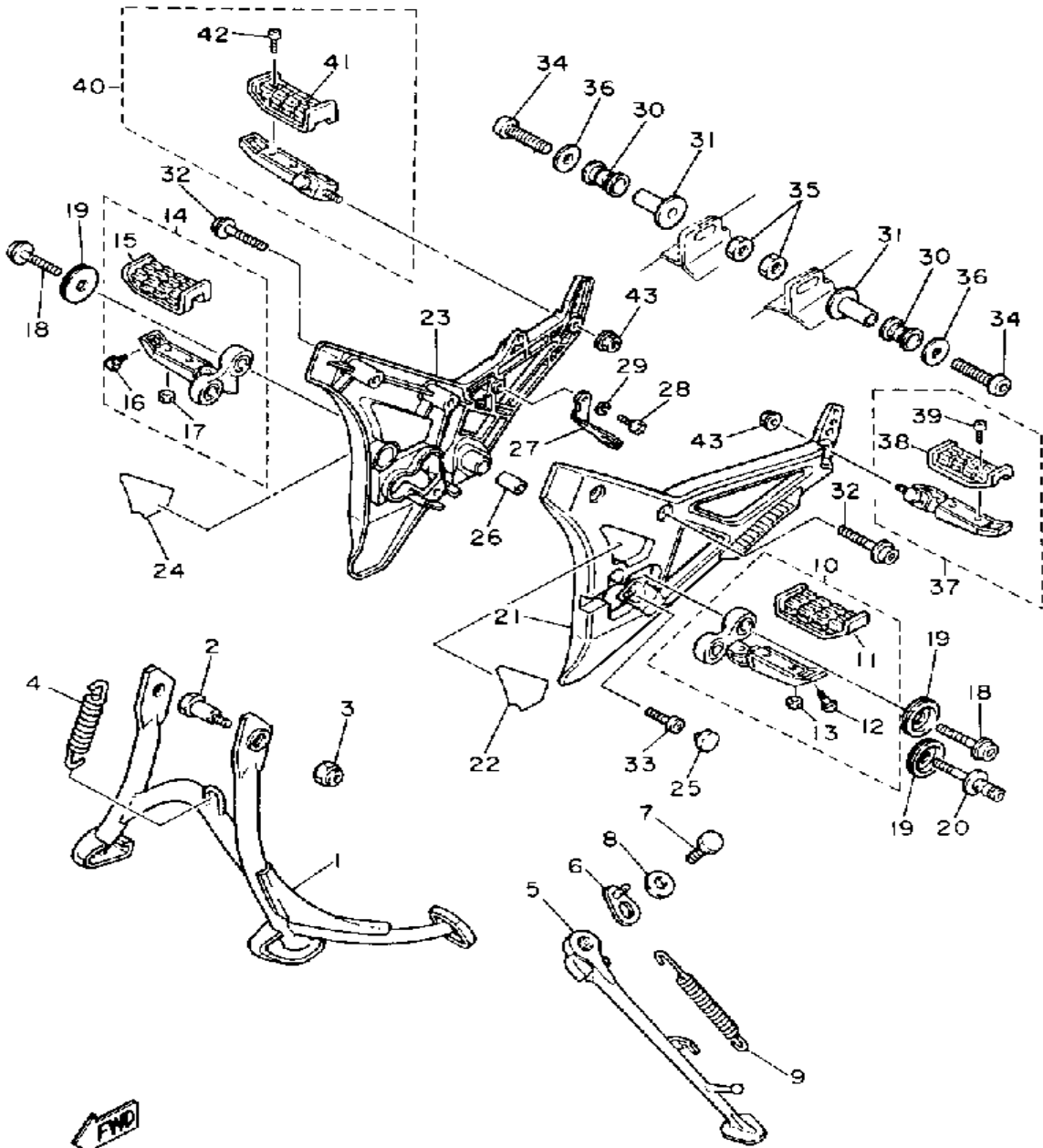
4CR171-2330

FRONT ,MASTER CYLINDER 2



Ref. No.	Part Number	Description	Qty	Remarks
1	2KW-26450-10-00	MASTER CYLINDER. ASSEMBLY ASSEMBLY (CLUTCH)	1	
2	2KW-W0099-00-00	. CYLINDER KIT, MASTER (CLUTCH)	1	
3	26H-26464-00-00	. ROD, PUSH	1	
4	3GM-26455-00-00	. BUSH	1	
5	1AE-26454-00-00	. DIAPHRAGM, RESERVOIR	1	
6	1FK-26452-01-00	. CAP, RESERVOIR	1	
7	98706-04012-00	. SCREW, FLAT HEAD	2	
8	1AE-83912-00-00	. LEVER L	1	
9	90109-067A0-00	. BOLT	1	
10	95616-06100-00	. NUT, U	1	
11	1AE-26467-00-00	. HOLDER	1	
12	91316-06025-00	BOLT	2	
13	92906-06100-00	WASHER, SPRING	2	
14	4L0-25862-00-00	BOOT, MASTER CYLINDER	1	
15	36Y-26471-00-00	PIPE	1	
16	36Y-26472-00-00	HOSE, CLUTCH 1	1	
17	36Y-26473-00-00	HOSE, CLUTCH 2	1	
18	341-25881-00-00	PROTECTOR, BRAKE HOSE	2	
19	90401-10096-00	BOLT, UNION	2	
20	90201-10118-00	WASHER, PLATE	4	
21	90338-09012-00	PLUG	1	

STAND - FOOTREST

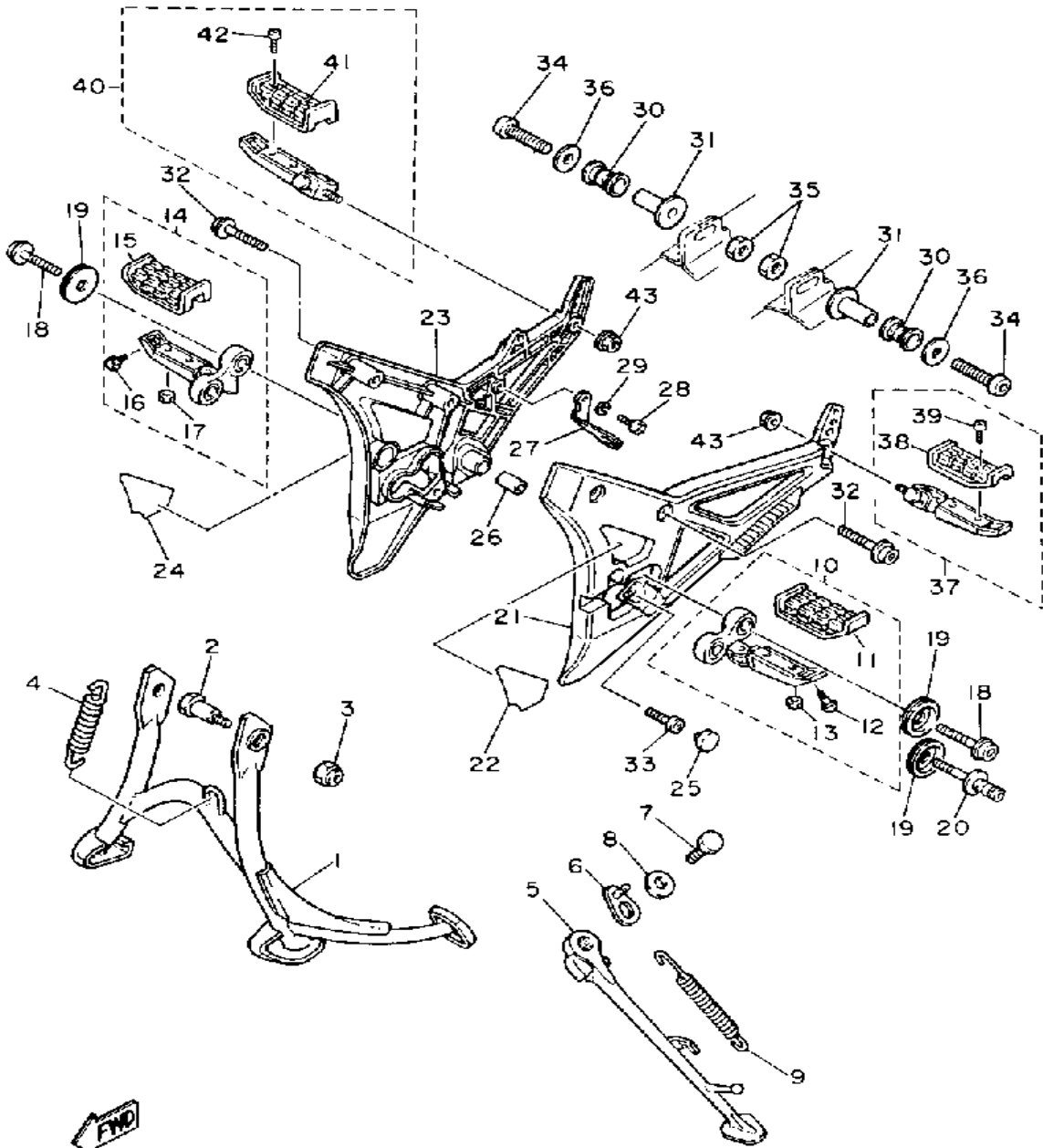


Ref. No.	Part Number	Description	Qty	Remarks
1	36Y-27111-01-33	STAND, MAIN	1	YAMAHA
2	90109-101E6-00	BOLT	2	
3	90185-10091-00	NUT, SELF-LOCKING	2	
4	90506-45278-00	SPRING, TENSION	1	
5	1TX-27311-00-R4	STAND, SIDE	1	BLACK
6	36Y-27352-00-00	HOOK, SIDE STAND	1	
7	90101-08662-00	BOLT	1	
8	90201-081L6-00	WASHER, PLATE	1	
9	90506-29358-00	SPRING, TENSION	1	
10	3CV-27410-00-00	FRT FOOTREST ASSEMBLY LASSEMBLY (LEFT)	1	
11	22N-27413-00-00	. COVER, FOOTREST	1	
12	90109-082A4-00	. BOLT	1	
13	95601-06100-00	. NUT, U	2	
14	3CV-27420-00-00	FRT FOOTREST ASSEMBLY RASSEMBLY (RIGHT)	1	
15	22N-27413-00-00	. COVER, FOOTREST	1	
16	90109-082A4-00	. BOLT	1	
17	95601-06100-00	. NUT, U	2	
18	90109-082A1-00	BOLT	3	
19	90209-08295-00	WASHER	4	
20	90109-086E4-00	BOLT	1	
21	3XW-27442-00-00	BRACKET 2	1	
22	3XW-27445-00-00	PLATE 1	1	
23	3XW-27443-00-00	BRACKET 3	1	
24	3XW-27446-00-00	PLATE 2	1	
25	3XW-27414-00-00	DAMPER, FOOTREST	2	
26	90386-20130-00	BUSH, SPEC'L NYLON	1	
27	3XW-2741L-00-00	BRACKET 4	1	

3YY351-1350

CONTINUED ON NEXT FRAME ►

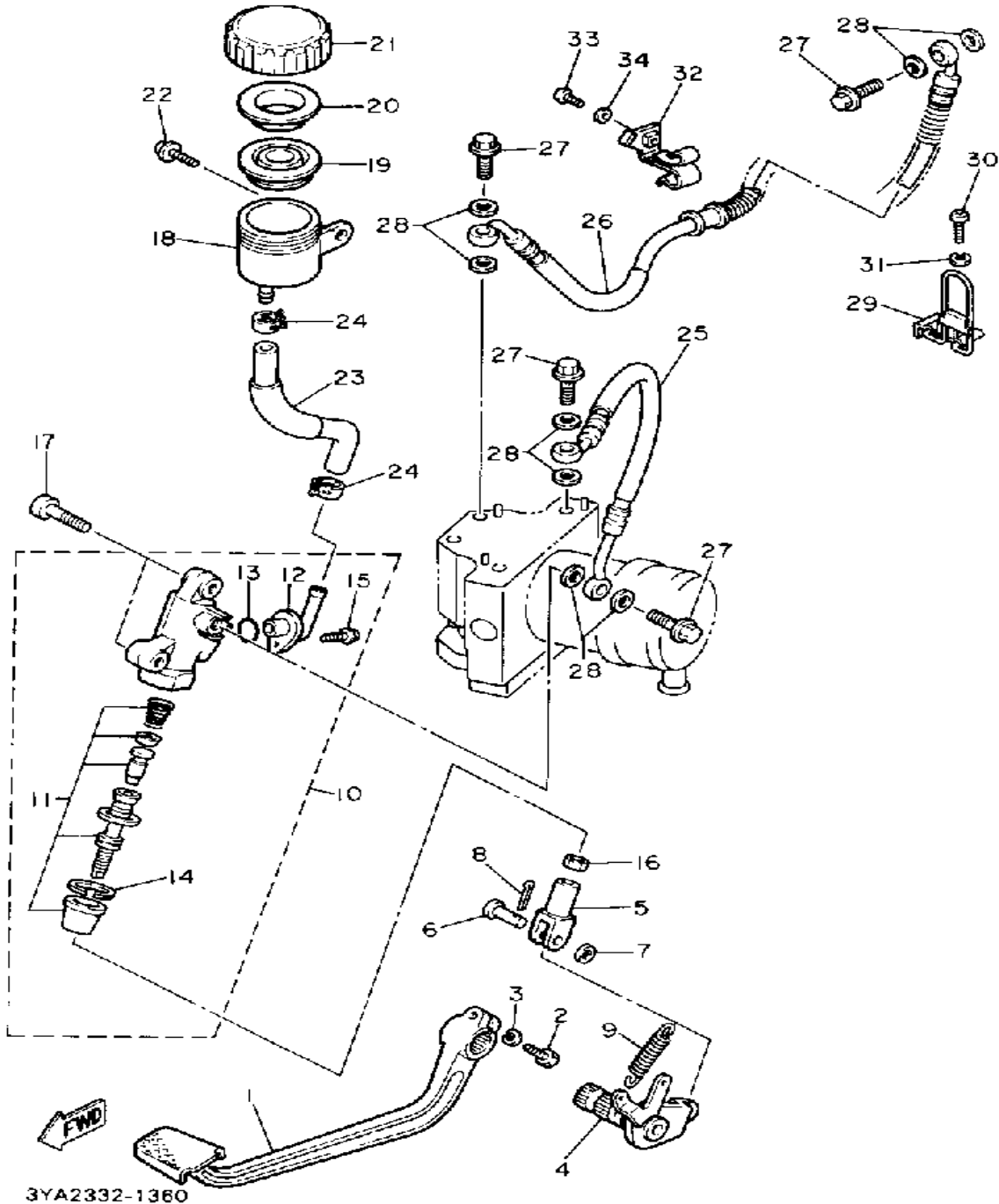
STAND - FOOTREST



Ref. No.	Part Number	Description	Qty	Remarks
28	98580-05012-00	SCREW, PAN HEAD	1	
29	92990-05100-00	WASHER, SPRING	1	
30	36Y-27424-00-00	DAMPER, FOOTREST 2	2	
31	90387-104L8-00	COLLAR	2	
32	90109-082A1-00	BOLT	4	
33	90110-08096-00	BOLT, HEXAGON SOCKET HEAD	2	
34	92011-10040-00	BOLT, BUTTON HEAD	2	
35	90179-10276-00	NUT, SPEC'L SHAPE	2	
36	90201-10669-00	WASHER, PLATE	2	
37	29L-27430-00-00	RR FOOTREST ASSEMBLY 1	1	
38	22N-27433-00-00	. COVER, RR FOOTREST	1	
39	98506-05010-00	. SCREW, PAN HEAD	2	
40	29L-27440-00-00	RR FOOTREST ASSEMBLY 2	1	
41	22N-27433-00-00	. COVER, RR FOOTREST	1	
42	98506-05010-00	. SCREW, PAN HEAD	2	
43	95701-10500-00	NUT, FLANGE (95702-10500)	2	

3YY351-1350

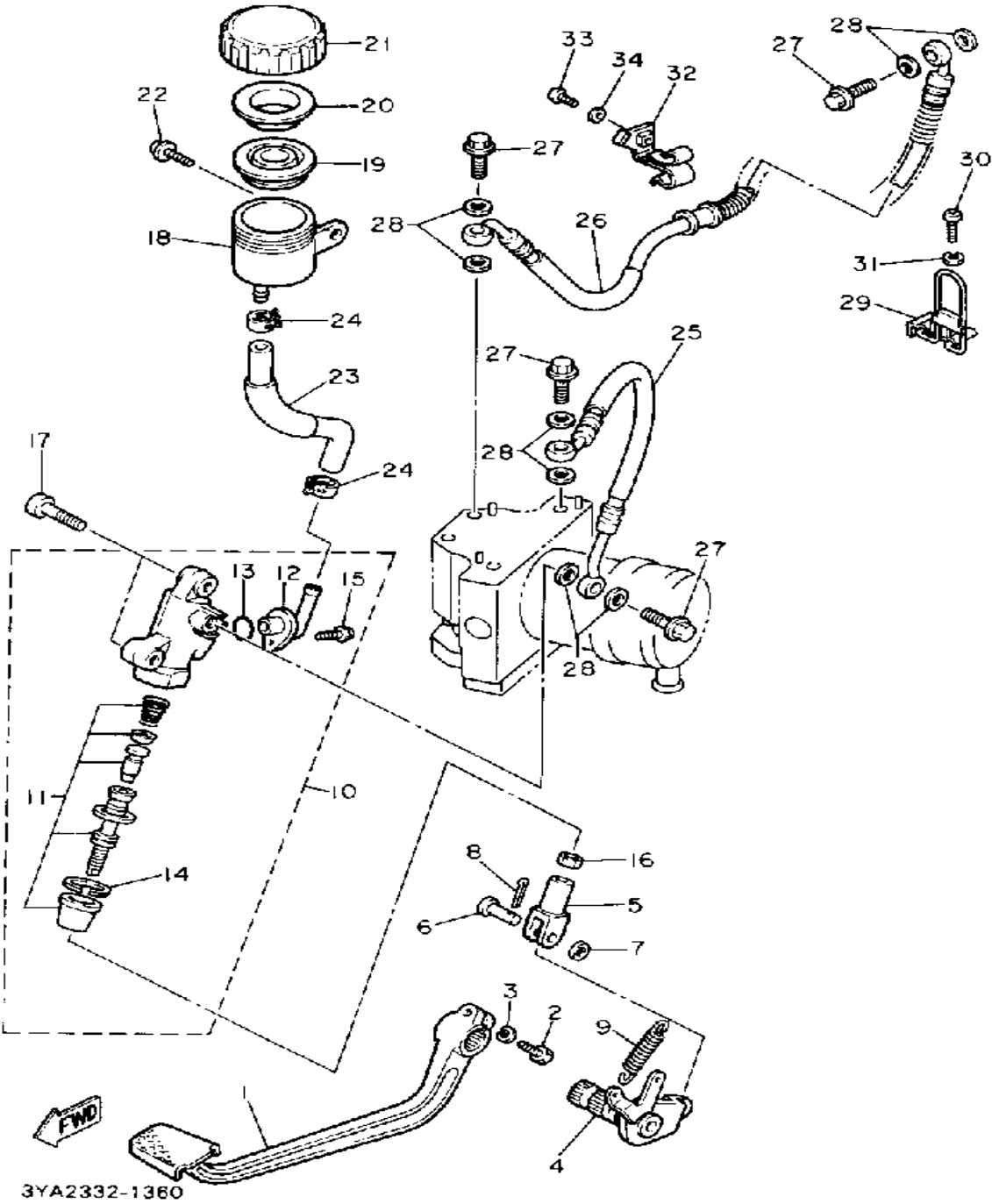
REAR MASTER CYLINDER



Ref. No.	Part Number	Description	Qty	Remarks
1	3XW-27211-00-00	PEDAL, BRAKE	1	
2	90109-06468-00	BOLT	1	
3	92995-06100-00	WASHER, SPRING	1	
4	3XW-27212-00-00	SHAFT, BRAKE PEDAL	1	
5	31A-27222-00-00	JOINT	1	
6	90240-08013-00	PIN, CLEVIS	1	
7	90201-08083-00	WASHER, PLATE	1	
8	91490-20020-00	PIN, COTTER	1	
9	90506-20192-00	SPRING, TENSION	1	
10	3YA-2583V-00-00	RR MSTR CYLINDERASSEMBLY.	1	
11	3YA-W0042-00-00	. CYLINDER KIT, MASTER	1	
12	3LN-2582A-00-00	. JOINT	1	
13	3LN-2585F-00-00	. O-RING	1	
14	3LN-2585G-00-00	. CIRCLIP	1	
15	3LN-2585H-00-00	. SCREW, SET	1	
16	95303-08700-00	NUT	1	
17	95023-08025-00	BOLT	2	
18	31A-25894-01-00	TANK, RESERVOIR	1	
19	360-25854-00-00	DIAPHRAGM, RESERVOIR	1	
20	2GU-25855-00-00	BUSH, DIAPHRAGM	1	
21	2KF-25852-50-00	CAP, RESERVOIR	1	
22	90159-06056-00	SCREW, WITH WASHER	1	
23	3YA-25895-00-00	HOSE, RESERVOIR	1	
24	90467-14057-00	CLIP	2	
25	3YA-2582J-00-00	HOSE, BRAKE 6	1	
26	3YA-2582K-00-00	HOSE, BRAKE 7	1	
27	90401-10096-00	BOLT, UNION	4	
28	90201-10118-00	WASHER, PLATE	8	

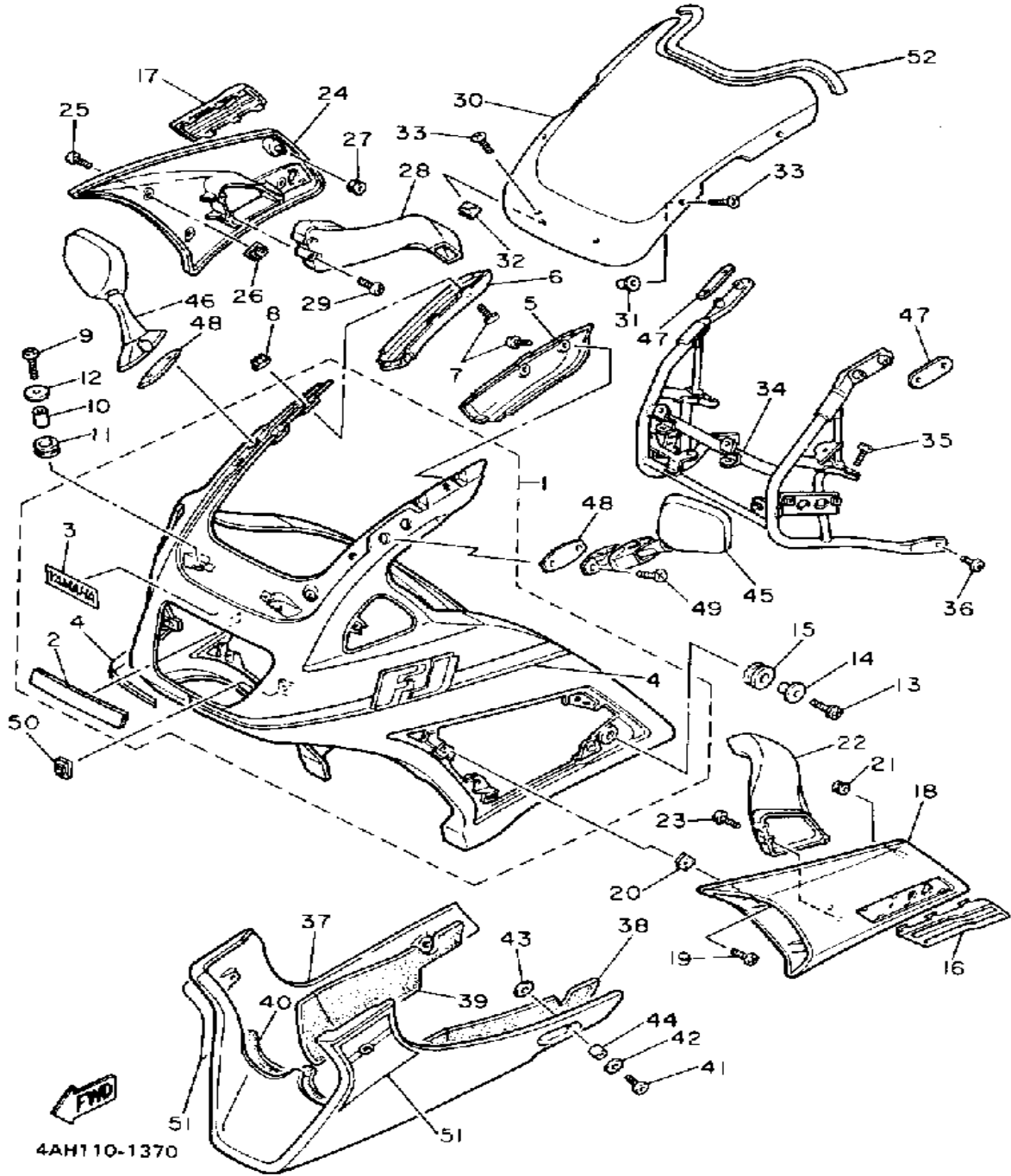
CONTINUED ON NEXT FRAME ►

REAR MASTER CYLINDER



Ref. No.	Part Number	Description	Qty	Remarks
29	1TX-25875-51-00	HOLDER, BRAKE HOS 1	1	
30	98580-06012-00	SCREW, PAN HEAD	1	
31	92995-06100-00	WASHER, SPRING	1	
32	3YA-25875-00-00	HOLDER, BRKE HOSE 1	1	
33	98516-06012-00	SCREW, PAN HEAD	1	
34	92906-06600-00	WASHER	1	

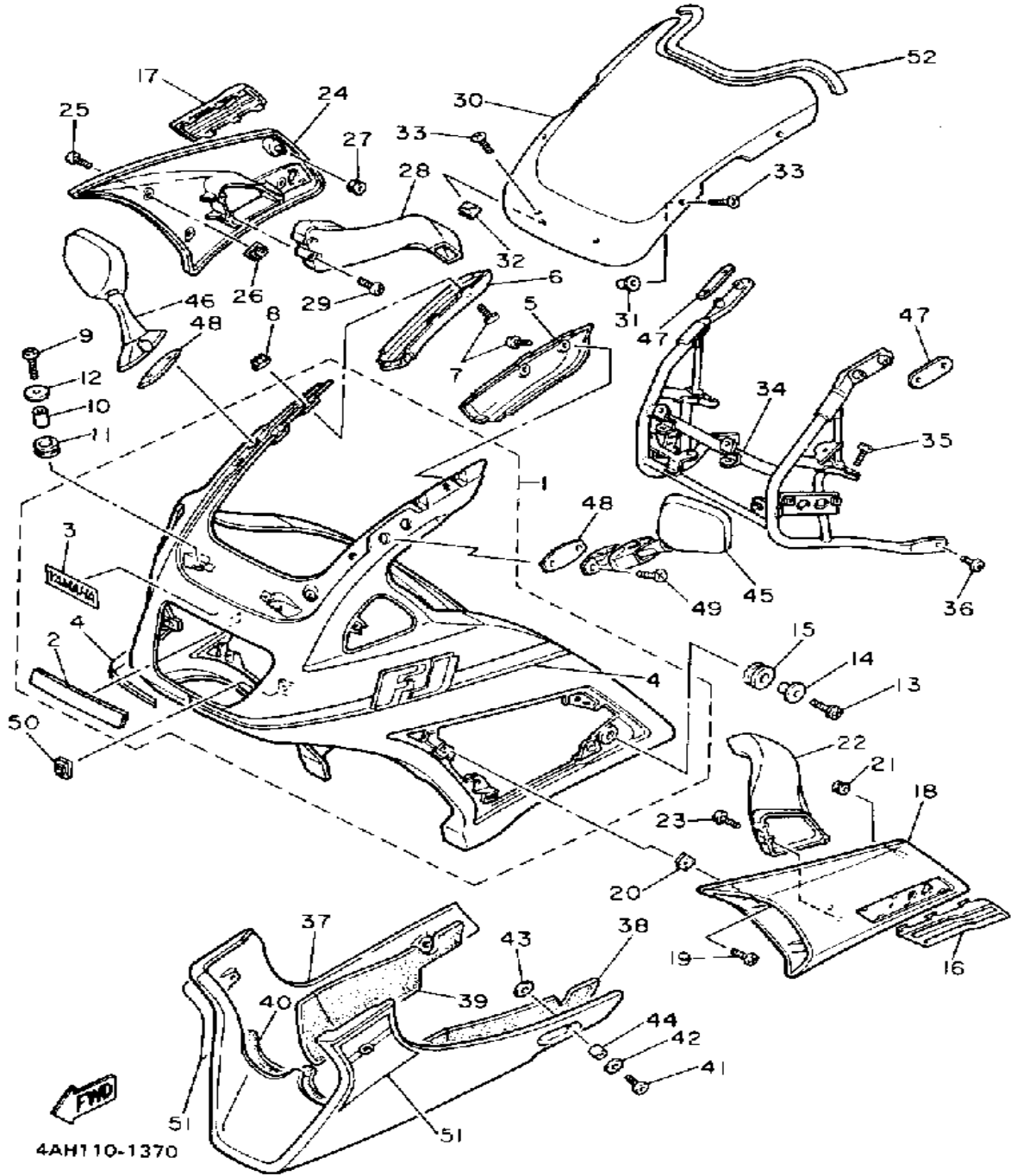
COWLING 1



Ref. No.	Part Number	Description	Qty	Remarks
1	3XW-W2834-20-2X	BODY, COWLING	1	MARBLE
2	3CV-2834F-00-00	. DAMPER (R.H)	1	
3	99224-00025-00	. EMBLEM, YAMAHA	1	
4	3XW-28390-20-00	. GRPHC SET, COWLING	1	
5	3XW-2836M-00-00	PANEL, INNER 3	1	
6	3XW-2836N-00-00	PANEL, INNER 4	1	
7	98906-05012-00	SCREW, BIND	4	
8	95706-05500-00	NUT, FLANGE	4	
9	98516-06020-00	SCREW, PAN HEAD	2	
10	90387-060A7-00	COLLAR	2	
11	90480-16233-00	GROMMET	2	
12	90201-06697-00	WASHER, PLATE	2	
13	90159-06085-00	SCREW, WITH WASHER	4	
14	90387-093H1-00	COLLAR (46Y)	4	
15	90480-18488-00	GROMMET	4	
16	3CV-2832M-00-00	PROTECTOR 1	1	
17	3CV-2832N-00-00	PROTECTOR 2	1	
18	3XW-2837N-00-P1	GRILL, AIR INTAKE 1	1	DARK
19	90154-05013-00	SCREW, BINDING	3	
20	90183-05024-00	NUT, SPRING	3	
21	90480-13398-00	GROMMET	1	
22	36Y-2838N-00-00	DUCT 1	1	
23	97702-40012-00	SCREW, TAPPING	3	
24	3XW-2837R-00-P1	GRILL, AIR INTAKE 2	1	DARK
25	90154-05013-00	SCREW, BINDING	3	
26	90183-05024-00	NUT, SPRING	3	
27	90480-13398-00	GROMMET	1	
28	36Y-2838R-00-00	DUCT 2	1	
29	97702-40012-00	SCREW, TAPPING	3	

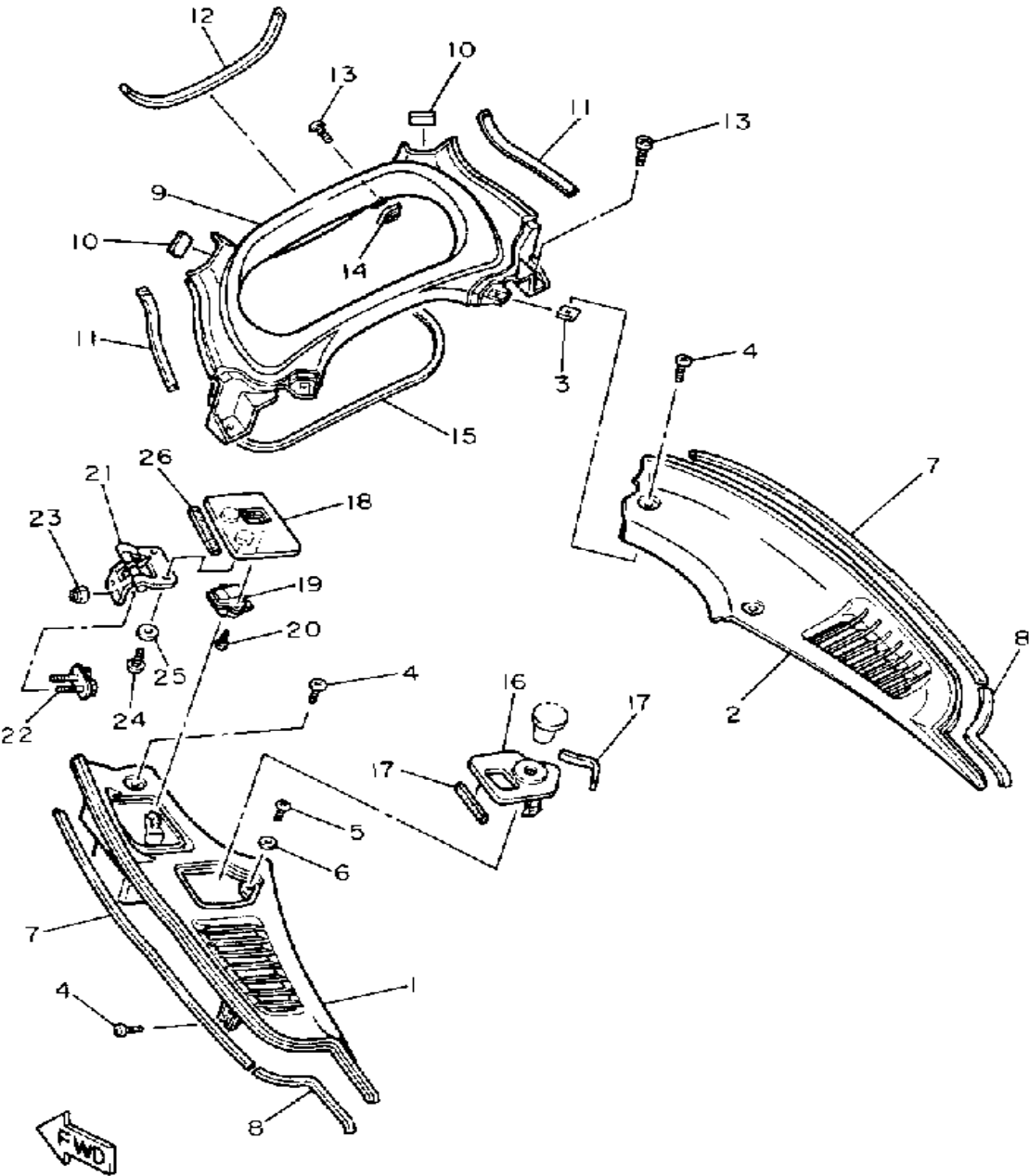
CONTINUED ON NEXT FRAME ➤

COWLING 1



Ref. No.	Part Number	Description	Qty	Remarks
30	4AH-28381-00-00	WINDSHIELD	1	
31	90179-05523-00	NUT	4	
32	90183-05024-00	NUT, SPRING	2	
33	90150-05023-00	SCREW, ROUND HEAD	6	
34	4CR-28359-00-00	STAY 2	1	
35	95811-08016-00	BOLT, FLANGE	2	
36	95811-08012-00	BOLT, FLANGE	2	
37	1TX-28385-00-0L	COVER, LOWER	1	MARBLE
38	1TX-2848K-01-00	SEAT 2	1	
39	1TX-2848L-01-00	SEAT 3	1	
40	1TX-2848M-00-00	SEAT 4	1	
41	90110-06202-00	BOLT, HEXAGON SOCKET HEAD	4	
42	90202-06170-00	WASHER, PLATE	4	
43	90202-11161-00	WASHER, PLATE	4	
44	90387-064W1-00	COLLAR (90387-066J9)	4	
45	3XW-26280-00-00	MIRROR ASSEMBLY (LEFT)	1	
46	3XW-26290-00-00	MIRROR ASSEMBLY (RIGHT)	1	
47	3XW-26298-00-00	PLATE, MIRROR FIT	2	
48	3CV-26299-00-00	PLATE, MIRROR FITNG	2	
49	98706-06020-00	SCREW, FLAT HEAD	4	
50	36Y-28363-00-00	NUT	2	
51	3XW-28301-20-00	GRAPHIC SET, LWR CVRCOVER 1	1	
52	36Y-28348-00-00	MOLE 4	1	

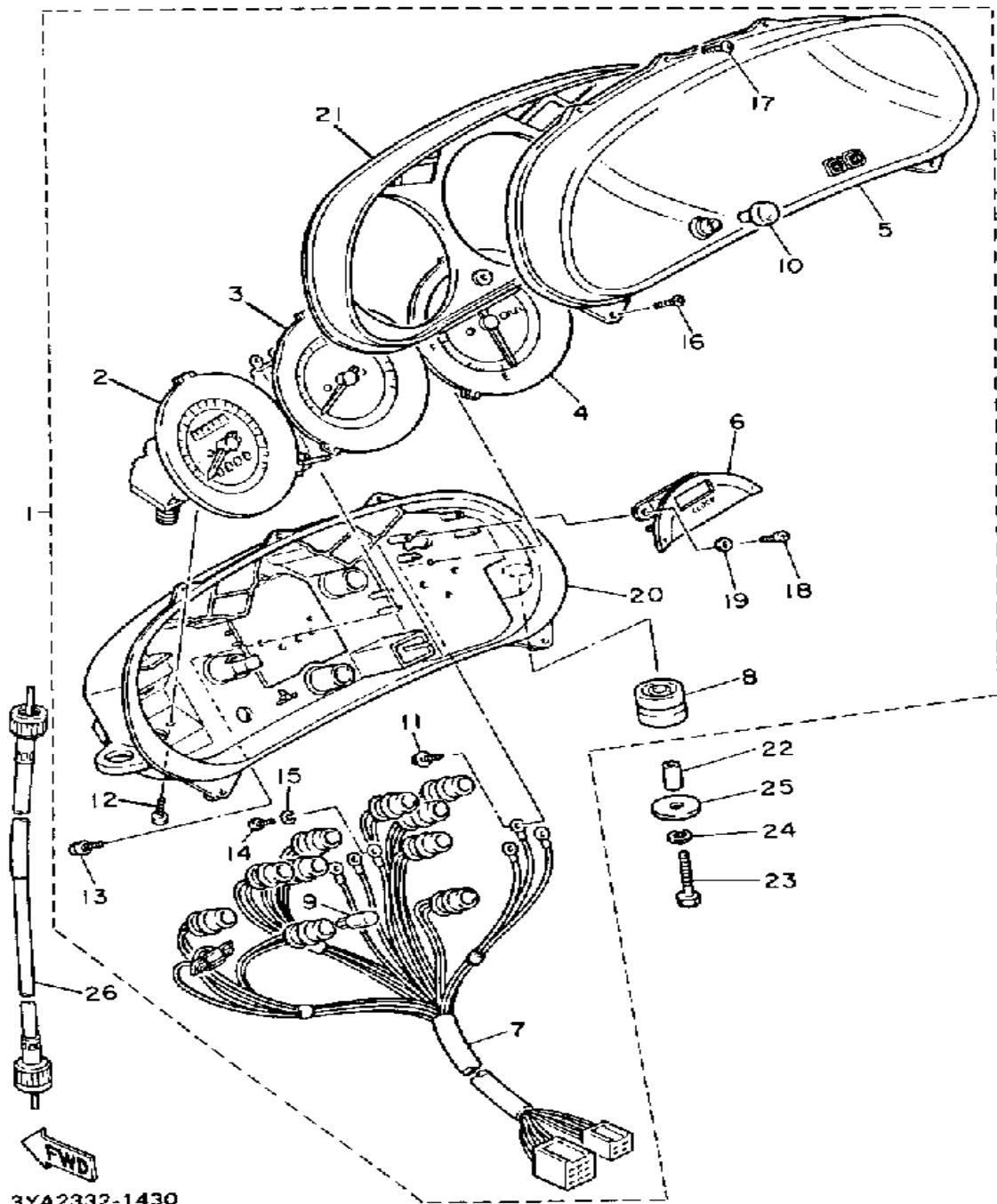
COWLING 2



3YA332-1380

Ref. No.	Part Number	Description	Qty	Remarks
1	3XW-2836K-00-00	PANEL, INNER 1	1	
2	3XW-2836L-00-00	PANEL, INNER 2	1	
3	90183-05024-00	NUT, SPRING	4	
4	90154-05013-00	SCREW, BINDING	5	
5	98516-05012-00	SCREW, PAN HEAD 4CG	1	
6	92906-05600-00	WASHER, PLATE	1	
7	1NL-2844U-00-00	MOULDING 0	2	
8	3CV-28345-00-00	MOLD 1	2	
9	3XW-2836R-00-00	PANEL, INNER 5	1	
10	51Y-21639-00-00	DAMPER 2	2	
11	3CV-28345-00-00	MOLD 1	2	
12	3XW-2834H-00-00	MOLD 6	1	
13	90154-05013-00	SCREW, BINDING	4	
14	90183-05024-00	NUT, SPRING	4	
15	36Y-28348-00-00	MOLE 4	1	
16	1TX-28365-00-00	COVER	1	
17	1TX-28227-00-00	DAMPER 2	2	
18	3CV-2839K-00-00	LID 1	1	
19	1HX-21780-00-00	LOCK ASSEMBLY	1	
20	97706-40510-00	SCREW, TAPPING	2	
21	3CV-2849E-00-00	HINGE 4	1	
22	3CV-2836A-00-00	BRACKET 1	1	
23	95606-05200-00	NUT, U	2	
24	97706-50510-00	SCREW, TAPPING	2	
25	92906-05200-00	WASHER, PLAIN	2	
26	3CV-28372-00-00	DAMPER	1	

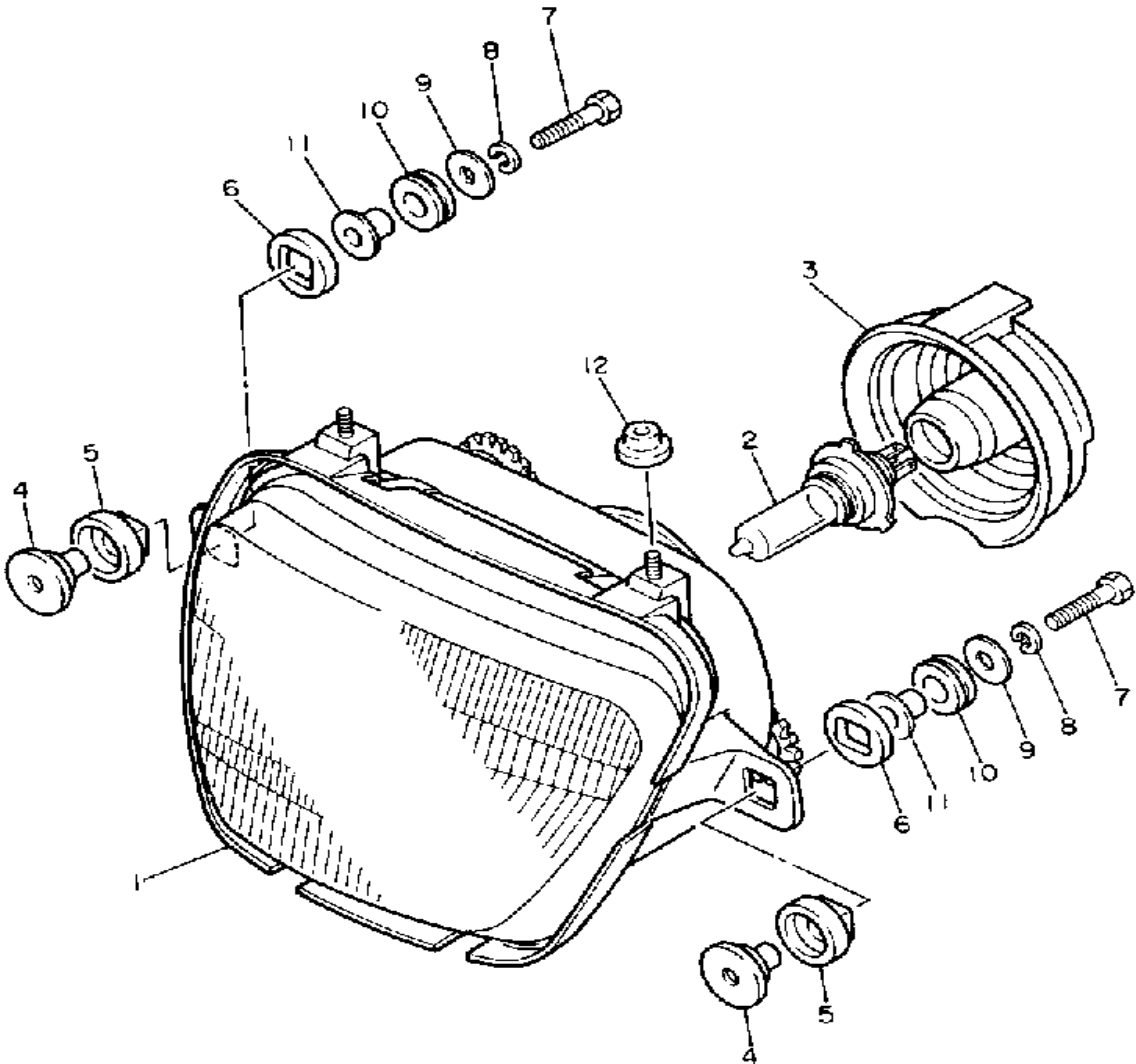
METER



Ref. No.	Part Number	Description	Qty	Remarks
1	4CR-83500-00-00	SPEEDOMETER ASSEMBLY ..	1	
2	1WJ-83570-A0-00	. SPEEDOMETER ASSEMBLY .	1	
3	1TX-83540-00-00	. TACHOMETER ASSEMBLY ..	1	
4	1TX-83511-00-00 1TX-85750-00-00	. LENS, SPEEDOMETER FUEL METER ASSEMBLY ...	1 1	
6	1TX-83740-00-00	. DIGITAL CLOCK ASSEMBLY .	1	
7	3YA-83509-00-00	. SOCKET CORD ASSEMBLY .	1	
8	36Y-83523-00-00	. DAMPER	2	
9	4G1-84744-00-00	. BULB, MTR.12V3.4W	10	
10	29L-83578-00-00	. KNOB, TRIP METER	1	
11	90159-03102-00	. SCREW, WITH WASHER	3	
12	90167-04021-00	. SCREW, TAPPING	2	
13	90167-04057-00	. SCREW, TAPPING	2	
14	98580-03010-00	. SCREW, PAN HEAD (98502-03010)	3	
15	92990-03100-00	. WASHER, SPRING (92901-03100)	3	
16	90164-04005-00	. SCREW, TAPPING	2	
17	97780-30120-00	. SCREW, PANHEAD TAP	3	
18	4H7-83616-00-00	. SCREW, TAPPING	2	
19	1TX-83524-00-00	. WASHER, SPECIAL	2	
20	3YA-8353H-00-00	. CASE, INNER	1	
21	3YA-83612-00-00	. COVER, METER PANEL	1	
22	90387-060J4-00	COLLAR	2	
23	97021-06030-00	BOLT	2	
24	92995-06100-00	WASHER, SPRING	2	
25	90201-060A3-00	WASHER, PLATE	2	
26	34X-83550-01-00	SPEEDOMETER CABLE ASSEMBLY	1	

3YA2332-1430

HEADLIGHT



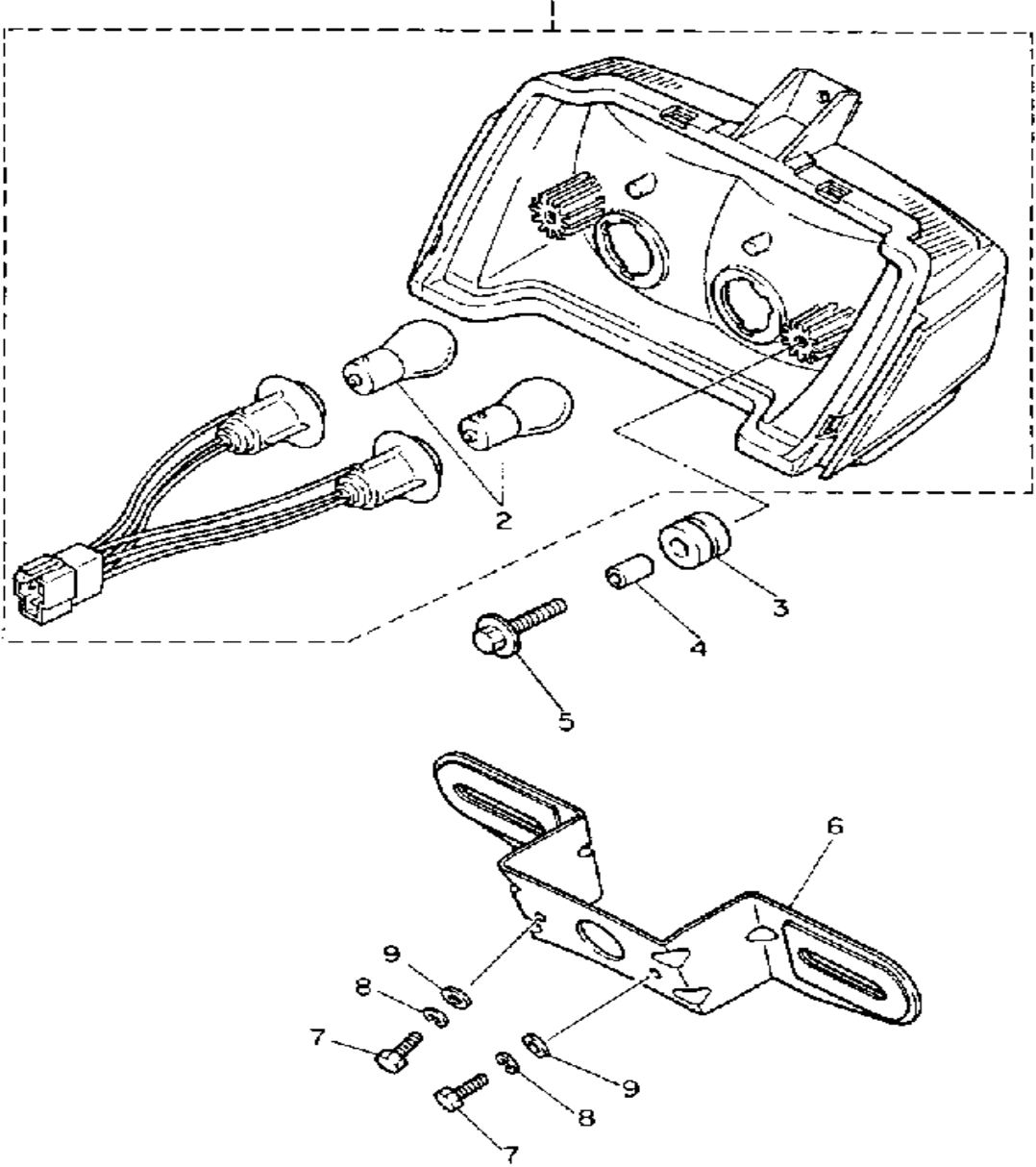
Ref. No.	Part Number	Description	Qty	Remarks
1	4AH-84320-00-00	LENS ASSEMBLY	1	
2	5V2-84314-00-XX	BULB, HL 12V60/55W (2F9-84314-00)	1	HALOGEN
3	36Y-84397-00-00	COVER, SOCKET	1	
4	498-84145-60-00	COLLAR, BODY FITTING	2	
5	498-84163-60-00	DAMPER	2	
6	498-84164-60-00	DAMPER	2	
7	97001-08050-00	BOLT	2	
8	92990-08100-00	WASHER	2	
9	90201-08753-00	WASHER, PLATE	2	
10	90480-20338-00	GROMMET	2	
11	90387-081F5-00	COLLAR	2	
12	36Y-84354-00-00	GROMMET	2	



4AH110-1440

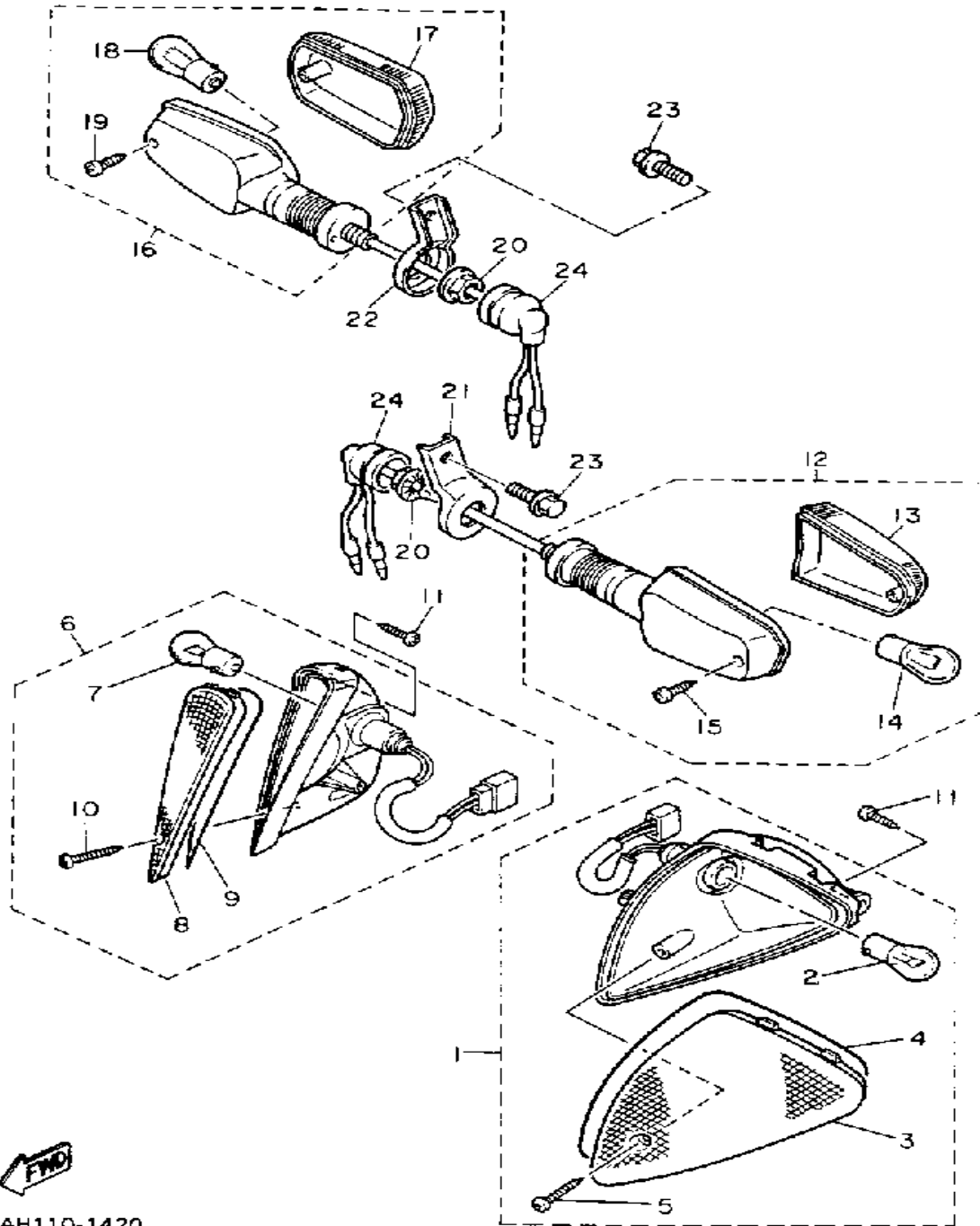
TAILLIGHT

Ref. No.	Part Number	Description	Qty	Remarks
1	47M-84710-60-00	TAILLIGHT UNIT ASSEMBLY ..	1	
2	256-84714-61-00	. BULB (12V-27/8W)	2	
3	90480-14412-00	GROMMET	2	
4	90387-06028-00	COLLAR	2	
5	90119-06182-00	BOLT, WITH WASHER	2	
6	26H-84751-00-98	BRACKET, LICENSE	1	LOW GLOSS BLACK
7	97016-06016-00	BOLT	2	
8	92906-06100-00	WASHER, SPRING	2	
9	90201-06067-00	WASHER, PLATE	2	




4AH110-1450

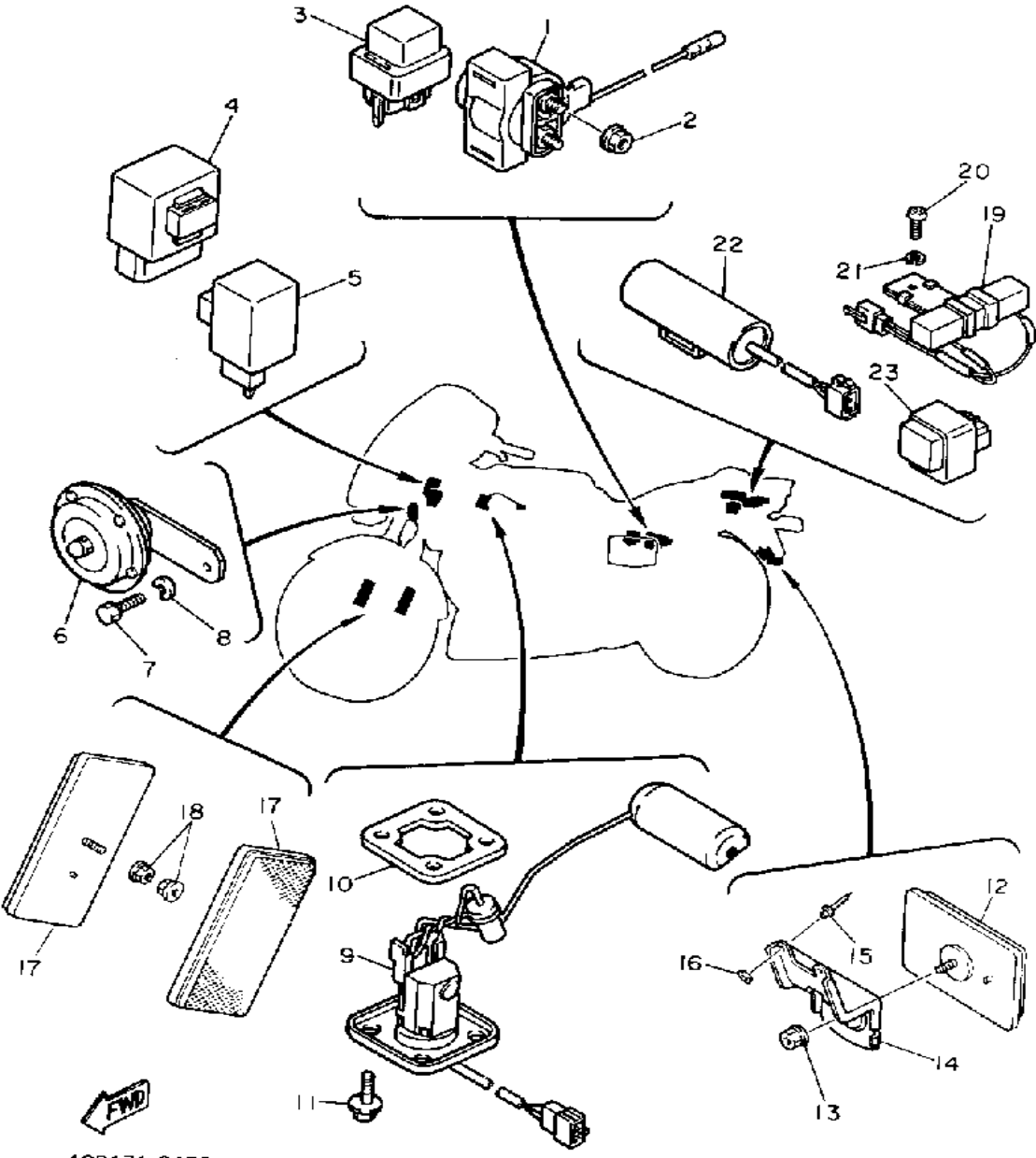
TURNSIGNAL



4AH110-1420

Ref. No.	Part Number	Description	Qty	Remarks
1	4AH-83310-00-00	FRT FLSHR LITE ASSEMBLYASSY 1	1	
2	256-84714-61-00	. BULB (12V-27/8W)	1	
3	3XW-83312-00-00	. LENS, FLASHER	1	
4	3XW-83313-00-00	. GASKET, FLSHR LENS	1	
5	97702-40120-00	. SCREW, TAPPING (3XW)	1	
6	4AH-83320-00-00	FRT FLSHR LITE ASSEMBLYASSY 2	1	
7	256-84714-61-00	. BULB (12V-27/8W)	1	
8	3XW-83322-00-00	. LENS, FLASHER 2	1	
9	3XW-83313-00-00	. GASKET, FLSHR LENS	1	
10	97702-40120-00	. SCREW, TAPPING (3XW)	1	
11	97780-50514-00	SCREW, tapping (97702-50614-00)	4	
12	1UF-83330-00-00	REAR FLASHER LIGHT ASSEMBLY 1	1	
13	51L-83342-01-00	. LENS, FLASHER 2	1	
14	256-83311-70-XX	. BULB, TS 12V27W	1	
15	97706-40620-00	. SCREW, TAPPING	1	
16	1UF-83340-00-00	FLASHER LIGHT ASSEMBLY 2	1	
17	51L-83332-01-00	. LENS, FLASHER	1	
18	256-83311-70-XX	. BULB, TS 12V27W	1	
19	97706-40620-00	. SCREW, TAPPING	1	
20	95706-12500-00	NUT, FLANGE	2	
21	36Y-83368-00-00	STAY, FLASHER	1	
22	36Y-83369-00-00	STAY, FLASHER	1	
23	95811-08012-00	BOLT, FLANGE	2	
24	18G-83365-00-00	CAP	2	

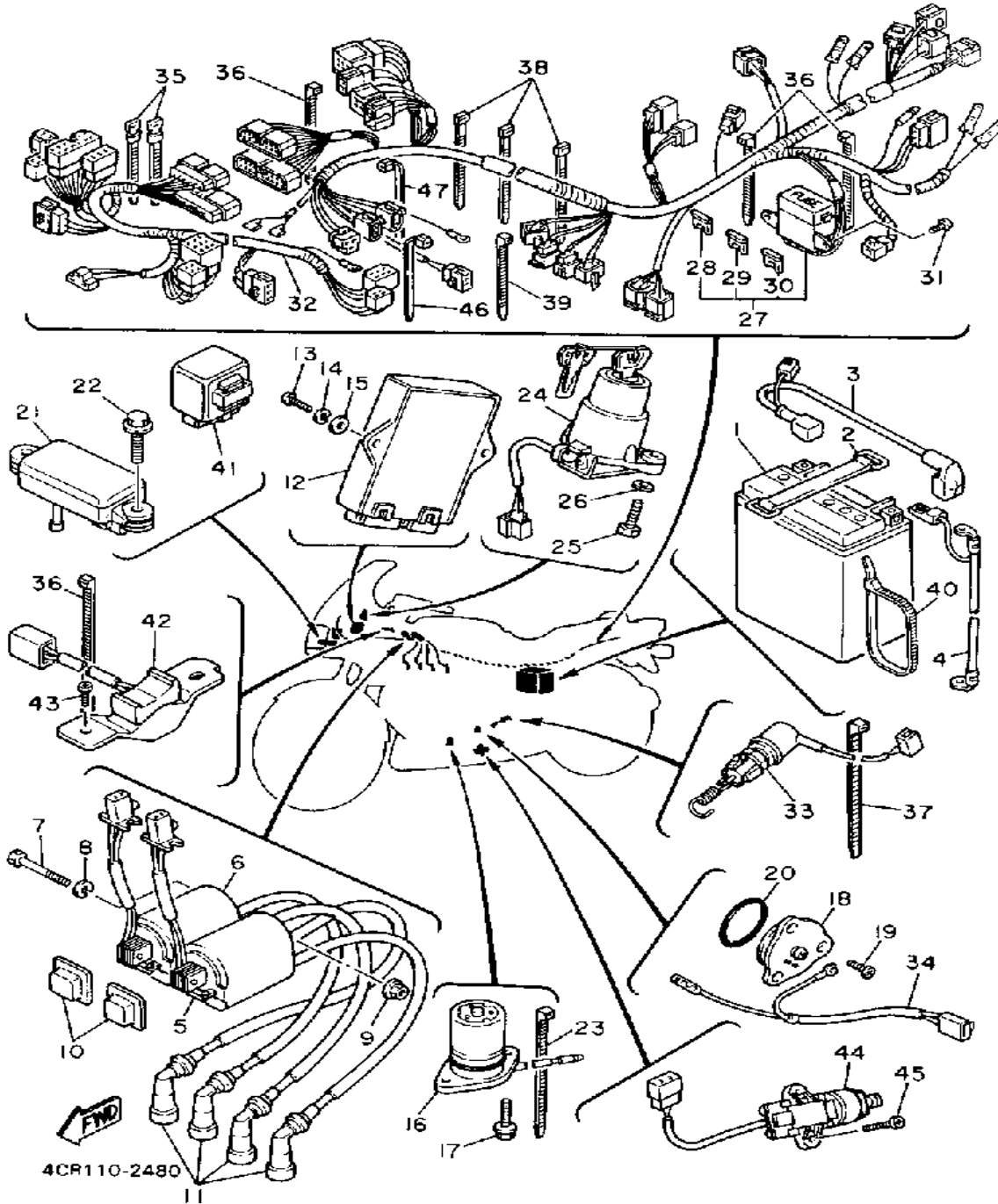
ELECTRICAL 1



4CR171-2470

Ref. No.	Part Number	Description	Qty	Remarks
1	36Y-81940-00-00	STARTER RELAY ASSEMBLY .	1	
2	95701-06500-00	NUT, FLANGE	2	
3	3YA-82150-00-00	FUSE HOLDER ASSEMBLY ...	1	
4	2UJ-81950-00-00	RELAY ASSEMBLY	1	
5	3YA-83350-00-00	FLASHER RELAY ASSEMBLY .	1	UR
	3YA-83350-10-00	FLASHER RELAY ASSEMBLY .	1	UR
6	4V8-83371-20-00	HORN	1	
7	97016-08016-00	BOLT	1	
8	92906-08100-00	WASHER, SPRING	1	
9	36Y-85752-03-00	SNDR UT ASSEMBLY, F/MTRFUEL METER	1	
10	5G3-85753-00-00	GASKET, SENDER UNIT	1	
11	90119-05071-00	BOLT, WITH WASHER	4	
12	3G1-85130-01-00	REAR REFLECTOR ASSEMBLY	1	
13	95701-05500-00	NUT, FLANGE	1	
14	47M-85132-00-00	BRACKET, REFLECTOR 1	1	
15	90267-32070-00	RIVET, BLIND	2	
16	92990-03200-00	WASHER, PLAIN	2	
17	11H-85110-01-00	REFLECTOR ASSEMBLY	2	
18	95701-05500-00	NUT, FLANGE	2	
19	3KS-85370-00-00	RESISTOR ASSEMBLY	1	
20	98580-06010-00	SCREW, PAN HEAD (92503-06010)	1	
21	92995-06100-00	WASHER, SPRING	1	
22	1NL-81965-00-00	CONDENSER, SMOOTHING ...	1	
23	25G-81950-01-00	RELAY ASSEMBLY	1	

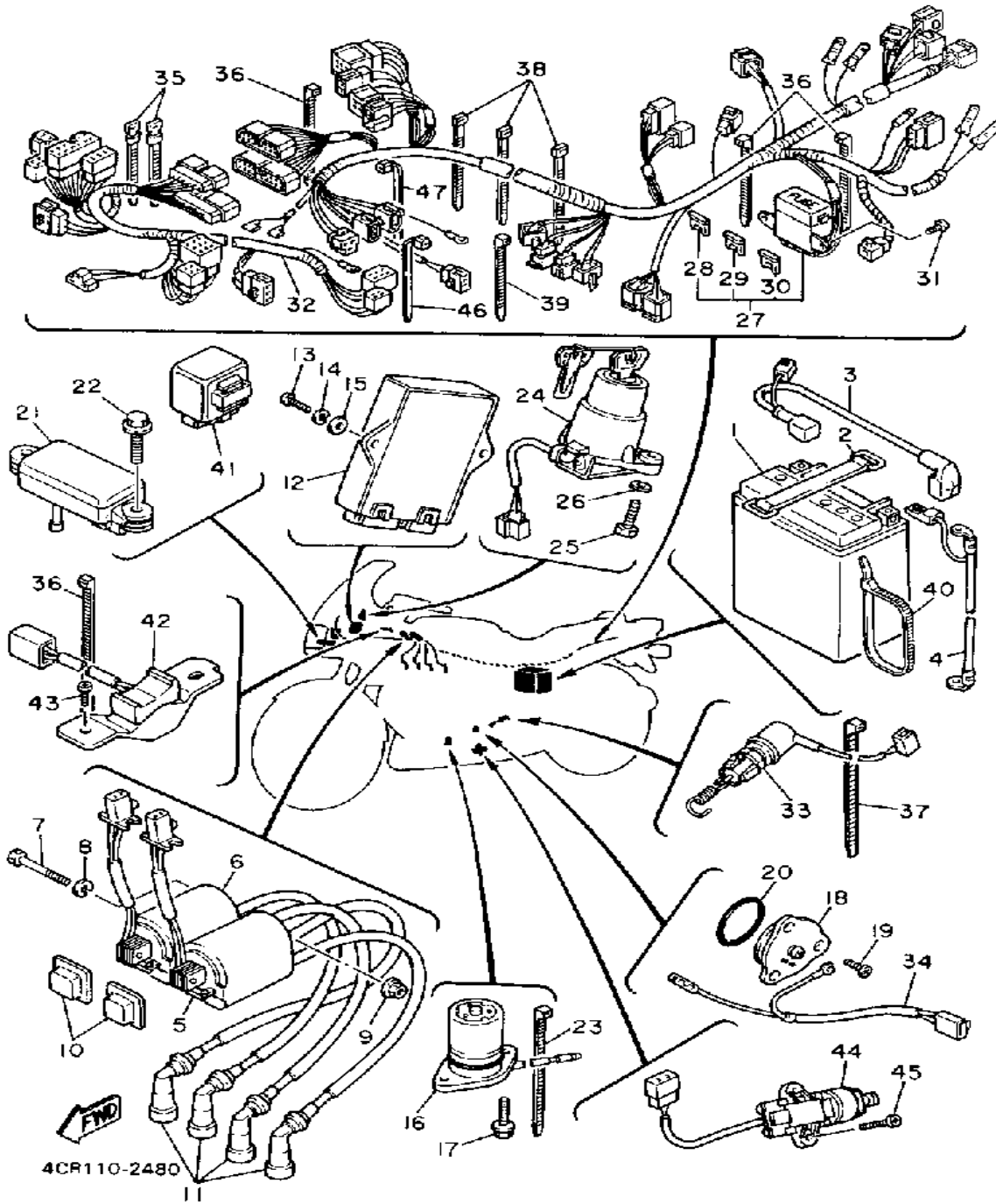
ELECTRICAL 2



Ref. No.	Part Number	Description	Qty	Remarks
1	BTY-YTX14-BS-00	BATTERY ASSEMBLY (3XW-82100-01-00)	1	
2	2T4-82131-00-00	BAND, BATTERY	1	
3	3XW-82115-00-00	WIRE, PLUS LEAD	1	
4	3XW-82116-00-00	WIRE, MINUS LEAD	1	
5	3CV-82310-00-00	IGNITION COIL ASSEMBLY	1	
6	3CV-82320-00-00	IGNITION COIL ASSEMBLY	1	
7	97313-06070-00	NUT (97301-06070)	1	
8	92995-06100-00	WASHER, SPRING	1	
9	95701-06500-00	NUT, FLANGE	1	
10	4U8-82317-00-00	DAMPER, IGNITION COIL	2	
11	1UY-82370-20-00	PLUG CAP ASSEMBLY	4	
12	3SK-82305-01-00	IGNITOR UNIT ASSEMBLY 1	1	
13	98503-06014-00	SCREW, PAN HEAD (92502-06016)	2	
14	92995-06100-00	WASHER, SPRING	2	
15	92990-06600-00	WASHER, PLATE	2	
16	4H7-85720-01-00	OIL LVL GAUGE ASSEMBLY	1	
17	95026-06016-00	BOLT, FLANGE	2	
18	1L9-82540-00-00	NEUTRAL SWITCH ASSEMBLY	1	
19	98701-05012-00	SCREW, FLAT HEAD	3	
20	93210-29196-00	O-RING	1	
21	22N-82380-10-00	SENSOR, PRESSURE	1	
22	90119-06096-00	BOLT, WITH WASHER	2	
23	90465-13169-00	CALMP	1	
24	3JV-82501-00-00	MAIN SWITCH STEERING LOCK	1	
25	97011-06016-00	BOLT	2	
26	92990-06600-00	WASHER, PLATE	2	
27	4CR-82590-00-00	WIRE HARNESS ASSEMBLY	1	

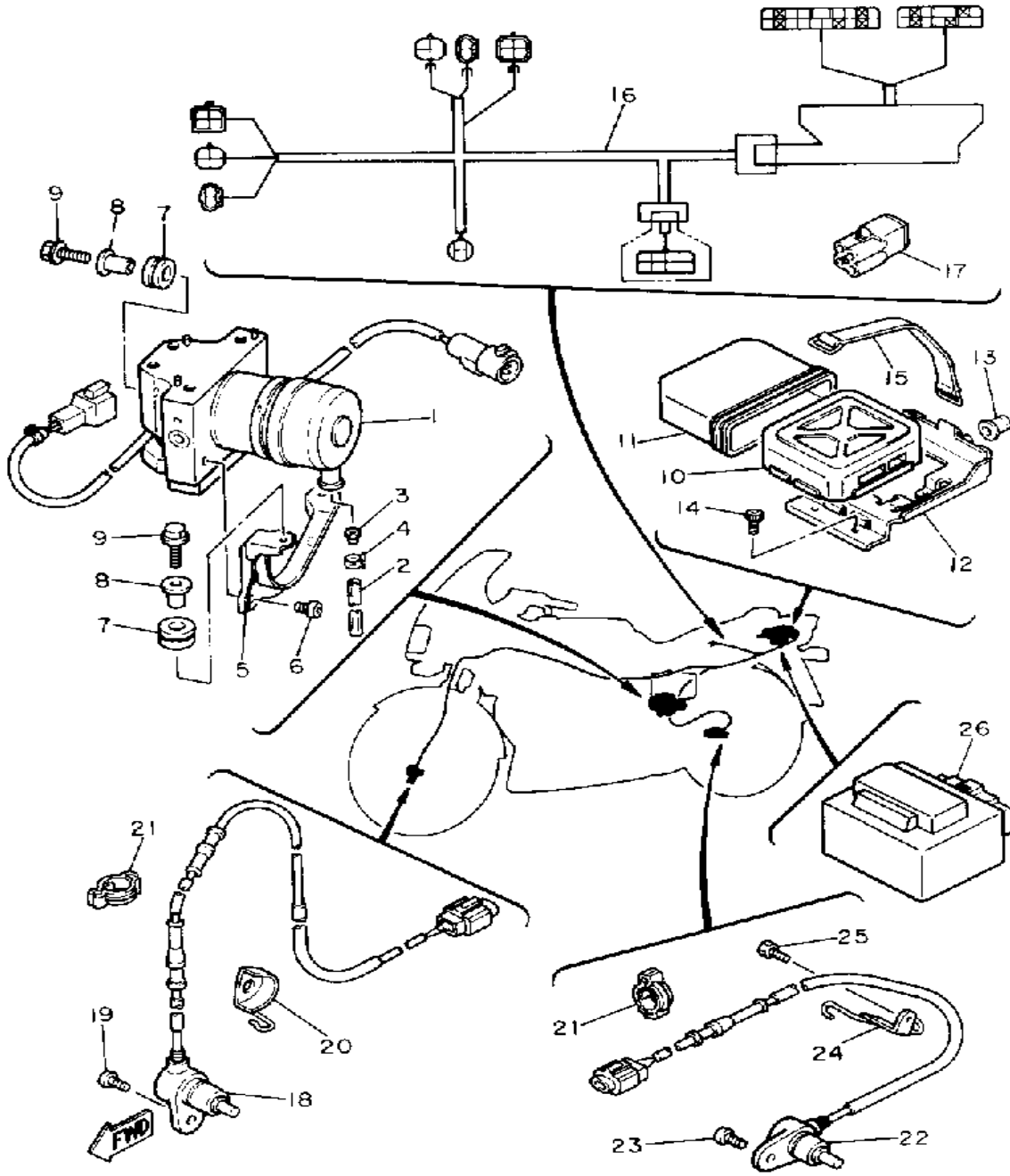
CONTINUED ON NEXT FRAME ►

ELECTRICAL 2



Ref. No.	Part Number	Description	Qty	Remarks
28	1AE-82151-00-00	. FUSE (30A-BL)	1	
29	36Y-82151-00-00	. FUSE (15A-BL)	2	
30	3XW-82151-00-00	. FUSE	3	
31	97701-50014-00	SCREW, TAPPING	2	
32	4CR-82580-00-00	WIRE HARNESS ASSEMBLY 2	1	
33	3YA-82530-00-00	STOP SWITCH ASSEMBLY	1	
34	3XW-82509-00-00	WIRE, SUB LEAD	1	
35	5Y9-12491-00-00	CLAMP 1	6	
36	90465-13169-00	CALMP	12	
37	90464-35132-00	CLAMP	1	
38	90464-14117-00	CLAMP	5	
39	90464-62085-00	CLAMP	1	
40	90464-20044-00	CLAMP	1	
41	42H-85740-00-00	CONTROL UNIT ASSEMBLY	1	FOR FUEL PUMP
42	3TJ-83964-00-00	SWITCH	1	
43	90154-05005-00	SCREW, BINDING	2	
44	3XW-82566-00-00	SWITCH, SIDE STAND	1	
45	90157-05079-00	SCREW, PAN HEAD	2	
46	90464-13073-00	CLAMP	2	
47	90464-13073-00	CLAMP	1	

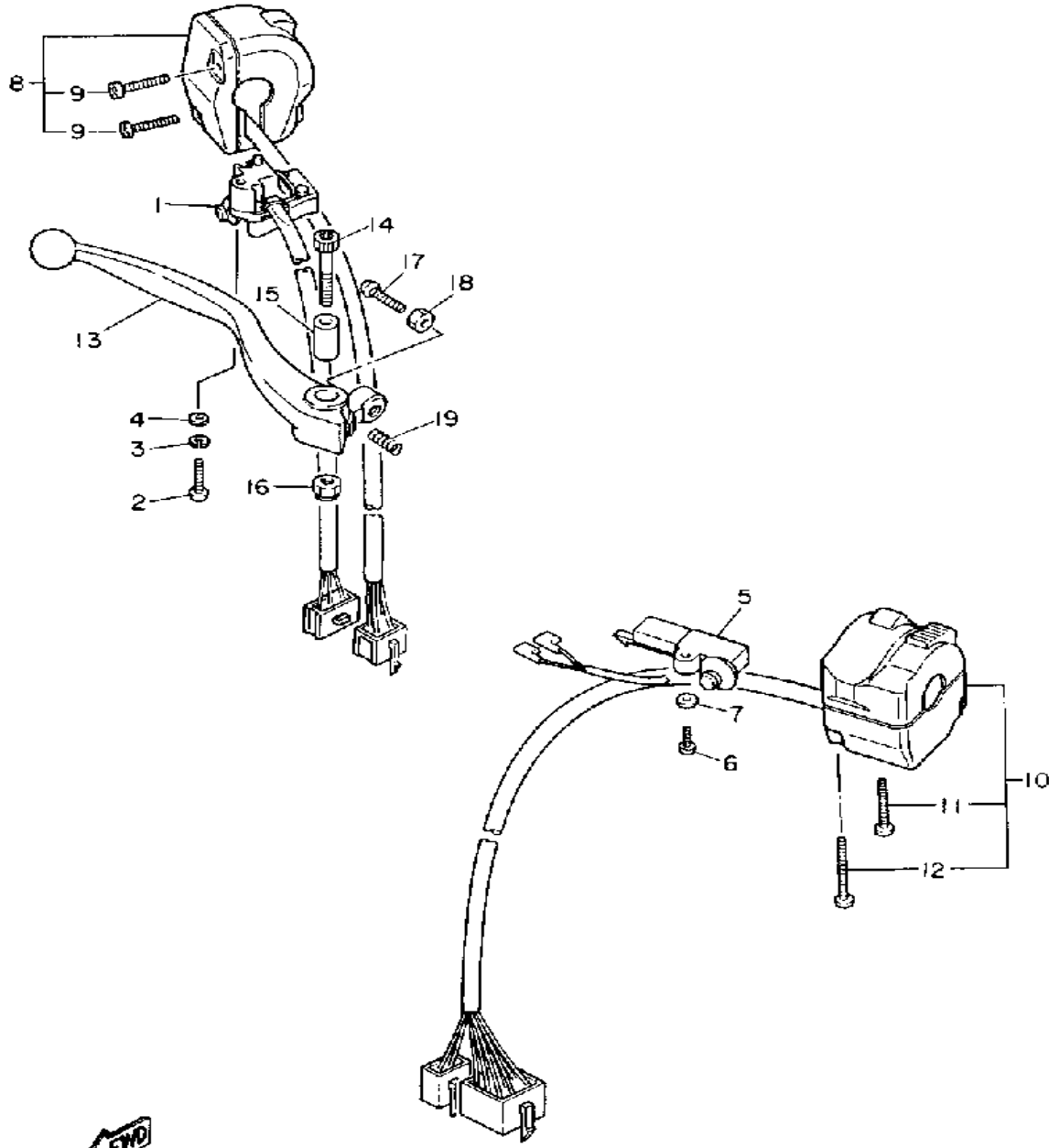
ELECTRICAL 3



3YA2332-1490

Ref. No.	Part Number	Description	Qty	Remarks
1	3YA-85930-00-00	HYDRAULIC UNIT ASSEMBLY	1	
2	90445-10140-00	HOSE	1	
3	90387-040A9-00	COLLAR	1	
4	90467-13123-00	CLIP	1	
5	3YA-2142G-00-00	STAY 1	1	
6	92016-08012-00	SCREW	2	
7	90480-20338-00	GROMMET	3	
8	90387-081F5-00	COLLAR	3	
9	95821-08025-00	BOLT, FLANGE	3	
10	3YA-85940-00-00	ELECTRONIC CONTROL UNIT ASSEMBLY	1	
11	3YA-8552E-00-00	COVER CASE	1	
12	3YA-21653-00-00	BOX	1	
13	3Y6-21746-00-00	DAMPER	1	
14	91312-06010-00	BOLT	2	
15	26H-82131-00-00	BAND, BATTERY	1	
16	3YA-85950-00-00	WIRE HARNESS ASSEMBLY	1	
17	3YA-82378-00-00	CONNECTOR	1	
18	3YA-85970-00-00	WHEEL SENSOR ASSEMBLY FRONT	1	
19	90149-08297-00	SCREW	1	
20	3YA-23317-00-00	HOLDER, CABLE	1	
21	90465-14310-00	CLAMP	4	
22	3YA-85980-00-00	WHEEL SENSOR ASSEMBLY REAR	1	
23	90149-08297-00	SCREW	1	
24	3YA-23318-00-00	HOLDER, CABLE 1	1	
25	95023-06012-00	BOLT, FLANGE	1	
26	3YA-81950-00-00	RELAY ASSEMBLY	1	

HANDLE SWITCH - LEVER



Ref. No.	Part Number	Description	Qty	Remarks
1	3YA-83980-00-00	STOP SWITCH ASSEMBLY	1	
2	98506-04030-00	SCREW, PAN HEAD	1	
3	92906-04100-00	WASHER, SPRING	1	
4	92906-04600-00	WASHER, PLATE	1	
5	3XW-82917-00-00	SWITCH	1	
6	98506-04018-00	SCREW, PAN HEAD	1	
7	92906-04600-00	WASHER, PLATE	1	
8	3YA-83975-00-00	SWITCH, HANDLE 2	1	
9	90157-05057-00	. SCREW, PANHEAD	2	
10	4AH-83973-00-00	SWITCH, HANDLE 3	1	
11	98506-05030-00	. SCREW, PAN HEAD	1	
12	98506-05040-00	. SCREW, PAN HEAD	1	
13	3YA-83922-00-00	LEVER R	1	
14	90110-06074-00	BOLT, HEXAGON SOCKET HEAD	1	
15	36Y-83913-01-00	COLLAR, LEVER 1	1	
16	95616-06100-00	NUT, U	1	
17	90149-06153-00	SCREW, SPEC'L SHAPE	1	
18	90170-06010-00	NUT	1	
19	90501-10312-00	SPRING, COMPRESSION	1	

FWD
4CR171-2460